

quality . service
innovation . integrity

Model 49



"The color green is a registered trademark of Zoeller Pump Co."

Features

The Water Ridd'r III model submersible pump is designed for use in residential or light commercial dewatering applications and can be used to transfer groundwater or effluent. The pump includes a cast iron motor housing with a corrosion-resistant, baked-on enamel finish and is designed to provide great heat dissipation from the motor, ensuring a long service life. As with every Zoeller pump, each one is 100% pressure-tested, submerged and run to ensure quality and reliability for years of trouble-free performance! This attention to detail is an inherent feature of every pump, making it one of the most reliable in the industry.

- Includes a tethered, float-operated mechanical switch.
- Includes a plastic carrying handle for easy transport.
- Hermetically sealed to be watertight, dust-tight, and completely submersible.

Reserve Powered Design: For unusual conditions, a reserve safety factor is engineered into the design of every pump.

Specifications

Motor Characteristics

Motor	1/4 HP
Voltage	115 V
Phase	1 Ph
Hertz	60 Hz
RPM	3450 RPM
Type	Permanent split capacitor
Insulation	Class B
Amps	4.0 Amps

Pump Characteristics

Operation	Automatic
Auto On/ Off Points	11-1/4" / 4-1/8" (28.6 cm / 10.5 cm)
Discharge Size	1-1/2" NPT
Solids Handling	3/8" (9.5 mm) spherical solids
Cord Length	10' (3 m) standard
Cord Type	UL listed, 3-wire cord and plug
Max Head	18' (5.5 m)
Max Flow Rate	32 GPM (121 LPM)
Max Operating Temp	104 °F (40 °C)
Cooling	Oil filled
Motor Protection	Auto reset thermal overload

Materials Characteristics

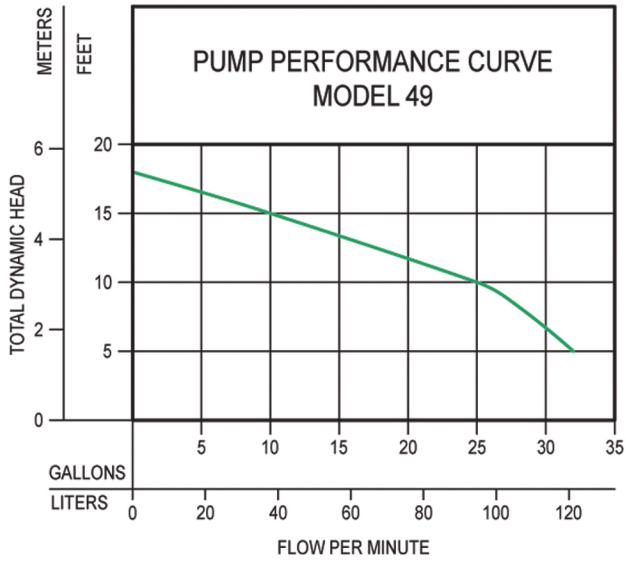
Cap	Engineered plastic
Motor Housing	Cast iron
Pump Housing	Engineered plastic
Base	Engineered plastic
Upper Bearing	Ball bearing
Lower Bearing	Ball bearing
Mechanical Seals	Carbon and ceramic
Impeller Type	Non-clogging vortex
Impeller	Engineered plastic
Hardware	Stainless steel
Gasket	NBR



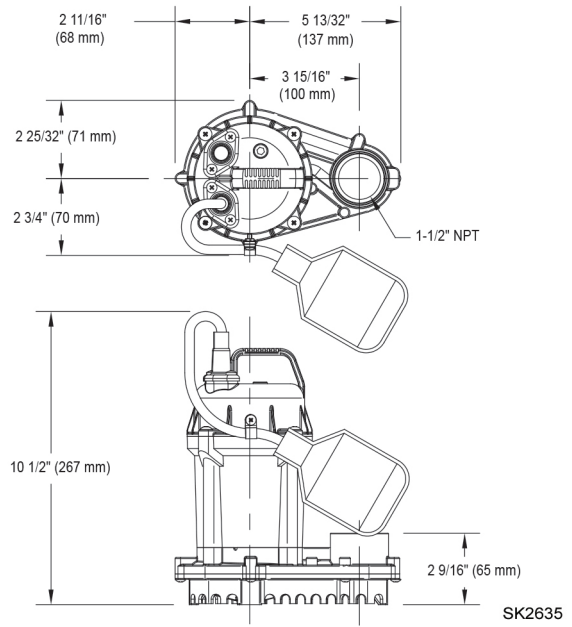
PUMP COMPANY

Zoeller Family of Water Solutions™

Model 49



018141



Model

Model Number	Seal	Mode	Volts	Phase	Amps	HP	Lbs	Kg
WM49	Single	Auto	115	1	4.0	1/4	11	5

Optional pump stand (P/N 10-2421) available. The stand, made of durable, non-corrosive ABS, attaches securely to the pump and is intended to reduce clogging by debris, eliminate the need for bricks or blocks under the pump, and provide the ability to raise the intake by adding sections of 1-1/2" or 2" (DN40 or DN50) PVC.

Your Peace of Mind is Our Top Priority®
3649 Cane Run Rd | Louisville, KY 40211 USA

+1 502-778-2731 | 1-800-928-7867 | Fax: +1 502-774-3624

www.zoeller.com