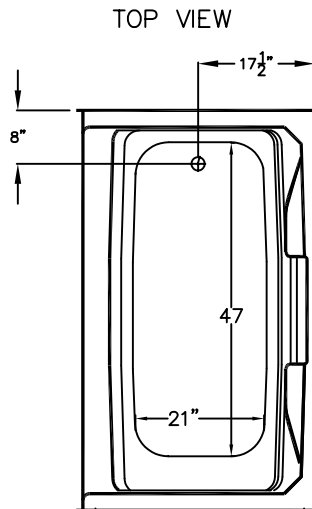
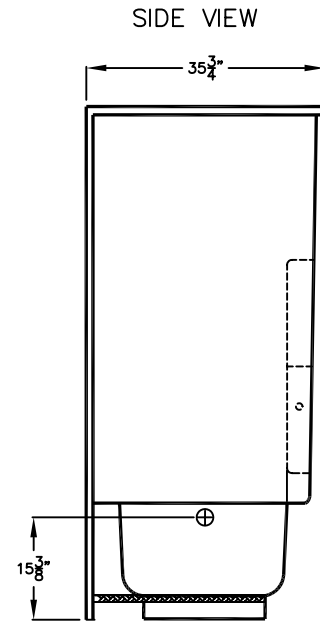
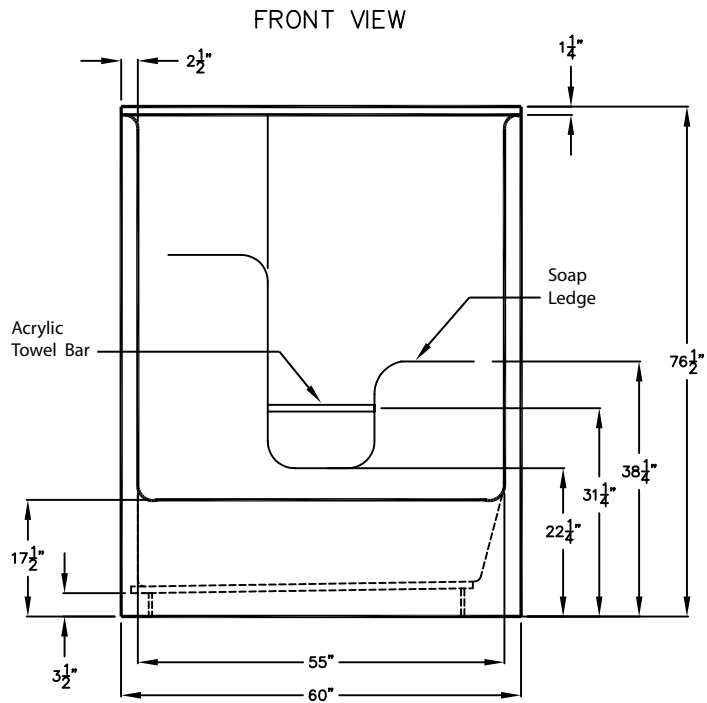


# LUXURY GELCOAT SERIES

SUBMITTAL DATA © 2004



Great new design of this five foot tub shower featuring three molded soap ledges and an acrylic towel bar. Available as a whirlpool.

Left and right handed units available.

Unit complies with ANSI Z124.1-2, NAHB, and UPC.

DUE TO THE NATURE OF THE MATERIALS DIMENSIONS MAY VARY ± 1/2"

Job Name:		AQUARIUS	
Model No.:G 6063 TS		Drawing#: G 6063 TS	
Approved by:	Date Approved:	Date: 12-18-03	Revised: 7-7-11
Rep.:	Wholesaler:	Quote No.:	

PRAXIS INDUSTRIES, LLC.  
 ROUTE 1, BOX 46D - SAVANNAH, TN 38372  
 1 (800) 443-7269 - FAX (731) 925-4290