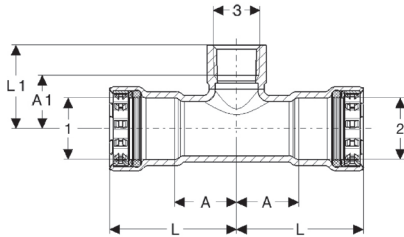


Submittal Package

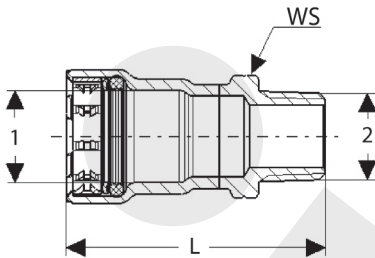


Steel Reducing Tee P x P x FPT - Models 4817.2 / 6617.2



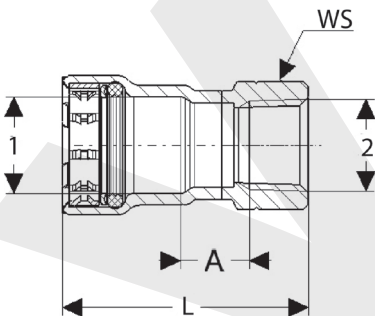
Part No.		Size	A (in)	A1 (in)	L (in)	L1 (in)
MegaPress	MegaPressG	1 2 3				
25405	25406	3/4" x 3/4" x 1/2"	1 1/8	1	2 1/4	1 1/2
25480	25481	3/4" x 3/4" x 3/4"	1 1/8	1 1/8	2 1/4	1 5/8
25410	25411	1" x 1" x 1/2"	1 1/4	1 1/8	2 5/8	1 5/8
25415	25416	1" x 1" x 3/4"	1 1/4	1 1/8	2 5/8	1 5/8
25485	25486	1 1/4" x 1 1/4" x 1/2"	1 3/8	1 3/8	3 1/4	1 7/8
25435	25436	1 1/2" x 1 1/2" x 1/2"	1 9/16	1 7/16	3 7/16	2
25440	25441	1 1/2" x 1 1/2" x 3/4"	1 9/16	1 7/16	3 7/16	2
25445	25446	1 1/2" x 1 1/2" x 1"	1 9/16	1 9/16	3 7/16	2 1/4
25450	25451	1 1/2" x 1 1/2" x 1 1/4"	1 9/16	1 7/16	3 7/16	2 1/4
25455	25456	2" x 2" x 1/2"	1 3/4	1 5/8	3 3/4	2 1/8
25460	25461	2" x 2" x 3/4"	1 3/4	1 5/8	3 3/4	2 1/4
25465	25466	2" x 2" x 1"	1 3/4	1 7/8	3 3/4	2 1/2
25470	25471	2" x 2" x 1 1/4"	1 3/4	1 3/4	3 3/4	2 7/16
25475	25476	2" x 2" x 1 1/2"	1 3/4	1 3/4	3 3/4	2 7/16

Steel Adapter P x MPT - Models 4811 / 6611



Part No.		Size	L (in)	WS (in)
MegaPress	MegaPressG	1 2		
25100	25101	1/2" x 1/2"	2 1/2	1 1/8
25105	25106	3/4" x 3/4"	2 5/8	1 1/4
25110	25111	1" x 1"	2 7/8	1 5/8
25115	25116	1 1/4" x 1 1/4"	3 5/8	1 3/4
25120	25121	1 1/2" x 1 1/2"	3 3/4	2 1/8
25125	25126	2" x 2"	3 7/8	2 3/4

Steel Adapter P x FPT - Models 4812 / 6612



Part No.		Size	A (in)	L (in)	WS (in)
MegaPress	MegaPressG	1 2			
25130	25131	1/2" x 1/2"	5/8	2 1/4	1 1/8
25135	25136	3/4" x 3/4"	5/8	2 3/8	1 1/4
25140	25141	1" x 1"	5/8	2 5/8	1 5/8
25145	25146	1 1/4" x 1 1/4"	3/4	3 1/4	1 3/4
25150	25151	1 1/2" x 1 1/2"	3/4	3 3/8	2 1/8
25155	25156	2" x 2"	3/4	3 3/8	2 3/4