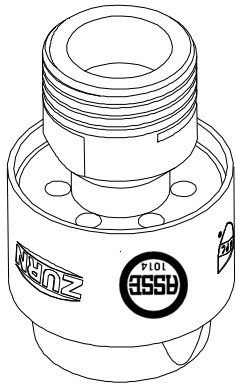




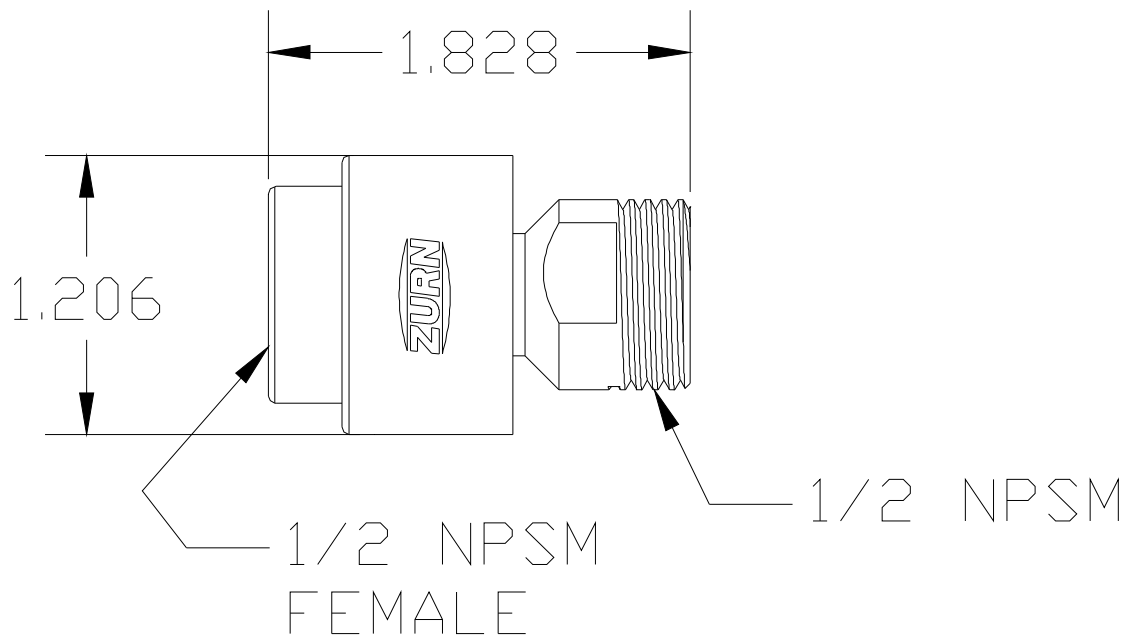
IN-LINE VACUUM BREAKER

Z7000-VB

TAG _____



ENGINEERING SPECIFICATIONS: The ZURN Z7000-VB In-line Vacuum Breaker is designed to work with the ZURN Handwall Shower Hose. The body is manufactured in brass w/hard chrome finish. The inlet and outlet are 1/2-14NPSM threads.



Operating Pressure Range; 20-125 psi
Operating Temperature Range; 40-160° F

Note: All dimensions are for reference only. Do not use for pre-plumbing

OPTIONAL ACCESSORIES

Suffix Description
No Options Required

STANDARDS

Listed to ASSE 1014
IAPMO listed to UPC



ZURN INDUSTRIES, LLC. ♦ COMMERCIAL BRASS OPERATION ♦ 5900 ELWIN BUCHANAN DRIVE ♦ SANFORD NC 27330

Phone: 1-800-997-3876 ♦ Fax: 919-775-3541 ♦ World Wide Web: www.zurn.com

In Canada: ZURN INDUSTRIES LIMITED ♦ 3544 Nashua Drive ♦ Mississauga, Ontario L4V1L2 ♦ Phone: 905-405-8272 Fax: 905-405-1292

AquaSpec® is a registered trademark of Zurn Industries, LLC.

Rev. E
Dwg. No. 66208

Date: 1/29/13
Product No. Z7000-VB