



# RPRL

Parts List  
02-October-2017



*This parts list is current as of the above revision date.  
See <http://www.rheempartslists.net/92-42800-RPRL.pdf> for the current revision.*

Heat Pumps

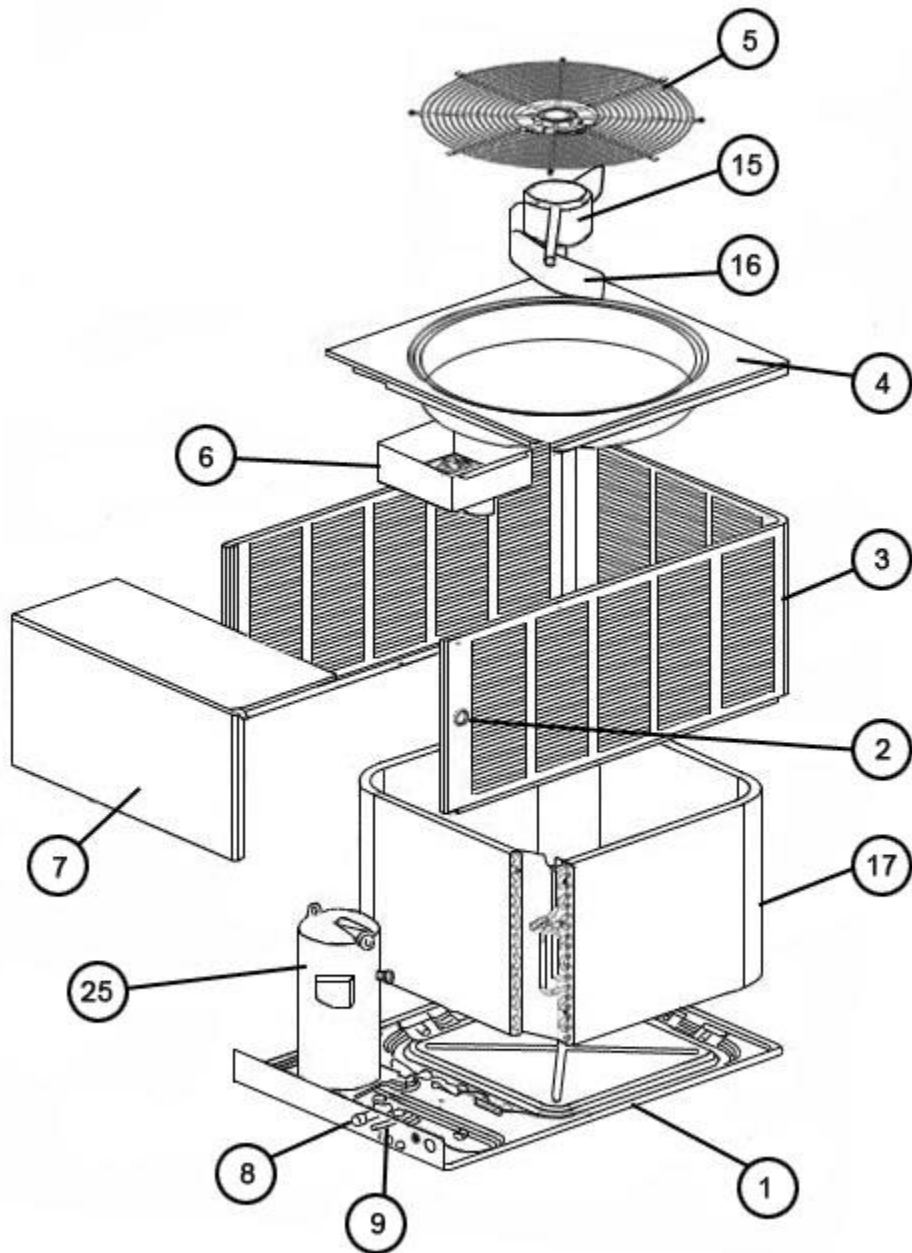
| No.                     | Notes | MODEL<br>COOLING CAPACITY<br>VARIATION               | RPRL<br>-024<br>JEZ  | RPRL<br>-036<br>JEZ | RPRL<br>-048<br>JEZ | RPRL<br>-060<br>JEZ |
|-------------------------|-------|--|----------------------|---------------------|---------------------|---------------------|
| <b>ELECTRICAL GROUP</b> |       |  |                      |                     |                     |                     |
| CONTROL BOX COMPONENTS: |       |  |                      |                     |                     |                     |
| 10                      | Stk,2 | Defrost Control Board                                | 47-21517-16          | 47-21517-16         | 47-21517-16         | 47-21517-16         |
| 11                      | Stk   | Control Board  | 47-102090-02         | 47-102090-02        | 47-102090-02        | 47-102090-02        |
|                         | Stk,2 | Defrost Sensor - On or After Date Code 2008          | 47-102710-01         | 47-102710-01        | 47-102710-01        | 47-102710-01        |
|                         | Stk,2 | Ambient Sensor - On or After Date Code 2008          | 47-102709-01         | 47-102709-01        | 47-102709-01        | 47-102709-01        |
| 12                      |       | Capacitor - Compressor Run                           | See Compressor Group |                     |                     |                     |
| 13                      |       | Start Relay  | See Compressor Group |                     |                     |                     |
| 14                      |       | Capacitor - Compressor Start                         | See Compressor Group |                     |                     |                     |
| 26                      |       | Crankcase Heater with Control (CHC)                  | See Compressor Group |                     |                     |                     |
| 27                      |       | Isolation Relay - Defrost Control                    | 42-23114-06          | 42-23114-06         | 42-23114-06         | 42-23114-06         |
| 28                      |       | Ground Lug   | 45-19000-01          | 45-19000-01         | 45-19000-01         | 45-19000-01         |
|                         | 1     | Wiring Harness - Fan Motor (See Note 1)              | See Fan Group        |                     |                     |                     |
|                         | 1     | Wiring Harness - Compressor Molded Plug (See Note 1) | See Compressor Group |                     |                     |                     |

| No.                     | Notes | MODEL<br>COOLING CAPACITY<br>VARIATION                  | RPRL<br>-024<br>JEC  | RPRL<br>-025<br>JEC | RPRL<br>-036<br>JEC | RPRL<br>-037<br>JEC |
|-------------------------|-------|---|----------------------|---------------------|---------------------|---------------------|
| <b>ELECTRICAL GROUP</b> |       |   |                      |                     |                     |                     |
| CONTROL BOX COMPONENTS: |       |   |                      |                     |                     |                     |
|                         |       | Control - Identity EEPROM                               | 47-102738-91         | 47-102738-95        | 47-102738-92        | 47-102738-96        |
| 11                      | Stk   | Control Board - Two Stage (Before Date Code W2610)      | 47-102090-05         | 47-102090-10        | 47-102090-05        | 47-102090-10        |
| 11                      | Stk   | Control Board - Two Stage (On or After Date Code W2610) | 47-102090-09         | 47-102090-10        | 47-102090-09        | 47-102090-10        |
|                         | Stk   | Defrost Sensor  | 47-102710-01         | 47-102710-01        | 47-102710-01        | 47-102710-01        |
|                         | Stk   | Ambient Sensor  | 47-102709-01         | 47-102709-01        | 47-102709-01        | 47-102709-01        |
| 12                      |       | Capacitor - Compressor Run                              | See Compressor Group |                     |                     |                     |
| 13                      |       | Start Relay   | See Compressor Group |                     |                     |                     |
| 14                      |       | Capacitor - Compressor Start                            | See Compressor Group |                     |                     |                     |
|                         |       | Crankcase Heater  | See Compressor Group |                     |                     |                     |
| 28                      |       | Ground Lug  | 45-19000-01          | 45-19000-01         | 45-19000-01         | 45-19000-01         |
|                         | 1     | Wiring Harness - Fan Motor (See Note 1)                 | See Fan Group        |                     |                     |                     |
|                         | 1     | Wiring Harness - Compressor Molded Plug (See Note 1)    | See Compressor Group |                     |                     |                     |

| No.                     | Notes | MODEL<br>COOLING CAPACITY<br>VARIATION                  | RPRL<br>-048<br>JEC  | RPRL<br>-049<br>JEC | RPRL<br>-060<br>JEC | RPRL<br>-061<br>JEC |
|-------------------------|-------|---|----------------------|---------------------|---------------------|---------------------|
| <b>ELECTRICAL GROUP</b> |       |   |                      |                     |                     |                     |
| CONTROL BOX COMPONENTS: |       |   |                      |                     |                     |                     |
|                         |       | Control - Identity EEPROM                               | 47-102738-93         | 47-102738-97        | 47-102738-94        | 47-102738-98        |
| 11                      | Stk   | Control Board - Two Stage (Before Date Code W2610)      | 47-102090-05         | 47-102090-10        | 47-102090-05        | 47-102090-10        |
| 11                      | Stk   | Control Board - Two Stage (On or After Date Code W2610) | 47-102090-09         | 47-102090-10        | 47-102090-09        | 47-102090-10        |
|                         | Stk   | Defrost Sensor  | 47-102710-01         | 47-102710-01        | 47-102710-01        | 47-102710-01        |
|                         | Stk   | Ambient Sensor  | 47-102709-01         | 47-102709-01        | 47-102709-01        | 47-102709-01        |
| 12                      |       | Capacitor - Compressor Run                              | See Compressor Group |                     |                     |                     |
| 13                      |       | Start Relay   | See Compressor Group |                     |                     |                     |
| 14                      |       | Capacitor - Compressor Start                            | See Compressor Group |                     |                     |                     |
|                         |       | Crankcase Heater  | See Compressor Group |                     |                     |                     |
| 28                      |       | Ground Lug  | 45-19000-01          | 45-19000-01         | 45-19000-01         | 45-19000-01         |
|                         | 1     | Wiring Harness - Fan Motor (See Note 1)                 | See Fan Group        |                     |                     |                     |
|                         | 1     | Wiring Harness - Compressor Molded Plug (See Note 1)    | See Compressor Group |                     |                     |                     |

| No.              | Notes | MODEL<br>COOLING CAPACITY<br>VARIATION  | RPRL<br>-024<br>JEZ/JEC | RPRL<br>-025<br>JEC | RPRL<br>-036<br>JEZ/JEC | RPRL<br>-037<br>JEC |
|------------------|-------|---|-------------------------|---------------------|-------------------------|---------------------|
| <b>FAN GROUP</b> |       |   |                         |                     |                         |                     |
| 15               | Stk   | Fan Motor                               | 51-101548-04            | 51-102728-04        | 51-101548-05            | 51-102728-05        |
| 16               | Stk   | Fan Blade                               | 70-21858-17             | 70-104092-01        | 70-21858-17             | 70-104092-01        |
|                  | 1     | Wiring Harness - Fan Motor (See Note 1) | 45-102122-01            | 45-102122-01        | 45-102122-01            | 45-102122-01        |

| No.              | Notes | MODEL<br>COOLING CAPACITY<br>VARIATION  | RPRL<br>-048<br>JEZ/JEC | RPRL<br>-049<br>JEC | RPRL<br>-060<br>JEZ/JEC | RPRL<br>-061<br>JEC |
|------------------|-------|---|-------------------------|---------------------|-------------------------|---------------------|
| <b>FAN GROUP</b> |       |   |                         |                     |                         |                     |
| 15               | Stk   | Fan Motor                               | 51-101548-06            | 51-102728-06        | 51-101548-07            | 51-102728-07        |
| 16               | Stk   | Fan Blade                               | 70-21858-17             | 70-104092-01        | 70-21858-17             | 70-104092-01        |
|                  | 1     | Wiring Harness - Fan Motor (See Note 1) | 45-102122-01            | 45-102122-01        | 45-102122-02            | 45-102122-02        |



Exploded View