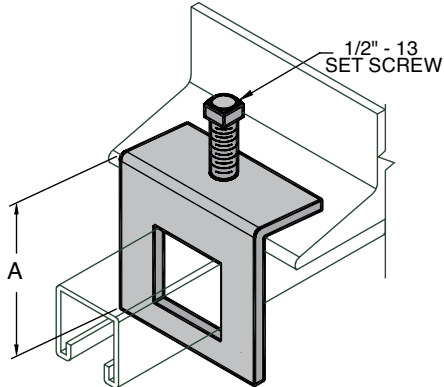


AS 855 EG, GR

ANGULAR "I" BEAM CLAMP

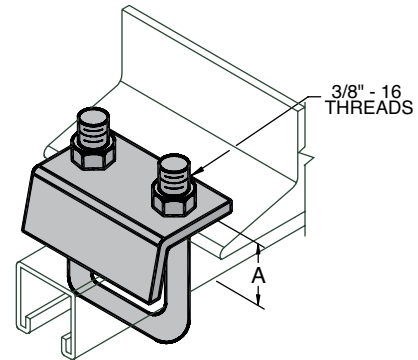


Catalog No.	Use With	A	Load Rating	Wt./100 Pcs.
AS 855 1	AS 200, AS210	3½"	500	107
AS 855 2	AS 500	2¹¹⁄₁₆"	500	98

Std Pkg 25 - Wt/100 pcs: See chart above.

AS 2651 EG, ZTC

BEAM CLAMP

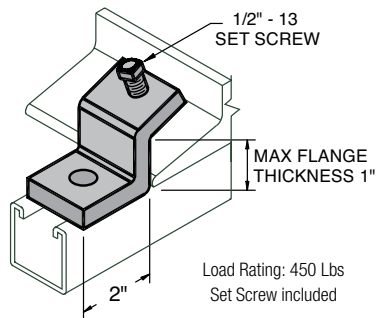


Catalog No.	A	Load Rating	Wt./100 Pcs.
AS 2651 T1	3"	1000 Lbs	89
AS 2651 T2	5"	—	92

Std Pkg 25 - Wt/100 pcs: See chart above.

AS 685 EG, GR

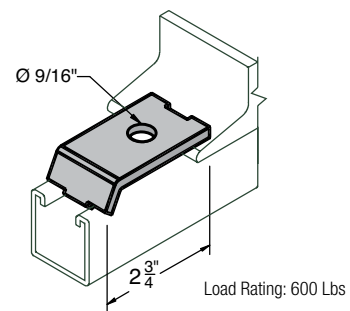
BEAM CLAMP



Std Pkg 20 - Wt/100 pcs: 66 Lbs.

AS 686 EG, GR

BEAM CLAMP



Std Pkg 50 - Wt/100 pcs: 30 Lbs.

LEGEND:

GR: Powder Coated Supr-Green **EG:** Electro-Galvanized **PG:** Pre-Galvanized **AL:** Aluminum **HG:** Hot Dipped Galvanized **PL:** Plain **SS:** Stainless Steel **ZTC:** Zinc Trivalent Chromium
Stainless Steel (**SS**), Zinc Trivalent Chromium (**ZTC**) and Hot Dipped Galvanized (**HG**) are specialty finishes. Pricing is located in the Specialty Strut Section of the Anvil-Strut price book.

PROJECT INFORMATION		APPROVAL STAMP	
Project:		<input type="checkbox"/> Approved	
Address:		<input type="checkbox"/> Approved as noted	
Contractor:		<input type="checkbox"/> Not approved	
Engineer:		Remarks:	
Submittal Date:			
Notes 1:			
Notes 2:			