



Buy it for looks. Buy it for life.®

# Specifications

## DESCRIPTION

- Brass construction
- 1/2" IPS connections
- Pressure balancing, four port, cycle valve
- Includes pre-installed test plug (cartridge also included inside carton)
- Allows valve to be soldered, pressure-tested, and flushed without damaging the cartridge

## OPERATION

- Adjustable temperature limit stop to control maximum hot water temperature
- Pressure balancing mechanism maintain selected discharge temperature to  $\pm 3^\circ\text{F}$

## CARTRIDGE

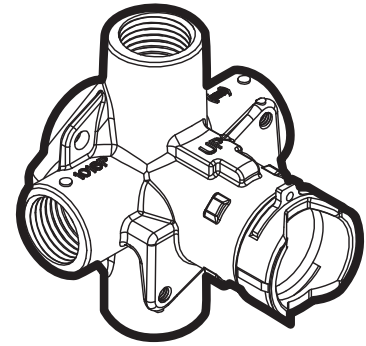
- 1222 cartridge design
- Nonmetallic/nonferrous and stainless steel materials
- Accommodates back to back installations

## STANDARDS

- Third party certified to meet ASME A112.18.1/CSA B125.1, ASSE1016, and all applicable requirements referenced therein
- Moen's Posi-Temp® and Moentrol® valves with graphite composite spools combined with Moen's Eco-performance showerheads meet the performance requirements of pressure and temperature variation of ASSE1016 when tested as low as 1.5 gpm

## WARRANTY

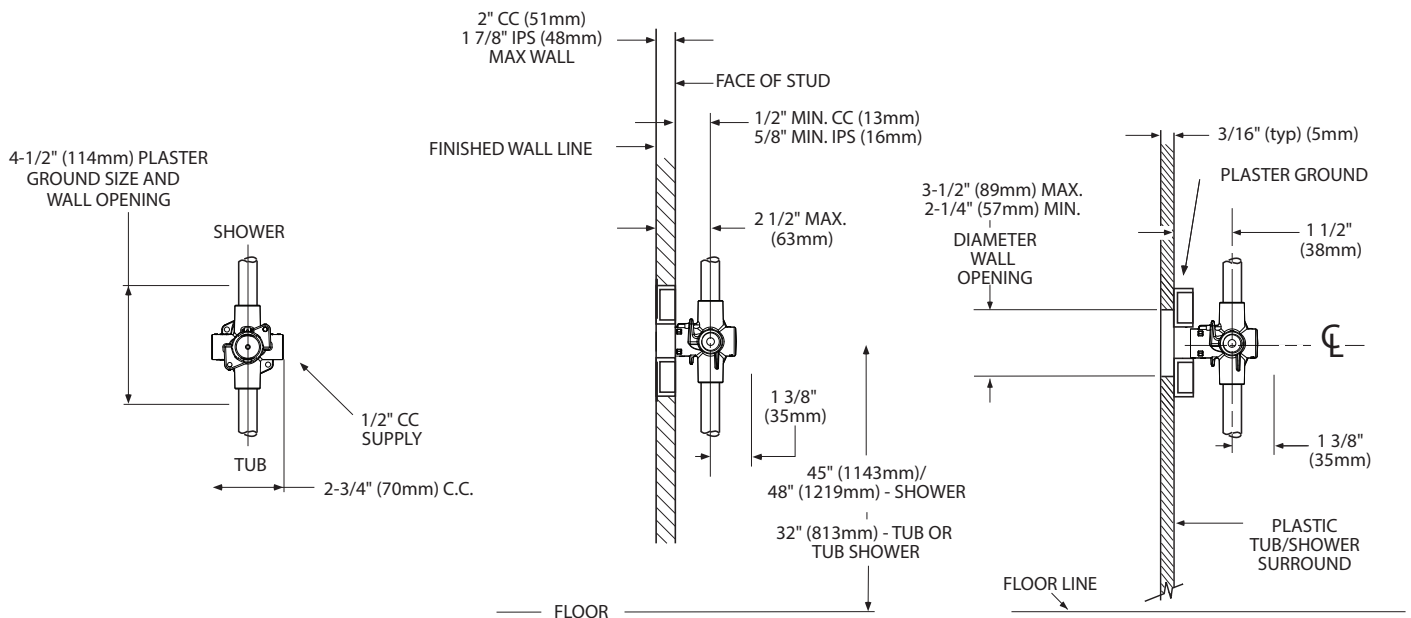
- Lifetime limited warranty against leaks, drips and finish defects to the original consumer purchaser
- 5 year warranty if used in commercial installations



## POSI-TEMP® VALVE Pressure-Balancing Valve

**Model:** 2510 (IPS), 2520 (CC), single pack

**62300 (IPS)(Bulk packed 12 per carton)**



## CRITICAL DIMENSIONS

(DO NOT SCALE)