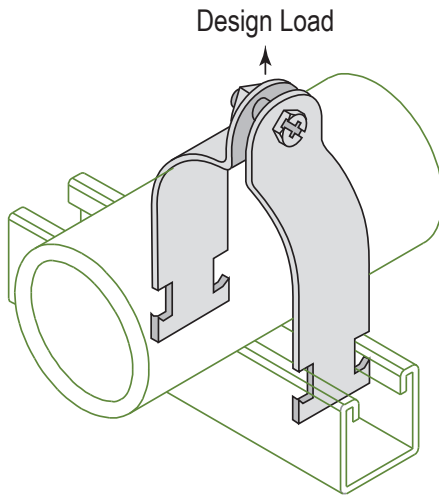


**Available Finishes / Materials:**

- AL -- Aluminum
- EG -- Electro-galvanized
- HD -- Hot dipped galvanized
- PV -- PVC Coated
- S4 -- 304 stainless steel
- S6 -- 316 stainless steel
- YC -- Yellow chromate

Standard Finish: EG



Catalog Number	Pipe Size		O.D.		Design Load		Wt. lbs
	in	mm	in	mm	lbs	kN	
SCR0025EG	¼	6	0.540	13.7	400	1.78	0.09
SCR0037EG	⅜	10	0.675	17.1	400	1.78	0.09
SCR0050EG	½	15	0.840	21.3	400	1.78	0.10
SCR0075EG	¾	20	1.050	26.7	600	2.67	0.13
SCR0100EG	1	25	1.315	33.4	600	2.67	0.15
SCR0125EG	1¼	32	1.660	42.2	600	2.67	0.17
SCR0150EG	1½	40	1.900	48.3	800	3.56	0.29
SCR0200EG	2	50	2.375	60.3	800	3.56	0.33
SCR0250EG	2½	65	2.875	73.0	800	3.56	0.39
SCR0300EG	3	80	3.500	88.9	800	3.56	0.43
SCR0350EG	3½	90	4.000	101.6	1000	4.45	0.57
SCR0400EG	4	100	4.500	114.3	1000	4.45	0.62
SCR0500EG	5	125	5.562	141.3	1000	4.45	0.73
SCR0600EG	6	150	6.625	168.3	1000	4.45	0.85
SCR0800EG	8	200	8.625	219.1	1000	4.45	1.07
SCR1000EG	10	250	10.750	273.1	1000	4.45	1.27
SCR1200EG	12	300	12.750	323.9	1000	4.45	1.49

## Material Specifications and Finishes

Carbon Steel – ASTM A1011-00 SS GR 33 or ASTM A1011-00CS Type B

AL – Aluminum – ASTM B209 (Type 5052-H32)

EG – Electro-Galvanized. Electroplating deposits zinc on the surface of the steel by electrolysis from a bath of zinc salts. Recommended for relatively dry indoor use. This is the standard coating for most Phoenix products. Thickness of applied zinc is between 0.2 mils to 0.5 mils [5.1 µm to 12.7 µm]. Coatings on Phoenix EG products meet ASTM B633 SC1 Type III.

HD – Hot Dip Galvanized After Fabrication. Fabricated product is dipped in molten zinc and is completely covered on all surfaces. Recommended for outdoor use. Coatings on Phoenix HD products meet ASTM A123/153. The zinc coating is typically 2.6 mils [66.0 µm] or 1.5 oz. per square foot [0.46 kg per square meter] per side.

PV -- PVC Coated

S4 – 304 Stainless Steel – ASTM A240 (Type 304)

 S6 – 316 Stainless Steel – ASTM A240 (Type 316),  
 316 Stainless Steel Nuts – ASTM A276-03

YC – Yellow Zinc Dichromate. A 0.5 mil [12.7 µm] electro-galvanized zinc plating meeting ASTM B633 SC1 Type III is applied to the surface of the metal. Yellow Dichromate is applied over the zinc. This results in a yellowish gold appearance and acts as a nonporous barrier sealant that is corrosion resistant and can be painted.

Note: Specifications subject to change without notice.

<b>Project:</b>	<b>Date:</b>	<b>Phone:</b>
<b>Submitted By:</b>	<b>Address:</b>	
<b>Comment</b>		