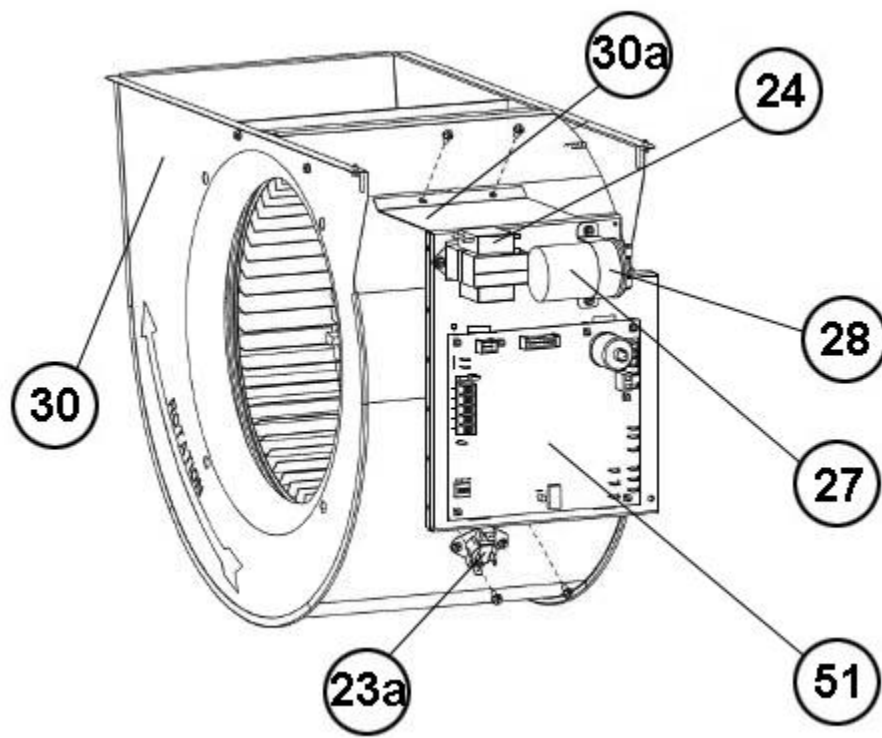


| No.  | Notes | MODEL<br>INPUT<br>AIRFLOW<br>CABINET WIDTH<br>CONFIGURATION  | R801TA                      | R801TA                    | R801TA                    | R801TA                    | R801TA                    |
|--|-------|--|-----------------------------|---------------------------|---------------------------|---------------------------|---------------------------|
|  |       |  | 050<br>3<br>14<br>MSA/MXA   | 075<br>4<br>17<br>MSA/MXA | 075<br>4<br>21<br>MSA/MXA | 100<br>5<br>21<br>MSA/MXA | 125<br>5<br>24<br>MSA/MXA |
| <b>HEAT EXCHANGER, BURNER / MANIFOLD GROUP</b> |       |  |                             |                           |                           |                           |                           |
| 2f   |       | Heat Exchanger Bracket - Left Side   | AE-102680-01                | AE-67846-02               | AE-67846-02               | AE-67846-02               | AE-67846-02               |
| 2g   |       | Heat Exchanger Bracket - Right Side  | AE-102680-02                | AE-67846-02               | AE-67846-02               | AE-67846-02               | AE-67846-02               |
| 40   | Stk   | Heat Exchanger Assembly  | AS-61579-14                 | AS-100560-01              | AS-61579-12               | AS-61579-04               | AS-61579-05               |
| 40a  |       | NOx Burner Inserts   | AS-67875-01<br>(2)          | AS-67875-01<br>(3)        | AS-67875-01<br>(3)        | AS-67875-01<br>(4)        | AS-67875-01<br>(5)        |
| 40b  |       | NOx Insert Retainer  | AE-67872-01                 | AE-67872-02               | AE-67872-03               | AE-67872-03               | AE-67872-04               |
| 42   |       | Burner Assembly (Burner, Support, Brackets, Cover and Bottom Plates, Ignitor Bracket)                | AS-104944-01                | AS-104944-02              | AS-104944-02              | AS-104944-03              | AS-104944-04              |
| 42   |       | Burner Assembly - NOx variants (Burner, Support, Brackets, Cover and Bottom Plates, Ignitor Bracket) | AS-104944-11                | AS-104944-12              | AS-104944-12              | AS-104944-13              | AS-104944-14              |
| 42a  | Stk   | Burner   | AS-60993-02                 | AS-60993-03               | AS-60993-03               | AS-60993-04               | AS-60993-05               |
| 42b  |       | Burner Support   | AE-60997-01                 | AE-60997-02               | AE-60997-02               | AE-60997-03               | AE-60997-04               |
| 42c  |       | Burner Support Bracket (2)   | AE-61588-02                 | AE-61588-02               | AE-61588-02               | AE-61588-02               | AE-61588-02               |
| 42d  |       | Burner Cover Plate   | AE-101080-06                | AE-101080-02              | AE-101080-02              | AE-101080-03              | AE-101080-04              |
| 42d  |       | Burner Cover Plate (NOx variants)  | AE-101080-16                | AE-101080-12              | AE-101080-12              | AE-101080-13              | AE-101080-14              |
| 42e  |       | Burner Bottom Plate  | AE-104927-01                | AE-104927-02              | AE-104927-02              | AE-104927-03              | AE-104927-04              |
| 42f  |       | Igniter Bracket  | AE-61885-02                 | AE-61885-02               | AE-61885-02               | AE-61885-02               | AE-61885-02               |
| 42g  |       | Screw - Burner Assembly  | 63-22153-05<br>(13)         | 63-22153-05<br>(14)       | 63-22153-05<br>(14)       | 63-22153-05<br>(15)       | 63-22153-05<br>(16)       |
| 43   |       | Manifold (w/o Orifices)  | 81-102427-01                | 81-102427-02              | 81-102427-02              | 81-102427-03              | 81-102427-04              |
|  |       | Burner Orifice - Natural Gas   | See Orifice Selection Chart |                           |                           |                           |                           |
|  |       | Burner Orifice - LP  | See Orifice Selection Chart |                           |                           |                           |                           |
|  |       | Number of Orifices   | (2)                         | (3)                       | (3)                       | (4)                       | (5)                       |

| No.                 | Notes | MODEL<br>GAS CODE                        | R801TA       | R801TA       | R801TA       | R801TA       |
|---------------------|-------|--|--------------|--------------|--------------|--------------|
|                     |       |  | JM           | JF           | JU           | JW           |
| <b>GAS CONTROLS</b> |       |  |              |              |              |              |
| 50                  | Stk   | Gas Valve - Natural Gas                  | 60-105055-01 | 60-105055-01 | 60-103901-02 | 60-103901-02 |
|                     | Stk,2 | Gas Valve - LP                           | See Note 2   | See Note 2   | See Note 2   | See Note 2   |
| 51                  | Stk   | Integrated Furnace Control Board (IFC)   | 62-105217-01 | 62-105217-01 | 62-104058-02 | 62-105217-01 |
| 52                  | Stk   | Flame Sensor                             | 62-23543-01  | 62-23543-01  | 62-23543-01  | 62-23543-01  |
| 53                  | Stk   | Spark Ignitor                            | 62-24164-03  | 62-24164-03  | 62-24164-03  | 62-24164-03  |
|                     | Stk   | LP Conversion Kit - U.S./Canadian Models | FP-15        | FP-15        | FP-15        | FP-15        |



Control Board Mounting