
**INDUSTRY STANDARDS**

- NEMA —Type 3R
- UL 870—Type 3R
- CUL—Type 3R (Equivalent to CSA)

**APPLICATION**

- Designed to protect wiring in outdoor installations against rain, sleet, or snow, or indoors against dripping water.

**CONSTRUCTION**

- Trough and cover are manufactured from 16 gauge **G90** galvanized steel.
- Available with or without paint—for no paint refer to suffix **-NP** in the catalog number.
- Cover is designed to fit under the drip shield top, and is held in place with plated steel screws.

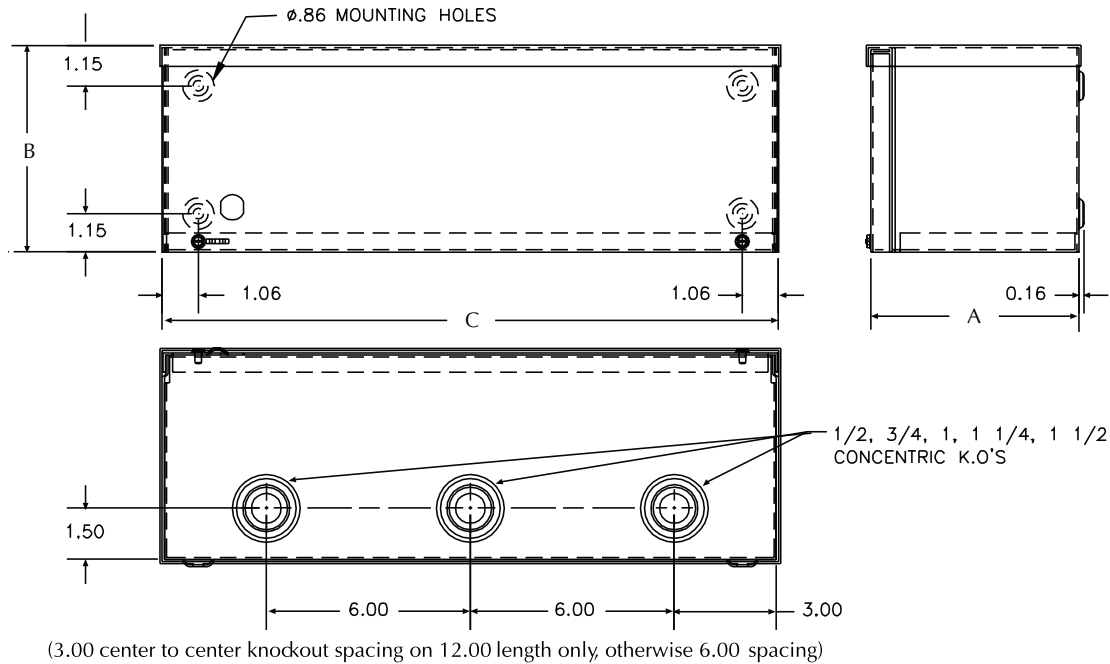
- Wireway is available with or without concentric knockouts on the bottom—for no knockouts refer to suffix **-NK** in the catalog number.
- Embossed mounting holes are provided on the backs of the units.

**FINISH**

- ANSI 61 gray polyester powder coating over phosphatized **G90** galvanized steel.

**ACCESSORIES**

- Touch-up paint – see Accessories pg. B34.
- Locks – see Accessories pg. B33.


**COMMERCIAL ENCLOSURES**
**GSC3R—SCREW COVER WIRING TROUGH—TYPE 3R**

CATALOG NUMBER	PRODUCT FAMILY	UPC NUMBER 7-84572-	WEIGHT (LBS)	CARTON QUANTITY	H X D X L	NUMBER OF KOS
4412-GSC3R	GS3R	10629	4.5	4	4 x 4 x 12	3
4412-GSC3R-NK	GS3R	10630	4.5	4	4 x 4 x 12	NONE
4412-GSC3R-NK-NP	GS3R	16177	4.5	4	4 x 4 x 12	NONE
4418-GSC3R	GS3R	10637	6.5	4	4 x 4 x 18	3
4418-GSC3R-NK	GS3R	21813	6.5	4	4 x 4 x 18	NONE
4424-GSC3R	GS3R	10642	8.5	4	4 x 4 x 24	3
4424-GSC3R-NK	GS3R	10643	8.5	4	4 x 4 x 24	NONE
4424-GSC3R-NK-NP	GS3R	16176	8.5	4	4 x 4 x 24	NONE
4436-GSC3R	GS3R	10648	12	4	4 x 4 x 36	5
4436-GSC3R-NK	GS3R	10649	12	4	4 x 4 x 36	NONE
4436-GSC3R-NK-NP	GS3R	16175	12	4	4 x 4 x 36	NONE
4448-GSC3R	GS3R	10660	15.8	4	4 x 4 x 48	7
4448-GSC3R-NK	GS3R	10661	15.8	4	4 x 4 x 48	NONE
4448-GSC3R-NK-NP	GS3R	16174	15.8	4	4 x 4 x 48	NONE
4460-GSC3R	GS3R	10666	19.5	4	4 x 4 x 60	9
4460-GSC3R-NK	GS3R	10667	19.5	4	4 x 4 x 60	NONE
4460-GSC3R-NK-NP	GS3R	16173	19.5	4	4 x 4 x 60	NONE

*Utility requirements for this equipment may vary. Always consult the serving utility for their requirements before ordering or installing equipment in this catalog.*

NK=no knockout, NP=no paint

**B25**



COMMERCIAL ENCLOSURES

GSC3R—SCREW COVER WIRING TROUGH—TYPE 3R

CATALOG NUMBER	PRODUCT FAMILY	UPC NUMBER 7-84572-	WEIGHT (LBS)	CARTON QUANTITY	H X D X L	NUMBER OF KOS
4472-GSC3R	GS3R	10671	23.5	4	4 x 4 x 72	11
4472-GSC3R-NK	GS3R	10672	23.5	4	4 x 4 x 72	NONE
4472-GSC3R-NK-NP	GS3R	19304	23.5	4	4 x 4 x 72	NONE
4496-GSC3R	GS3R	21984	31.1	2	4 x 4 x 96	15
44120-GSC3R	GS3R	21985	38.7	2	4 x 4 x 120	19
6612-GSC3R	GS3R	10774	7	2	6 x 6 x 12	3
6612-GSC3R-NK	GS3R	10775	7	2	6 x 6 x 12	NONE
6612-GSC3R-NK-NP	GS3R	17550	7	2	6 x 6 x 12	NONE
6618-GSC3R	GS3R	10782	10	2	6 x 6 x 18	3
6618-GSC3R-NK	GS3R	10783	10	2	6 x 6 x 18	NONE
6618-GSC3R-NK-NP	GS3R	21096	10	2	6 x 6 x 18	NONE
6624-GSC3R	GS3R	10788	12.5	2	6 x 6 x 24	3
6624-GSC3R-NK	GS3R	10789	12.5	2	6 x 6 x 24	NONE
6624-GSC3R-NK-NP	GS3R	16172	12.5	2	6 x 6 x 24	NONE
6636-GSC3R	GS3R	10796	18	2	6 x 6 x 36	5
6636-GSC3R-NK	GS3R	10797	18	2	6 x 6 x 36	NONE
6636-GSC3R-NK-NP	GS3R	16171	18	2	6 x 6 x 36	NONE
6648-GSC3R	GS3R	10815	24	2	6 x 6 x 48	7
6648-GSC3R-NK	GS3R	10816	24	2	6 x 6 x 48	NONE
6648-GSC3R-NK-NP	GS3R	16170	24	2	6 x 6 x 48	NONE
6660-GSC3R	GS3R	10826	28.5	2	6 x 6 x 60	9
6660-GSC3R-NK	GS3R	10827	28.5	2	6 x 6 x 60	NONE
6660-GSC3R-NK-NP	GS3R	19303	28.5	2	6 x 6 x 60	NONE
6672-GSC3R	GS3R	10830	34	2	6 x 6 x 72	11
6672-GSC3R-NK	GS3R	10831	34	2	6 x 6 x 72	NONE
6672-GSC3R-NK-NP	GS3R	19004	34	2	6 x 6 x 72	NONE
6696-GSC3R	GS3R	10834	45	1	6 x 6 x 96	15
6696-GSC3R-NK	GS3R	10835	45	1	6 x 6 x 96	NONE
6696-GSC3R-NK-NP	GS3R	23847	45	1	6 x 6 x 96	NONE
66120-GSC3R	GS3R	20971	55	1	6 x 6 x 120	19
66120-GSC3R-NK	GS3R	26496	55	1	6 x 6 x 120	NONE
8812-GSC3R	GS3R	10918	9	1	8 x 8 x 12	3
8812-GSC3R-NK	GS3R	26487	9	1	8 x 8 x 12	NONE
8812-GSC3R-NK-NP	GS3R	16169	9	1	8 x 8 x 12	NONE
8818-GSC3R	GS3R	10923	14	1	8 x 8 x 18	3
8818-GSC3R-NK	GS3R	25662	14	1	8 x 8 x 18	NONE
8818-GSC3R-NK-NP	GS3R	21097	14	1	8 x 8 x 18	NONE
8824-GSC3R	GS3R	10927	17	1	8 x 8 x 24	3
8824-GSC3R-NK	GS3R	10928	17	1	8 x 8 x 24	NONE
8824-GSC3R-NK-NP	GS3R	16168	17	1	8 x 8 x 24	NONE
8836-GSC3R	GS3R	10933	24	1	8 x 8 x 36	5
8836-GSC3R-NK	GS3R	10934	24	1	8 x 8 x 36	NONE
8836-GSC3R-NK-NP	GS3R	16167	24	1	8 x 8 x 36	NONE
8848-GSC3R	GS3R	10951	32	1	8 x 8 x 48	7
8848-GSC3R-NK	GS3R	10952	32	1	8 x 8 x 48	NONE
8848-GSC3R-NK-NP	GS3R	16166	32	1	8 x 8 x 48	NONE
8860-GSC3R	GS3R	10965	38	1	8 x 8 x 60	9
8860-GSC3R-NK	GS3R	10966	38	1	8 x 8 x 60	NONE
8860-GSC3R-NK-NP	GS3R	19302	38	1	8 x 8 x 60	NONE
8872-GSC3R	GS3R	10969	45	1	8 x 8 x 72	11
8872-GSC3R-NK	GS3R	10970	45	1	8 x 8 x 72	NONE
8872-GSC3R-NK-NP	GS3R	16165	45	1	8 x 8 x 72	NONE
8896-GSC3R	GS3R	10974	59	1	8 x 8 x 96	15

Utility requirements for this equipment may vary. Always consult the serving utility for their requirements before ordering or installing equipment in this catalog.

