

### BATHROOM FAUCET

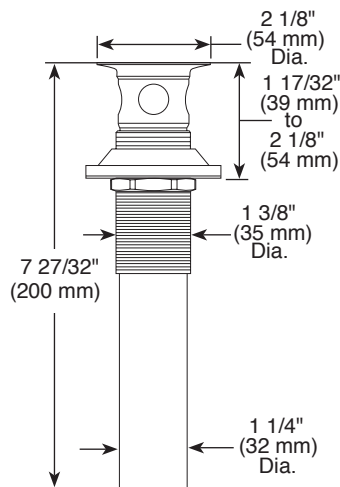
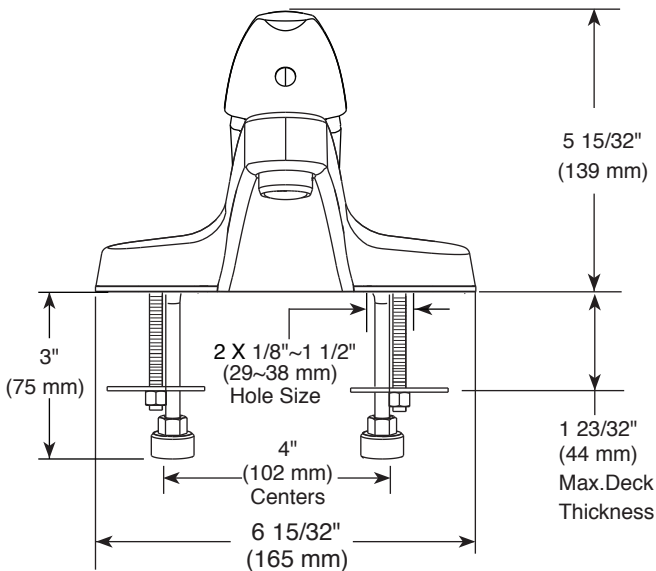
- Single handle, lever, centerset lavatory faucet with metal grid strainer assembly.

### STANDARD SPECIFICATIONS:


- Max flow rate 1.2 gpm @ 60 psi, 4.5 L/min @ 414 kPa
- Two or three hole mount
- Control mechanism is the rotating ball type with replaceable non-metallic seats
- Control handle returns to neutral position when valve is turned off
- 1/2"-14 NPSM threaded male inlet adapters

### WARRANTY

- Parts and Finish - Lifetime limited warranty; or for commercial purchasers, 10 years for multi-family residential (apartments and condominiums) and 5 years for all other commercial uses, in each case from the date of purchase.



### COMPLIES WITH:

- ASME A112.18.1 / CSA B125.1
- ASME A112.18.2 / CSA B125.2
-  Indicates compliance to ICC / ANSI A117.1
- EPA WaterSense®