



**Dearborn®
Brass**

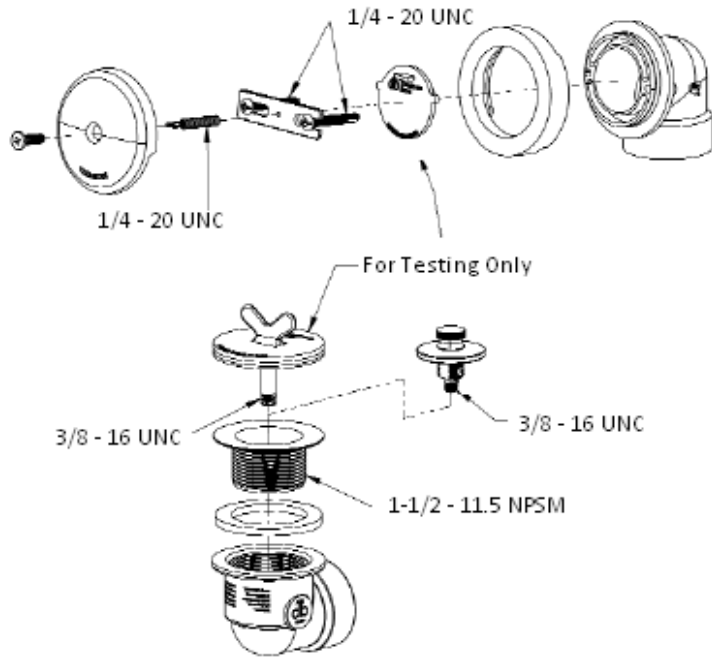
4675 W. 160th St.
Cleveland, Ohio 44135
Ph: (800) 321-9532
Fax: (800) 321-9535
www.dearbornbrass.com

SUBMITTAL SPECIFICATION

**BATH WASTE & OVERFLOW
SCHEDULE 40 HALF KIT
UNI-LIFT STOPPER WITH STANDARD TEST KIT**

Engineering Specification: Dearborn Brass Bath Waste & Overflow Schedule 40 Plastic Kits are manufactured to strict industry standards. Half Kit contains waste and overflow assemblies for Rough-In installation. Available in Schedule 40 ABS or PVC. Options include one or two hole face plate, brass or zinc die cast drain units, Condensate Elbow and variety of designer finishes.

Job Reference



- Made of Schedule 40 Plastic
- Brass Drain Spud & Stopper
- One Hole Face Plate
- IAPMO Listed
- Meets ASME A112.18.2-2005/CSA B125.2-2005



✓	Product No.	Description	Carton Quantity	Carton Weight (lbs)
	P7225B	Half Kit, Schedule 40 PVC Uni-Lift Stopper Mechanism – Chrome Finish Trim	20	35
	P7225BAB	Half Kit, Schedule 40 PVC Uni-Lift Stopper Mechanism –Antique Bronze Finish Trim	20	35
	P7225BBC	Half Kit, Schedule 40 PVC Uni-Lift Stopper Mechanism – Biscuit Finish Trim	20	35
	P7225BBN	Half Kit, Schedule 40 PVC Uni-Lift Stopper Mechanism – Brushed Nickel Finish Trim	20	35
	P7225BPB	Half Kit, Schedule 40 PVC Uni-Lift Stopper Mechanism – UltraShine Polished Brass Finish Trim	20	35
	P7225BRB	Half Kit, Schedule 40 PVC Uni-Lift Stopper Mechanism – Rubbed Bronze Finish Trim	20	35
	P7225BSC	Half Kit, Schedule 40 PVC Uni-Lift Stopper Mechanism – UltraShine Satin Chrome Finish Trim	20	35
	P7225BSN	Half Kit, Schedule 40 PVC Uni-Lift Stopper Mechanism – UltraShine Satin Nickel Finish Trim	20	35
	A7225B	Half Kit, Schedule 40 ABS Uni-Lift Stopper Mechanism – Chrome Finish Trim	20	25
	P9225BBG	Half Kit, Schedule 40 PVC Uni-Lift Stopper Mechanism with Zinc Drain Unit, 2 Hole Face Plate and No Test Kit – Chrome Finish Trim	25	31
	A9225BBG	Half Kit, Schedule 40 ABS Uni-Lift Stopper Mechanism with Zinc Drain Unit, 2 Hole Face Plate and No Test Kit – Chrome Finish Trim	25	34
	P7225BZ	Half Kit, Schedule 40 PVC Uni-Lift Stopper Mechanism with Zinc Drain Unit – Chrome Finish Trim	20	35
	A7225BZ	Half Kit, Schedule 40 ABS Uni-Lift Stopper Mechanism with Zinc Drain Unit – Chrome Finish Trim	20	35
	P7225BC	Half Kit, Schedule 40 PVC Uni-Lift Stopper Mechanism with Condensate Elbow – Chrome Finish Trim	20	35
	A7225BC	Half Kit, Schedule 40 ABS Uni-Lift Stopper Mechanism with Condensate Elbow – Chrome Finish Trim	20	35