

For Residential and Commercial Applications

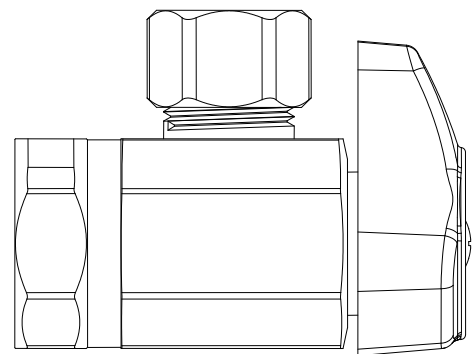
Job Name		Engineer / Architect	
Job Location		Wholesaler	
Submittal Date		Contractor	

G2R07/ G2R15/ G2R17 & G2R37 1/4 Turn Angle Stop – Female Iron Pipe x Compression

Use: For use in potable water distribution systems. Not intended for recirculating systems that produce continuous use temperatures above 115° F. For those applications, use BrassCraft’s KT series ball stop.

Design Features:

- **One-Piece shut-off mechanism** provides smooth on-off operation without freeze ups even after long periods of non-use
- **Positive 1/4 turn shut-off**
- **Full-flow operation** with no waterway obstructions
- **Corrosion-resistant handle** is plated in an attractive chrome finish
- **Machined one-piece brass body** provides strength, durability and long-lasting performance
- **Easy-to-remove handle** with screw attachment protects accidental operation during rough-ins
- **100% leak tested**
- **Compliant G2 Stops** available for California and Vermont “no-lead” requirements



Operating Specifications:

Temperature: 40°- 140° F
Pressure: 125 psi maximum

Standard

MATERIAL SPECIFICATIONS	
Valve Body	C36000 Brass
Stem Barrel	Santoprene
Stem Shaft	Glass-filled Polypropylene
Stem O-ring	EPDM
Handle	Chrome-plated Zinc Die Cast
Screw	Zinc-plated Steel
Compression Sleeve	C36000 Brass
Compression Nut	Chrome-plated C36000 Brass

Compliant

MATERIAL SPECIFICATIONS	
Valve Body	Compliant brass
Stem Barrel	Santoprene
Stem Shaft	Glass-filled Polypropylene
O-ring	EPDM
Handle	Chrome-plated Zinc Die Cast
Screw	Zinc-plated Steel
Compression Sleeve	C36000 Brass
Compression Nut	Chrome-plated C36000 Brass

Standard Part Listing:

- G2R15 C 3/8" F.I.P. x 3/8" OD Compression, chrome plated
- G2R15 CD 3/8" F.I.P. x 3/8" OD Compression, chrome plated, carded

This specification and all information contained herein is the confidential and exclusive property of BrassCraft Manufacturing, and shall not be disclosed to others without the written consent of BrassCraft. This specification must be returned to BrassCraft if requested.



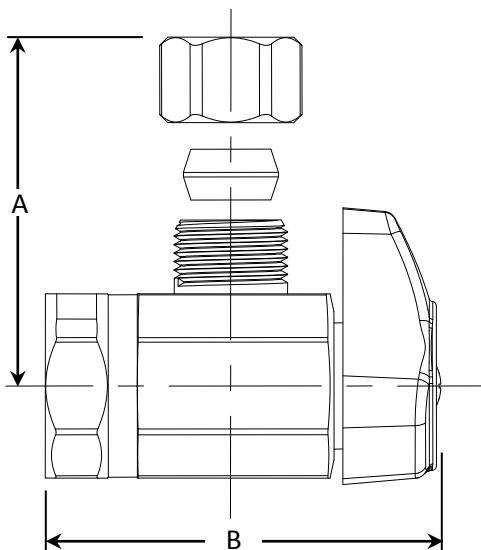
G2R07/ G2R15/ G2R17 & G2R37 1/4 Turn Angle Stop – Female Iron Pipe x Compression

Standard Part Listing (con't):

- G2R15 C1 3/8" F.I.P. x 3/8" OD Compression, chrome plated, window tray
- G2R07 C 1/2" F.I.P. x 1/4" OD Compression, chrome plated
- G2R07 CD 1/2" F.I.P. x 1/4" OD Compression, chrome plated, carded
- G2R07 C1 1/2" F.I.P. x 1/4" OD Compression, chrome plated, window tray
- G2R07 R 1/2" F.I.P. x 1/4" OD Compression, rough brass
- G2R17 C 1/2" F.I.P. x 3/8" OD Compression, chrome plated
- G2R17 CD 1/2" F.I.P. x 3/8" OD Compression, chrome plated, carded
- G2R17 C1 1/2" F.I.P. x 3/8" OD Compression, chrome plated, widow tray
- G2R17 R 1/2" F.I.P. x 3/8" OD Compression, rough brass
- G2R17 R1 1/2" F.I.P. x 3/8" OD Compression, rough brass, window tray
- G2R37 C 1/2" F.I.P. x 1/2" OD Compression, chrome plated
- G2R37 CD 1/2" F.I.P. x 1/2" OD Compression, chrome plated, carded
- G2R37 C1 1/2" F.I.P. x 1/2" OD Compression, chrome plated, window tray

Compliant Part Listing:

- G2R15X CD 3/8" F.I.P. x 3/8" OD Compression, chrome plated, carded
- G2R15X C1 3/8" F.I.P. x 3/8" OD Compression, chrome plated, window tray
- G2R07X C 1/2" F.I.P. x 1/4" OD Compression, chrome plated
- G2R07X CD 1/2" F.I.P. x 1/4" OD Compression, chrome plated, carded
- G2R07X C1 1/2" F.I.P. x 1/4" OD Compression, chrome plated, window tray
- G2R17X C 1/2" F.I.P. x 3/8" OD Compression, chrome plated
- G2R17X CD 1/2" F.I.P. x 3/8" OD Compression, chrome plated, carded
- G2R17X C1 1/2" F.I.P. x 3/8" OD Compression, chrome plated, window tray
- G2R37X CD 1/2" F.I.P. x 1/2" OD Compression, chrome plated, carded



PART DIMENSIONS (Inches)		
<i>Model</i>	<i>DIM. A</i>	<i>DIM. B</i>
G2R15	1.09	2.12
G2R07	1.09	1.95
G2R17	1.09	1.95
G2R37	1.18	1.95

This specification and all information contained herein is the confidential and exclusive property of BrassCraft Manufacturing, and shall not be disclosed to others without the written consent of BrassCraft. This specification must be returned to BrassCraft if requested.



G2R07/ G2R15/ G2R17 & G2R37 1/4 Turn Angle Stop – Female Iron Pipe x Compression

Listings & Certifications:

- IAPMO listed to ASME A112.18.1-05 / CSA B125.1-05 (File # 0645)
- CSA listed to ASME A112.18.1-05 / CSA B125.1-05 (File # 204593)
- Compliant product CSA approved to AB1953 (Project # 2174785)



This specification and all information contained herein is the confidential and exclusive property of BrassCraft Manufacturing, and shall not be disclosed to others without the written consent of BrassCraft. This specification must be returned to BrassCraft if requested.

BrassCraft®