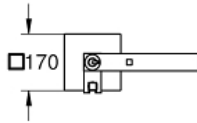
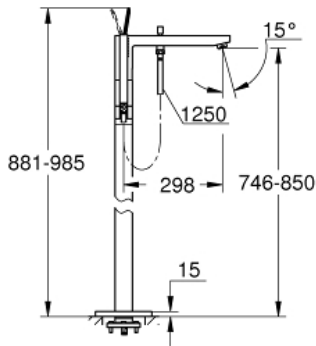


EUROCUBE JOY
Floor Standing Tub Filler
MODEL # 23667001

Pure Freude
an Wasser

GROHE



Product Description:
EUROCUBE JOY
Floor Standing Tub Filler

Standard Specification:

- Rough-In Set (29 038 001)
- Requires Rough-In Set (29 038 001) (sold separately)
- GROHE FeatherControl Joystick cartridge
- **GROHE StarLight** finish
- Automatic diverter: bath/shower
- Spout with flow control
- Hand shower Euphoria Cube+ (27 888 000) 1.75 gpm
- 49" (1250mm) SilverFlex shower hose (28 362 000)
- 11 3/4" spout reach
- 1/2" (13mm) Integrated non-return valve in the shower outlet
- With shower holder
- Check valve included to prevent backflow

Applicable Codes & Standards:

- Energy Policy Act of 1992
- ICC/ANSI A117.1
- LOGO CEC

Color:

- 23667001 StarLight Chrome