

754PXCELF Cold Expansion Pex Ball Valve • Spec Sheet



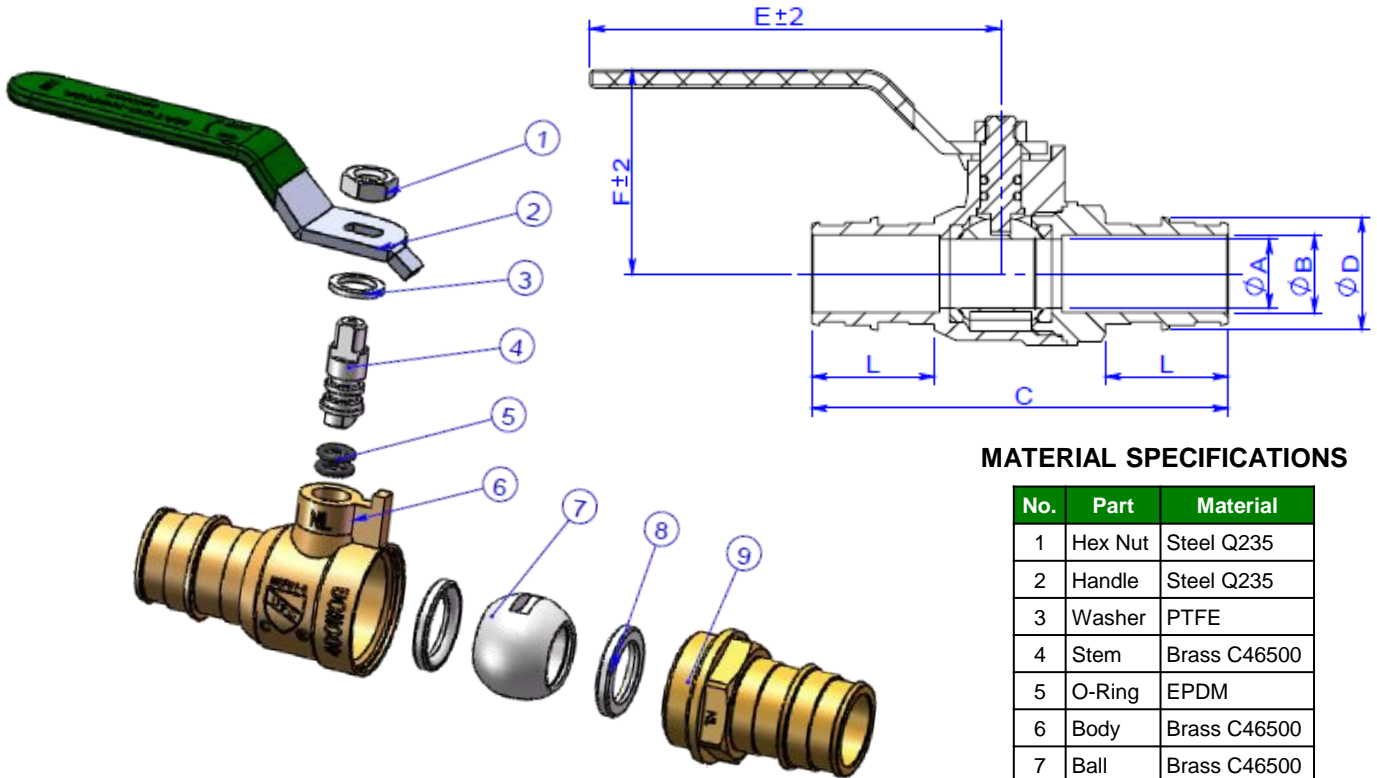
*Product will have LF imprinted on the body for Lead Free

FEATURES & BENEFITS

- Lead Free Forged Brass*
- Full Port
- 400 PSI (CWP)
- NSF 14/61 Approved
- cUPC Approved
- Blow-Out Proof Stems
- ASTM F 1960 (Cold Expansion Fitting Ends)
- With Waste Drain & Drop Ear Option Available
- Size 1/2" – 1"

DIMENSIONS

Part #	Size	A	B	C	D	E	F	L
754PXCE03LF	1/2"	0.39	0.39	2.60	0.61	2.96	1.50	0.71
754PXCE04LF	3/4"	0.53	0.60	3.21	0.87	3.17	1.58	0.95
754PXCE05LF	1"	0.75	0.81	3.98	1.11	4.18	1.97	1.18



MATERIAL SPECIFICATIONS

No.	Part	Material
1	Hex Nut	Steel Q235
2	Handle	Steel Q235
3	Washer	PTFE
4	Stem	Brass C46500
5	O-Ring	EPDM
6	Body	Brass C46500
7	Ball	Brass C46500
8	Seats	PTFE
9	Bonnet	Brass C46500

*This product complies with 0.25% weighted average lead content on wetted surfaces in accordance with the Safe Drinking Water Act (SDWA) / Federal Public Law No. 111-380.



Global sourcing. National compliance. Local service.

CALIFORNIA 5593 Fresca Dr., La Palma CA 90623 • Toll Free: 866-532-8306 • Fax: 866-532-8307
TEXAS 1150 Silber Rd., Houston TX 77055 • Toll Free: 800-935-5456 • Fax: 713-680-2999
NEW YORK PO Box 27, Rt. 22, Brewster NY 10509 • Toll Free: 800-431-2082 • Fax: 845-278-9056
 WEB: www.matco-norca.com EMAIL: mail@matco-norca.com

754PXCEDELFCold Expansion Pex Ball Valve • Spec Sheet



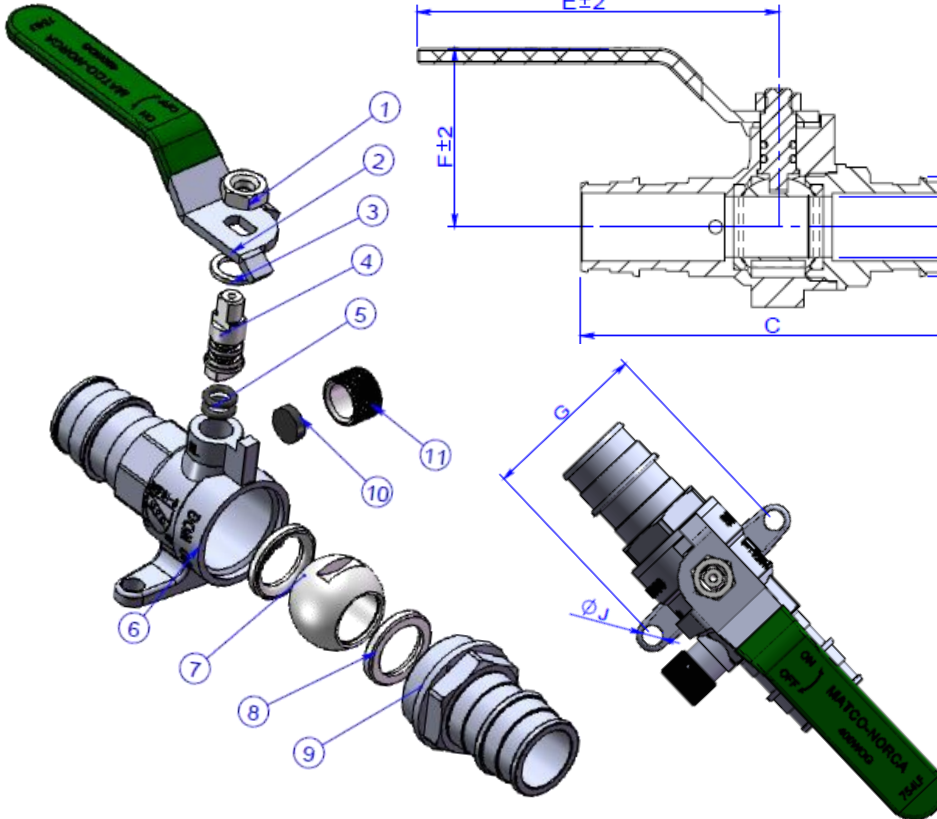
*Product will have LF imprinted on the body for Lead Free

FEATURES & BENEFITS

- Lead Free Forged Brass*
- Full Port
- 400 PSI (CWP)
- NSF 14/61 Approved
- cUPC Approved
- With Waste Drain & Drop Ear Elbow
- ASTM F 1960 (Cold Expansion Fitting Ends)
- Blow-Out Proof Stems
- Size 1/2" – 1"

DIMENSIONS

Part #	Size	A	B	C	D	E	F	G	H	I	J	K
754PXCEDE03LF	1/2"	0.39	0.39	2.82	0.61	2.96	1.50	1.48	0.94	0.53	0.20	0.12
754PXCEDE04LF	3/4"	0.53	0.60	3.49	0.87	3.17	1.58	1.65	1.02	0.70	0.20	0.12
754PXCEDE05LF	1"	0.75	0.81	4.26	1.11	4.18	1.97	1.93	1.17	0.87	0.20	0.12



MATERIAL SPECIFICATIONS

No.	Part	Material
1	Hex Nut	Steel Q235
2	Handle	Steel Q235
3	Washer	PTFE
4	Stem	Brass C46500
5	O-Ring	EPDM
6	Body	Brass C46500
7	Ball	Brass C46500
8	Seats	PTFE
9	Bonnet	Brass C46500
10	Rubber Gasket	EPDM
11	Cap	Brass

*This product complies with 0.25% weighted average lead content on wetted surfaces in accordance with the Safe Drinking Water Act (SDWA) / Federal Public Law No. 111-380.



Global sourcing. National compliance. Local service.

CALIFORNIA 5593 Fresca Dr., La Palma CA 90623 • Toll Free: 866-532-8306 • Fax: 866-532-8307
TEXAS 1150 Silber Rd., Houston TX 77055 • Toll Free: 800-935-5456 • Fax: 713-680-2999
NEW YORK PO Box 27, Rt. 22, Brewster NY 10509 • Toll Free: 800-431-2082 • Fax: 845-278-9056
 WEB: www.matco-norca.com EMAIL: mail@matco-norca.com