



# RGDG

Parts List  
27-December-2017



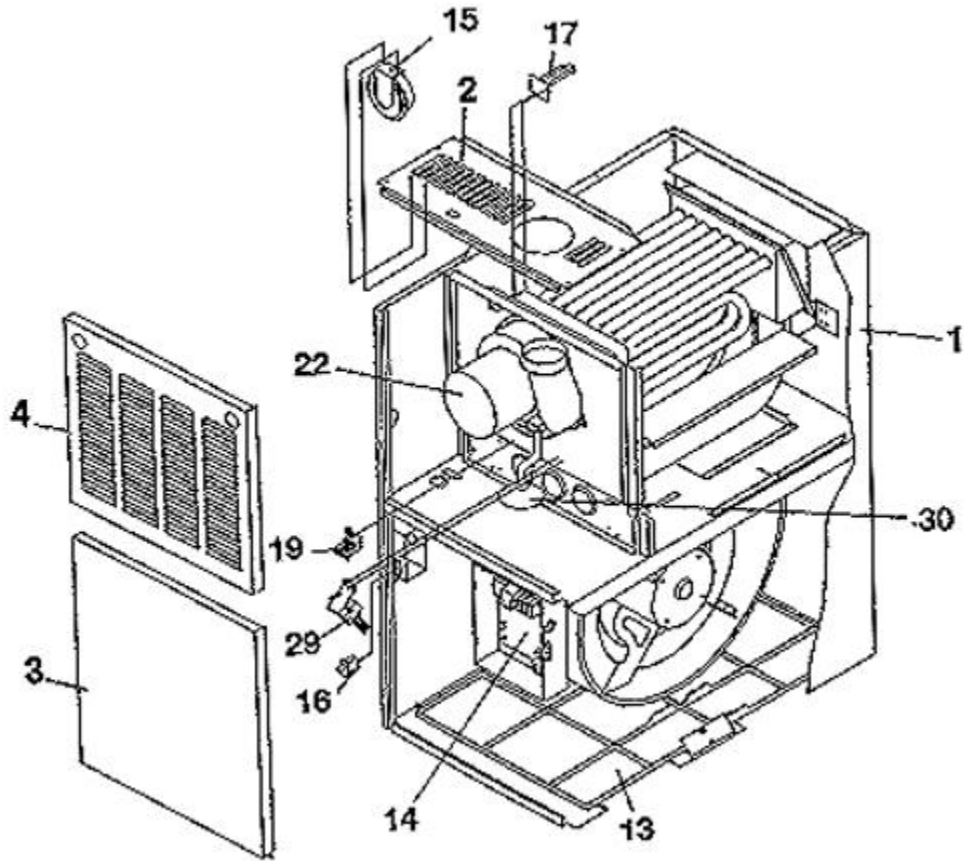
*This parts list is current as of the above revision date.  
See <http://www.rheempartslists.net/92-42800-RGDG.pdf> for the current revision.*

**80% Gas Furnaces**

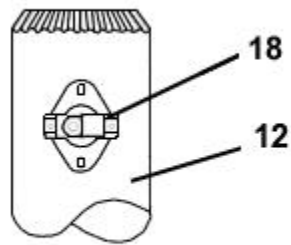
No.	Notes	MODEL GAS CODE (TYPE)	RGDG BW (SP)	RGDG BX (SP)	RGDG BY (SP)	RGDG BZ (SP)
<b>GAS CONTROLS - ROBERTSHAW</b>						
28	Stk	Gas Valve - Natural Gas	60-22525-10	60-22525-10	60-22525-10	60-22525-10
28	Stk,3	Gas Valve - LP	See Note 3	See Note 3	See Note 3	See Note 3
14	Stk,6	Blower/Inducer Control Board	47-22827-01	47-22830-01	47-22693-01	47-22828-01
30		Exhaust Hood Assembly	AS-61654-01	AS-61654-01	AS-61654-01	AS-61654-01
<b>Verify pilot vendor before ordering parts</b>						
	Stk, 4	Pilot Assembly (Honeywell) - See Note 4 (On or before approximate Date Code F3792)	62-22834-01 See Note 4	62-22834-01 See Note 4	62-22834-01 See Note 4	62-22834-01 See Note 4
33	Stk	Pilot Assembly (Robertshaw) (NG - Natural Gas) (After approximate Date Code F3792)	62-22864-02	62-22864-02	62-22864-02	62-22864-02
	Stk	Pilot Orifice - Natural Gas	62-22832-02	62-22832-02	62-22832-02	62-22832-02
	Stk,5	Pilot Orifice Kit - LP	62-22834-83	62-22834-83	62-22834-83	62-22834-83
31	Stk	Thermocouple (Honeywell)	62-22348-02	62-22348-02	62-22348-02	62-22348-02
31	Stk	Thermocouple (Robertshaw)	62-19635-02	62-19635-02	62-19635-02	62-19635-02
		Pilot Tubing (Robertshaw) - Sizes 045,04M,050,05M,067,075,07M,(100 - Before F4591)	AE-60777-60	AE-60777-60	AE-60777-60	AE-60777-60
		Pilot Tubing (Robertshaw) - Sizes 100,10M	AE-60777-62	AE-60777-62	AE-60777-62	AE-60777-62
		Pilot Tubing (Robertshaw) - Sizes 125,12M	AE-60777-64	AE-60777-64	AE-60777-64	AE-60777-64
		Pilot Tubing (Robertshaw) - Sizes 150,15M	AE-60777-66	AE-60777-66	AE-60777-66	AE-60777-66
		Pilot Tubing (Honeywell) - Sizes 045,04M,050,05M,067,075,07M,(100 - Before F4591)	AE-60777-61	AE-60777-61	AE-60777-61	AE-60777-61
		Pilot Tubing (Honeywell) - Sizes 100,10M - (F4591 - F0894)	AE-60777-63	AE-60777-63	AE-60777-63	AE-60777-63
		Pilot Tubing (Honeywell) - Sizes 100,10M - (After F0894)	AE-60777-65	AE-60777-65	AE-60777-65	AE-60777-65
		Pilot Tubing (Honeywell) - Sizes 125,12M	AE-60777-65	AE-60777-65	AE-60777-65	AE-60777-65
		Pilot Tubing (Honeywell) - Sizes 150,15M	AE-60777-67	AE-60777-67	AE-60777-67	AE-60777-67
32		Pilot Bracket	AE-61658-01	AE-61658-01	AE-61658-01	AE-61658-01
		Pilot Shield	AE-61757-01	AE-61757-01	AE-61757-01	AE-61757-01
		<b>LP Conversion Kit:</b>				
	Stk	U.S. Models	FP-15	FP-15	FP-15	FP-15
	Stk	Canadian Models	FP-04	FP-04	FP-04	FP-04
<b>For 07 Models manufactured before F0191 - See Field Test Parts 07</b>						

No.	Notes	MODEL GAS CODE (TYPE)	RGDG BT (HSI)	RGDG CA (HSI)		
<b>GAS CONTROLS - ROBERTSHAW</b>						
28	Stk	Gas Valve - Natural Gas	60-22525-11	60-22525-11		
28	Stk,3	Gas Valve - LP	See Note 3	See Note 3		
14	Stk	Integrated Furnace Control Board (IFC)	62-22737-07	62-22694-01		
	Stk	Flame Sensor	62-23543-01	62-23543-01		
29	Stk	Ignitor	62-22868-02	62-22868-02		
		Ignitor Bracket	AE-61581-01	AE-61581-01		
		Ignitor Shield	AE-61627-01	AE-61627-01		
		<b>LP Conversion Kit:</b>				
	Stk	U.S. Models	FP-15	FP-15		
	Stk	Canadian Models	FP-04	FP-04		
<b>For 07 Models manufactured before F0191 - See Field Test Parts 07</b>						

No.	Notes	MODEL GAS CODE (TYPE)	RGDG BA (SP)	RGDG BB (SP)	RGDG BL (SP)	RGDG BG (SP)	RGDG CB (SP)	RGDG CC (SP)
<b>GAS CONTROLS - HONEYWELL</b>								
28	Stk	Gas Valve - Natural Gas	60-22174-02	60-22174-02	60-22174-02	60-22174-02	60-22174-02	60-22174-02
28	Stk,3	Gas Valve - LP	See Note 3	See Note 3	See Note 3	See Note 3	See Note 3	See Note 3
14	Stk,6	Blower/Inducer Control Board	47-22827-01	47-22830-01	47-22828-01	47-22693-01	47-22827-03	47-22828-02
30		Exhaust Hood Assembly	AS-61654-01	AS-61654-01	AS-61654-01	AS-61654-01	AS-61654-01	AS-61654-01
<b>Verify pilot vendor before ordering parts</b>								
	Stk, 4	Pilot Assembly (Honeywell) - See Note 4 (On or before approximate Date Code F3792)	62-22834-01 See Note 4	62-22834-01 See Note 4	62-22834-01 See Note 4	62-22834-01 See Note 4	62-22834-01 See Note 4	62-22834-01 See Note 4
33	Stk	Pilot Assembly (Robertshaw) (NG - Natural Gas) (After approximate Date Code F3792)	62-22864-02	62-22864-02	62-22864-02	62-22864-02	62-22864-02	62-22864-02
	Stk	Pilot Orifice - Natural Gas	62-22832-02	62-22832-02	62-22832-02	62-22832-02	62-22832-02	62-22832-02
	Stk,5	Pilot Orifice Kit - LP	62-22834-83	62-22834-83	62-22834-83	62-22834-83	62-22834-83	62-22834-83
31	Stk	Thermocouple (Honeywell)	62-22348-02	62-22348-02	62-22348-02	62-22348-02	62-22348-02	62-22348-02
31	Stk	Thermocouple (Robertshaw)	62-19635-02	62-19635-02	62-19635-02	62-19635-02	62-19635-02	62-19635-02
		Pilot Tubing (Robertshaw) - Sizes 045,04M,050,05M,067,075,07M,100 (Before F4591)	AE-60777-60	AE-60777-60	AE-60777-60	AE-60777-60	AE-60777-60	AE-60777-60
		Pilot Tubing (Robertshaw) - Sizes 100,10M	AE-60777-62	AE-60777-62	AE-60777-62	AE-60777-62	AE-60777-62	AE-60777-62
		Pilot Tubing (Robertshaw) - Sizes 125,12M	AE-60777-64	AE-60777-64	AE-60777-64	AE-60777-64	AE-60777-64	AE-60777-64
		Pilot Tubing (Robertshaw) - Sizes 150,15M	AE-60777-66	AE-60777-66	AE-60777-66	AE-60777-66	AE-60777-66	AE-60777-66
		Pilot Tubing (Honeywell) - Sizes 045,04M,050,05M,067,075,07M,100 (Before F4591)	AE-60777-61	AE-60777-61	AE-60777-61	AE-60777-61	AE-60777-61	AE-60777-61
		Pilot Tubing (Honeywell) - Sizes 100,10M - (F4591 - F0894)	AE-60777-63	AE-60777-63	AE-60777-63	AE-60777-63	AE-60777-63	AE-60777-63
		Pilot Tubing (Honeywell) - Sizes 100,10M - (After F0894)	AE-60777-65	AE-60777-65	AE-60777-65	AE-60777-65	AE-60777-65	AE-60777-65
		Pilot Tubing (Honeywell) - Sizes 125,12M	AE-60777-65	AE-60777-65	AE-60777-65	AE-60777-65	AE-60777-65	AE-60777-65
		Pilot Tubing (Honeywell) - Sizes 150,15M	AE-60777-67	AE-60777-67	AE-60777-67	AE-60777-67	AE-60777-67	AE-60777-67
32		Pilot Bracket	AE-61658-01	AE-61658-01	AE-61658-01	AE-61658-01	AE-61658-01	AE-61658-01
		Pilot Shield	AE-61757-01	AE-61757-01	AE-61757-01	AE-61757-01	AE-61757-01	AE-61757-01
		<b>LP Conversion Kit:</b>						
	Stk	U.S. Models	FP-15	FP-15	FP-15	FP-15	FP-15	FP-15
	Stk	Canadian Models	FP-04	FP-04	FP-04	FP-04	FP-04	FP-04



Exploded View



Vent Pressure Detector