

Arrow Hart commercial specification grade AC decorator switches

Project Name:	Prepared By:
Project Number:	Date:
Catalog Number:	Type:

Description

Single pole, double pole, 3-way, 4-way
15A & 20A, 120/277V/AC

Design features

- Tapered back wire openings handle multiple wire sizes and types for applications up to #10 AWG solid or stranded wire
- One-piece wrap around auto-grounding strap for ground integrity in severe conditions
- Welded construction provides superior assembly security under heavy use
- Stippled line and ground contacts ensure solid contact; ground screw clamp provides secure wiring and reduces installation time
- Tarnish resistant with minimal color change over time



7603



7604



7621



7622

Table 1. AC Decorator switches, back & side wire

Catalog No.	Description	Rating		Color Suffix
		A	V/AC	
□ 7601__	Single pole decorator switch	15	120/277	A, B, BK, GY, LA, V, W
□ 7603__	3-way decorator switch	15	120/277	B, BK, GY, LA, V, W
□ 7604__	4-way decorator switch	15	120/277	B, BK, GY, LA, V, W
□ 7621__	Single pole decorator switch	20	120/277	A, B, BK, GY, LA, RD, V, W
□ 7622__	Double pole decorator switch	20	120/277	A, B, BK, GY, LA, V, W
□ 7623__	3-way decorator switch	20	120/277	A, B, BK, GY, LA, RD, V, W
□ 7624__	4-way decorator switch	20	120/277	A, B, BK, GY, LA, V, W

Compliant with cULus and Fed. Spec

Compliances, specifications and availability are subject to change without notice.



Powering Business Worldwide

Project Name:	Prepared By:
Project Number:	Date:
Catalog Number:	Type:

Table 2. Specifications

Catalog No.	7600 Series
Device Type	Commercial Specification Grade Decorator Switches
Wiring Type	Back & side wire
Testing & Code Compliance	cULus Listed to UL 20, & CSA C22.2, no111, file no. E18704 UL Verified to Federal Spec WC-896E
Environmental Specifications	Flammability: Meets UL94 requirements; V2 rated Temperature Rating: -20°C to 60°C (-4°F to 140°F)
Electrical Specifications	Dielectric Voltage: Withstands 1500V per UL 20 Current Interrupting: Yes, at full-rated current Temperature Rise: Max. 30°C (86°F) after 100 cycles of overload and 30,000 cycles of endurance testing
Mechanical Specifications	Terminal Accommodation: #14 - 10 AWG Voltage Ratings: Permanently marked on device Horsepower Ratings: Rated for motor loads per UL 20: 15A: @ 120V/AC = 1/2 HP, @ 240V/AC = 2 HP; max. amps 12A 20A: @ 120V/AC = 1 HP, @ 240V/AC = 2 HP; max. amps 16A

Table 3. Materials for AC decorator switches

Catalog No.	7600 Series
Device Type	Commercial Specification Grade Decorator Switches
Outer Switch Housing	Polycarbonate
Inner Switch Housing	Polycarbonate
Top Housing	Polycarbonate
Bottom Housing	PVC
Strap	0.050" thick steel, 15A: zinc plated, 20A: brass plated
Auto Ground Clip	Phosphor bronze
Terminals	0.035" thick brass
Terminal Screws	#8-32 steel with #10 head, brass plated; neutral screw nickel plated
Ground Screw	#8-32 steel, zinc plated, green
Backwire Clamp	Steel, brass plated
Contacts	Silver alloy
Moveable Contact Arm	Brass
Pressure Plate	Brass

Table 4. Color ordering information

For ordering devices, include Catalog no. followed by the Color suffix: A (Almond), B (Brown), BK (Black), GY (Gray), LA (Light Almond), R (Red), V (Ivory), W (White)

A	B	BK	GY	LA	R	V	W
(Almond)	(Brown)	(Black)	(Gray)	(Light Almond)	(Red)	(Ivory)	(White)

Project Name:	Prepared By:
Project Number:	Date:
Catalog Number:	Type:

Product Dimensions

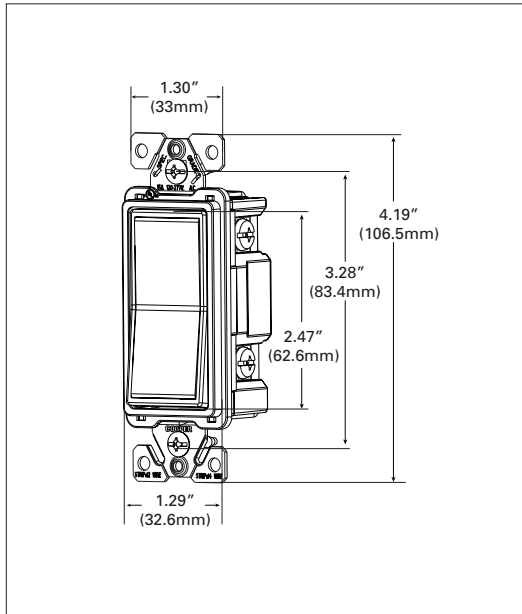


Figure 1. 7621, 7622, 7623, 7624

Certifications & Compliances

Catalog No.	cULus	FUS	RoHS
7601	•	•	•
7603	•	•	•
7604	•	•	•
7621	•	•	•
7622	•	•	•
7623	•	•	•
7624	•	•	•

KEY: cULus cULus FUS Fed. Spec RoHS

Parts are manufactured and designed in accordance with article 4 of the European Union's RoHS2 directive 2011/65/EU

Compliances, specifications and availability are subject to change without notice.

Electrical Sector
203 Cooper Circle
Peachtree City, GA 30269
United States
Eaton.com
Eaton.com/wiringdevices

Electrical Sector
Canada Operations
5925 McLaughlin Road
Mississauga, Ontario, L5R 1B8
Canada
EatonCanada.ca
Eaton.com/wiringdevices

Electrical Sector
Mexico Operations
Carr. Tlalhepantla -
Cuautitlan Km 17.8 s/n
Col. Villa Jardin esq.
Cerrada 8 de Mayo
Cuautitlan, Mexico CP 54800
Mexico
Eaton.mx
Eaton.com/wiringdevices