

### Application

Ideal for use on potable water lines where Lead-Free\* fittings are required. Recommended for a variety of water service lines including residential and commercial irrigation, swimming pools and cooling tower water. They are also designed to protect delicate equipment such as regulators and backflow preventers by filtering sediment which could cause premature failure.



### Standards Compliance

- Meets the requirements of NSF/ANSI 61\*

\*(0.25% MAX. WEIGHTED AVERAGE LEAD CONTENT)

### Materials

Main valve body Low Lead Cast Bronze ASTM B 806  
 Access covers Low Lead Cast Bronze ASTM B 806  
 Screens 20 Mesh Stainless Steel, 300 Series

### Features

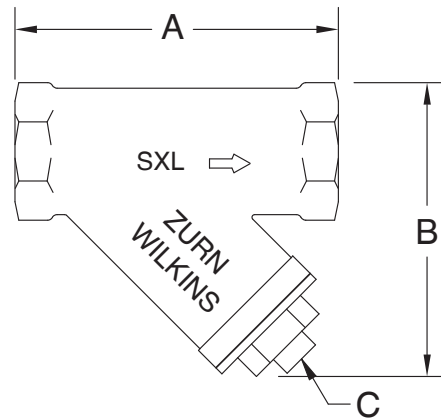
Sizes: 3/8", 1/2", 3/4", 1", 1 1/4", 1 1/2", 2", 2 1/2", 3"

Temperature/pressure rating 180°F  
 300 psi WOG  
 ANSI B1.20.1

Threaded connections (FNPT)  
 (Supplied with brass closure plug)

### Options

- C - with copper sweat connections (3/4" & 1")

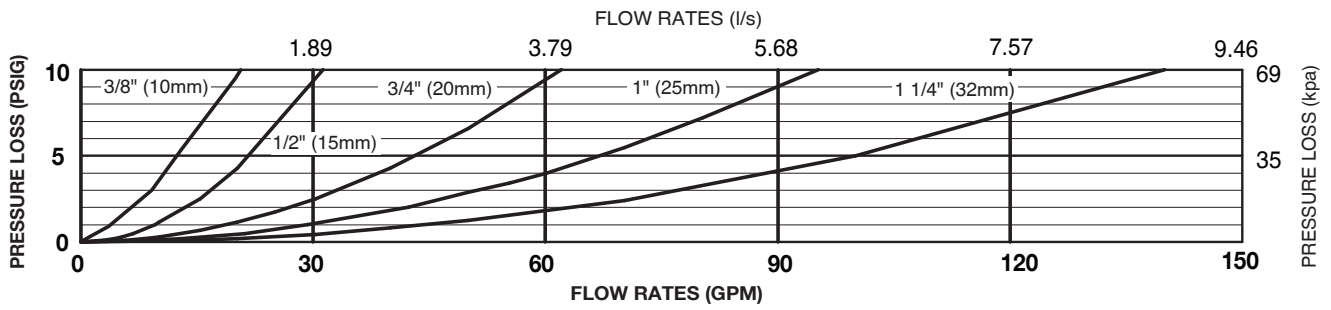


### Dimensions & Weights (do not include pkg.)

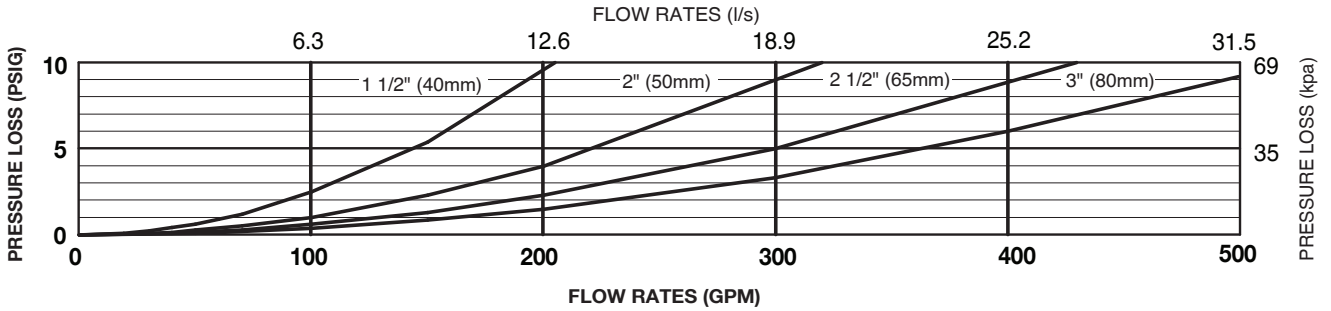
MODEL SXL (NPT CONNECTION)									
SIZE		DIMENSIONS (approximate)					WEIGHT		
in.	mm	A		B		C	lbs.	kg	
		in.	mm	in.	mm	in.			
3/8	10	3 1/4	83	3	76	3/8 NPT	1		0.5
1/2	15	3 1/4	83	3	76	3/8 NPT	1		0.5
3/4	20	3 7/8	98	3 1/2	89	3/8 NPT	1 1/4		0.6
1	25	4 1/2	114	4	102	1/2 NPT	1 3/4		0.8
1 1/4	32	5 5/16	135	4 3/4	121	1/2 NPT	2 3/4		1.2
1 1/2	40	6 5/16	160	5	127	1/2 NPT	3 1/2		1.6
2	50	7 1/2	191	6	152	1/2 NPT	6		2.7
2 1/2	65	9	229	7 1/2	191	1/2 NPT	9 1/4		4.2
3	80	10	254	8 1/2	216	1/2 NPT	14		6.4
MODEL SXLC (COPPER SWEAT CONNECTION)									
SIZE		DIMENSIONS (approximate)					WEIGHT		
in.	mm	A		B		C	lbs.	kg	
		in.	mm	in.	mm	in.			
3/4	20	3 15/16	100	3 5/16	84	3/8 NPT	1		0.5
1	25	5	127	3 15/16	100	1/2 NPT	1.5		0.7

**Flow Characteristics**

**MODEL SXL 1/2" thru 1 1/4" (STANDARD & METRIC)**



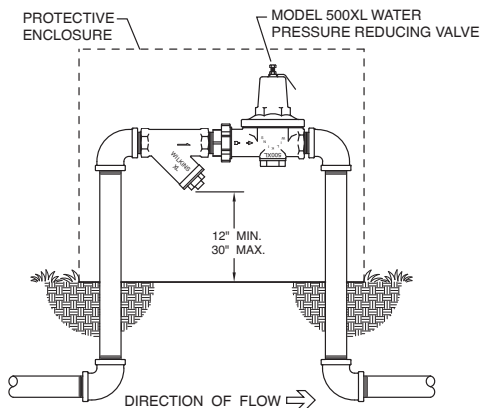
**MODEL SXL 1 1/2" thru 3" (STANDARD & METRIC)**



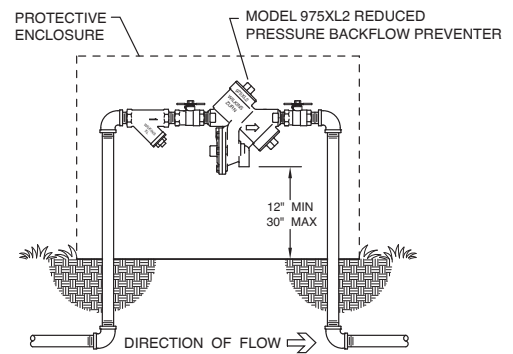
**Typical Installation**

Local codes shall govern installation requirements. Unless otherwise specified, the assembly shall be mounted in accordance with the latest edition of the Uniform Plumbing Code. If installed below grade, be certain adequate drainage is provided to prevent the device from being submerged. Horizontal installation with the strainer cap facing downward is the preferred installation orientation; however the strainer will provide protection in any orientation.

Capacity thru Schedule 40 Pipe				
Pipe size	5 ft/sec	7.5 ft/sec	10 ft/sec	15 ft/sec
1/8"	1	1	2	3
1/4"	2	2	3	5
3/8"	3	4	6	9
1/2"	5	7	9	14
3/4"	8	12	17	25
1"	13	20	27	40
1 1/4"	23	35	47	70
1 1/2"	32	48	63	95
2"	52	78	105	167



**OUTDOOR INSTALLATION**



**OUTDOOR INSTALLATION**

**Specifications**

The "Y" type strainer shall be a manufactured import certified to NSF/ANSI 61. The main body and cover shall be low lead cast bronze (ASTM B 806), the strainer screen shall be 20 mesh 300 series stainless steel and accessible for maintenance without removing the device from the line. The "Y" type strainer shall be a ZURN WILKINS Model SXL.