



4675 W. 160th St.  
Cleveland, Ohio 44135  
Ph: (800) 321-9532  
Fax: (800) 321-9535  
www.dearbornbrass.com

**SUBMITTAL SPECIFICATION**

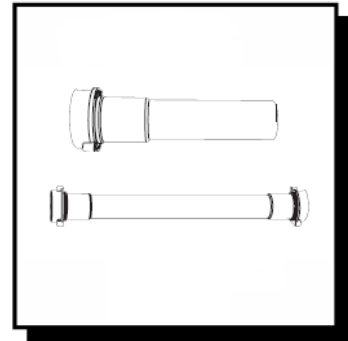
**PLASTIC TUBULAR  
1-¼" EXTENSION TUBE WITH SLIP JOINT**

**Engineering Specification:** Dearborn Brass Plastic Tubular Extension Tubes with Slip Joint are designed for use with tubular drain applications. Available in white or black polypropylene plastic. Options include one or double end connection.

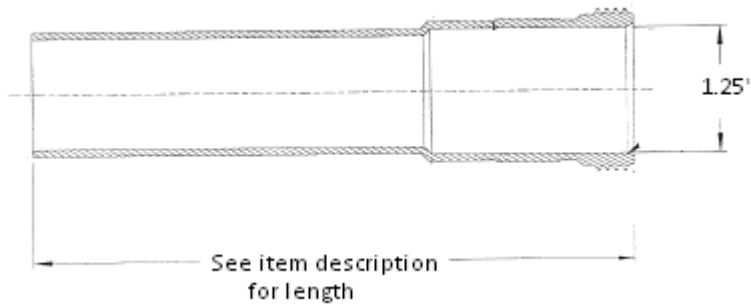
**Job Reference**

**DESCRIPTION**

- Made of polypropylene plastic
- Plastic Tubular Extension Tube
  - Extension Tube
  - (1) Slip Joint Nut
  - (1) Washer
  - (1) Reducing Washer
- Double End Extension Tubes include (2) Slip Joint Washers, (2) Washers and (2) Reducing Washers



- Meets ASTM F 409
- IAPMO Listed



✓	Product No.	Description	Carton Quantity	Carton Weight (lbs)
	P9790	1-¼" x 6" Slip Joint Extension Tube – White	12	3.5
	P9791A	1-¼" x 12" Slip Joint Extension Tube – Black	25	3.5
	P9791E	1-¼" x 16" Double Connect Slip Joint Extension Tube – White	25	4.1
	A9791E	1-¼" x 16" Double Connect Slip Joint Extension Tube – Black	25	3.9

Data is subject to manufacturing tolerances.