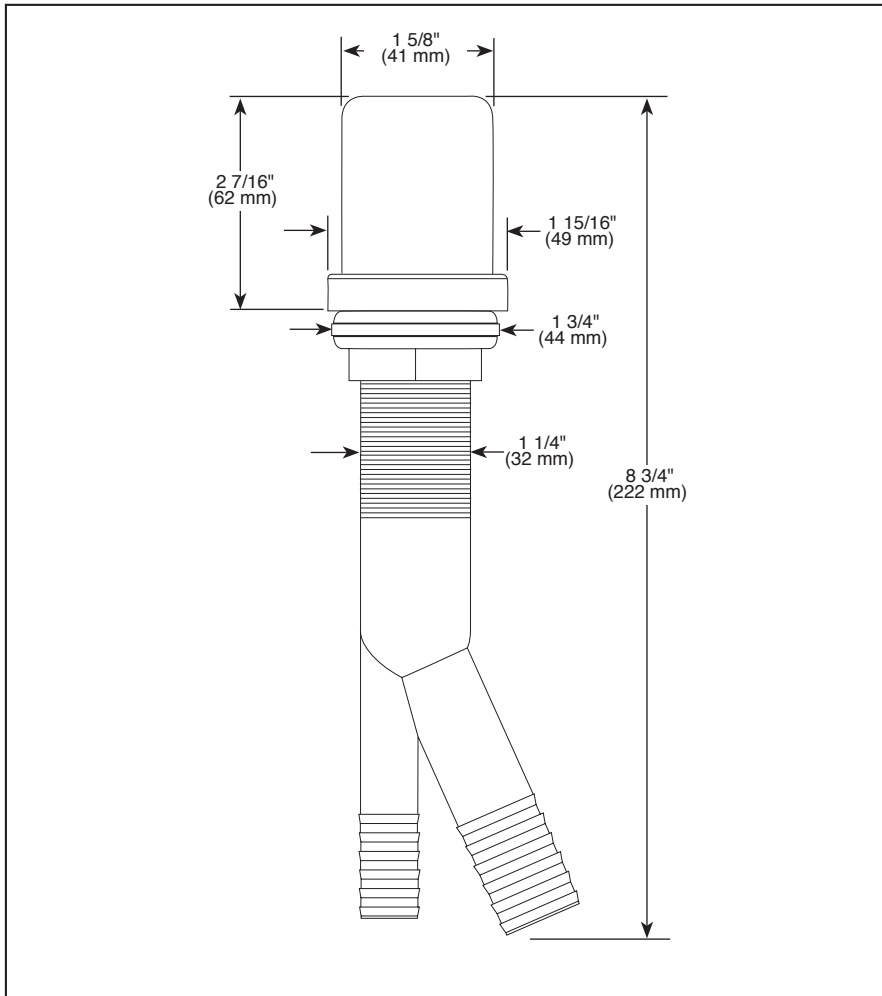


72020 ▲

Submitted Model No.: _____

Specific Features: _____



▲ Designate Proper Finish Suffix



STANDARD SPECIFICATIONS:

- To prevent backflow or back siphonage of non potable water into potable water systems.
- Deck mount only.
- Deck thickness 0" (0 mm) min. to 1 1/2" (39 mm) max.
- 1 1/4" (32 mm) minimum to 1 5/8" (41 mm) maximum mounting hole required.
- 5/8" O.D. inlet x 7/8" O.D. outlet.
- Molded polypropylene.
- Nitrile rubber washer.

WARRANTY

- Lifetime limited warranty on parts (other than electronic parts and batteries) and finishes: or, for commercial users, for 5 years from date of purchase.
- 5 year limited warranty on electronic parts (other than batteries); or, for commercial users, for 1 year from the date of purchase. No warranty is provided on batteries.

