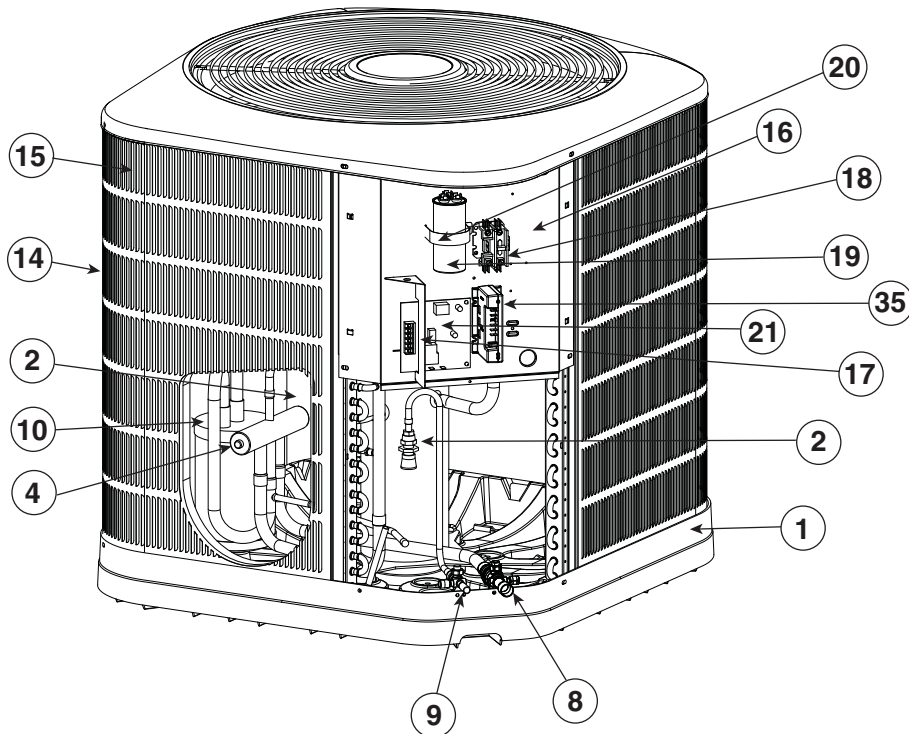
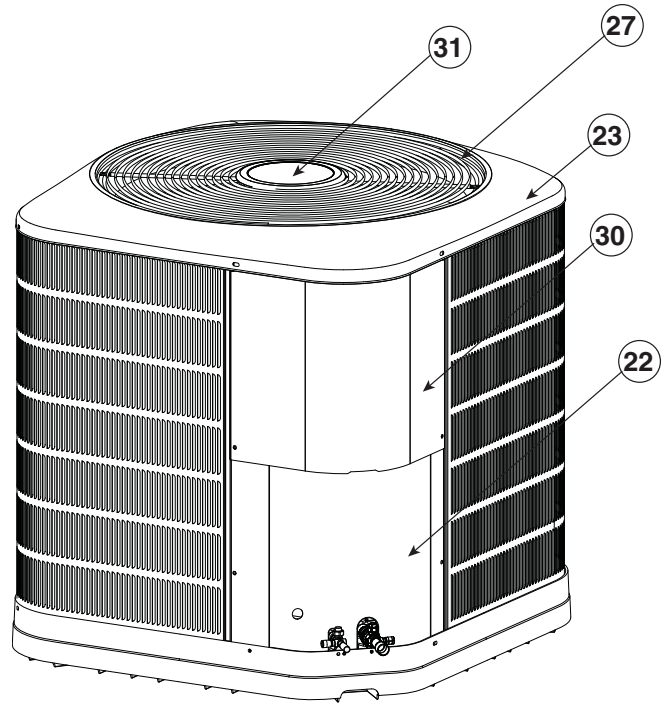


# REPLACEMENT PARTS LIST

## Residential Split System Heat Pump PSH4BF-KA Series 16 SEER Models



## PSH4BF-KA Series Residential Split System Heat Pump

ITEM	DESCRIPTION	Single Phase 208/230			
		024K	036K	048K	060K
1	Bottom Pan	669485	669485	669485	669485
2	Compressor	920334	920335	920336	920337
3	Compressor Plug LV, 2 Stage (Not Shown)	634661	634661	634661	634661
4	Reversing Valve	669465	669466	669466	669466
5	Reversing Valve Coil	669470	669470	669470	669470
6	Muffler	669546	669546	669546	669546
7	Ambient Temperature Sensor (Not Shown)	624701	624701	624701	624701
8	Refrigerant Valve (Large)	663992	663963	663963	663963
9	Refrigerant Valve (Small)	664357	664357	664357	664357
10	Accumulator	668853	668854	668854	668854
11a	Thermostatic Expansion Valve (Not Shown)	669443	669423	669424	669425
11b	Thermostatic Expansion Valve <b>NOTE:</b> For units manufactured after 7/7/2009 (Not Shown)	669770	669770	669771	669772
12	Compensator Tank (Not Shown)	N/A	669422	669422	669422
13	Coil Temperature Sensor (Not Shown)	624702	624702	624702	624702
14	Coil Guard (Formed)	277536S	277536S	277536S	277536S
15	Outdoor Coil (Formed)*	499534RD	D10250RD	D10250RD	D10250RD
16	Control Box	296211	296211	296211	296211
17	Low Voltage Divider	258791	258791	258791	258791
18	Contactora	621661	621661	621662	621662
19	Capacitor	620762	620888	621153	621717
20	Capacitor Strap	258781	258781	258780	258780
21	Repl. Defrost Control	920338	920338	920338	920338
22	Access Panel	274016S	274016S	274016S	274016S
23	Top Pan	284701	284701	284701	284701
24	Condenser Motor (Not Shown)	622288	622018	622288	622288
25	Condenser Motor Relay (Not Shown)	N/A	621931	N/A	N/A
26	Fan Blade (Not Shown)	667319	667319	667319	667319
27	Fan Grill	669591	669591	669591	669591
28	Motor Wire Conduit (Not Shown)	664290	664290	664290	664290
29	Nut, 8-32 (Not Shown)	606261	606261	606261	606261
30	Control Box Cover	276921S	276921S	276921S	276921S
31	Top Cap	289551R	289551R	289551R	289551R
32	Low Pressure Switch (Not Shown)	632393	632393	632393	632393
33	High Pressure Switch (Not Shown)	632473	632473	632473	632473
34	Condenser Motor Bracket (Not Shown)	296161	N/A	296161	296161
35	Comfort Alert 2 Module (Not Shown)	624651	624651	624651	624651
36	Crankcase Heater (Not Shown)	632410	632410	632410	632410
37	Filter Dryer (Not Shown)	669373	669373	669373	669373
38	Compressor Sound Blanket (Not Shown)	689792	689792	689792	689793
39	Compressor Power Plug, HV (Not Shown)	634659	634659	634660	634660
40	Condenser Motor Controller (Not Shown)	622292	N/A	622292	622292
41	Grommet, Compressor	688530	688530	688530	688530
42	Bolt, Compressor	600426	600426	600426	600426

Specify Model No. and Serial No. along with the exact part number(s) when ordering parts from the nearest authorized dealer or service center.

\* The outdoor coil (ITEM 15) has the distributor body brazed on at the factory. When ordering a replacement, the expansion valve (ITEM 11b) must also be ordered.



As an Energy Star Partner, NORDYNE has determined that our selected products meet the Energy Star guidelines for energy efficiency.



O'Fallon MO

7091680

7091680 (Replaces 7088660)  
Specifications & illustrations subject to change  
without notice or incurring obligations.  
Printed in U.S.A. (02/10)