

## ROUND CEILING DIFFUSER

- Concentric rings for maximum performance
- Available in steel or stamped aluminum
- White baked on finish

### APPLICATIONS

Series 800 and A 800 round ceiling diffusers provide excellent performance in variable air volume systems.



**800**



**A 800**

## CEILING DIFFUSER DAMPER

- Controls volume without limiting performance
- Sturdy steel construction
- Removable operator
- Nylon screw mechanism
- Galvanized



**800-D**

## INSTALLATION RING

- Galvanized steel construction
- To be used with series 800 diffuser for easy installation
- Provides for easy attachment of round duct work



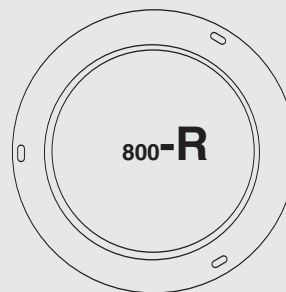
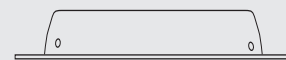
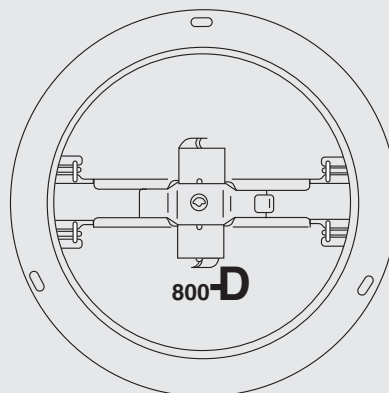
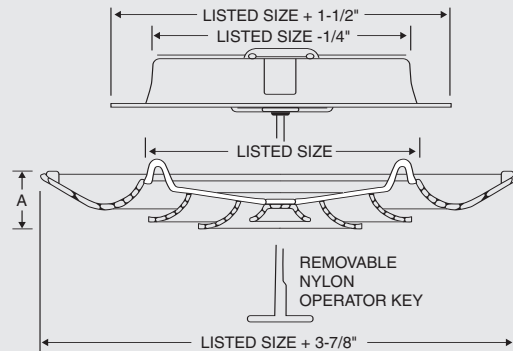
**800-R**

## Dimensional Information

DESCRIPTION	MODEL
DIFFUSER ONLY	800*
BUTTERFLY DAMPER	800-D
INSTALLATION RING	800-R

\*Available in aluminum – ADD prefix "A".

LISTED SIZE	A
6	1-1/16"
8	1-1/4"
10	1-1/2"
12	1-1/2"
14	1-3/4"



# PERFORMANCE SPECIFICATIONS

Series 800 & A 800 Ceiling Diffuser



Size	Area (Ak)	(SQ FT)	CFM												
			50	75	100	150	200	250	300	400	500	600	800	1000	1200
6"	.14	PT	.008	.019	.035	.082									
		TR	1.9	3.1	3.9	5.8									
		VK	357	535	714	1071									
8"	.24	PT		.006	.012	.024	.115								
		TR		1.8	3.0	4.4	8.9								
		VK		313	417	625	1250								
10"	.36	PT			.005	.011	.048	.140							
		TR			2.4	3.6	7.2	12.0							
		VK			278	417	833	1389							
12"	.49	PT				.009	.022	.065	.101						
		TR				2.9	6.0	10.0	12.4						
		VK				306	612	1020	1326						
14"	.63	PT				.004	.014	.041	.064	.110					
		TR				1.6	5.4	8.9	10.9	14.3					
		VK				238	476	794	1031	1269					

Total pressure loss (PT) includes total static (Ps) and velocity (Pv) pressure losses for diffuser only. Throw (Tr) is the radius of diffusion pattern in feet and based upon a terminal velocity (Vt) of 50 FPM. Face outlet velocity (Vk) is the averaged face velocities measured with a 2220A velometer jet. See figure #3 on page 103 for probe positioning.