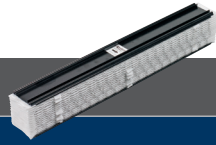


Media Specifications



REPLACEMENT MEDIA					
Media No.	Used with Aprilaire Air Cleaner Models	Nominal Size (in inches)	Static Pressure Drop (in. w.c.) @ 1200 CFM	Maximum Airflow Capacity (in CFM)	
501	5000	16" x 25"	0.14	2000	<div style="display: flex; flex-direction: column; align-items: center; justify-content: center;"> <div style="margin-bottom: 10px;">EAC</div> <div style="margin-bottom: 10px;">MERV 13</div> <div style="margin-bottom: 10px;">MERV 11</div> <div>MERV 10</div> </div>
113	1110	16" x 20"	0.29	1200	
213	1210, 1620, 2210, 3210, 4200*	20" x 25"	0.15	2000	
313	1310, 2310, 3310, 4300*	20" x 20"	0.23	1200	
413	1410, 1610, 2410, 3410, 4400*	16" x 25"	0.17	2000	
513	1510	31" x 28"	0.07	3000	
110	1110	16" x 20"	0.20	1200	
210	1210, 1620, 2210, 3210, 4200*	20" x 25"	0.11	2000	
310	1310, 2310, 3310, 4300*	20" x 20"	0.19	1200	
410	1410, 1610, 2410, 3410, 4400*	16" x 25"	0.12	2000	
510	1510	31" x 28"	0.05	3000	
201	2200 Space-Gard, 2200 Aprilaire	20" x 25"	0.14	2000	
401	2400 Space-Gard, 2400 Aprilaire	16" x 25"	0.14	2000	

UPGRADE KITS					
Media No.	Used With Space-Gard & Aprilaire Air Cleaner Models	Nominal Size (in inches)	Included Media	Static Pressure Drop (in. w.c.) @ 1200 CFM	Maximum Airflow Capacity* (in CFM)
1213	2200*	20" x 25"	213	0.15	2000
1413	2400*	16" x 25"	413	0.17	2000

REMOVAL EFFICIENCY (Based on Particle Size)			
	0.3-1.0 Microns	1.0-3.0 Microns	3.0-10 Microns
EAC	89%	95%	98%
MERV 13	63%	88%	93%
MERV 11	37%	67%	92%
MERV 10	22%	56%	92%

*Air cleaner models no longer available.

Test Method - EAC - AHRI 680-2009, MERV 10-13 - ASHRAE 52.2.2012

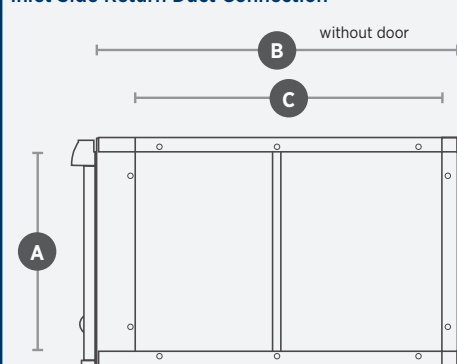
3000/2000 Series WHOLE-HOME AIR CLEANERS



3000/2000 SERIES SPECIFICATIONS AND SIZING SUMMARY

Model		Nominal Size	Shipping Weight		Replacement Media	
					Ships With	Also Uses
3210	2210	20" x 25"	18.6 lbs.	18 lbs.	Model 213	Model 210
3310	2310	20" x 20"	15.6 lbs.	15 lbs.	Model 313	Model 310
3410	2410	16" x 25"	17.6 lbs.	17 lbs.	Model 413	Model 410

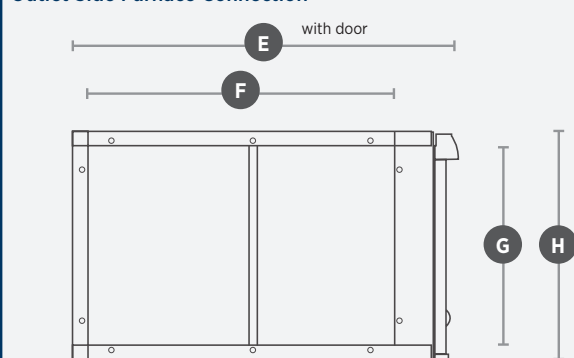
Inlet Side Return Duct Connection



Front



Outlet Side Furnace Connection



The Model 3000 and 2000 series air cleaners are shipped with MERV 13 media, so they can trap particles that are smaller than one micron.

3000 Series Air Cleaners include our Model 8476 Thermostat with Event-Based™ Air Cleaning, which gives homeowners on-demand control.

▶ FEATURES

- + Ships with MERV 13 filter
- + Can use MERV 11 filter with simple media change
- + Minimal maintenance required — simply replace media annually
- + Made of corrosion-resistant heavy gauge pre-painted steel
- + Proprietary door design and Self-Seal™ media virtually eliminates air bypass, delivering MERV performance as rated
- + UL classified cabinet and media
- + Load rated up to 400 lbs.
- + 5-year warranty on cabinet from date of installation

▶ BENEFITS

- + Offers equipment protection from dust buildup
- + Assured equipment performance
- + Media revenue — HVAC channel only
- + Superior performance over one inch panel filters and four inch cartridge filters
- + 3000 Series air cleaner and thermostat packaged for easier whole-system installation

Dim.	Description	Model		
		2210/3210	2310/3310	2410/3410
A	Inlet Opening Height	19 3/4" (502mm)	18 1/2" (459mm)	15 1/2" (392mm)
B	Outer Housing Depth without Door	25 3/8" (645mm)	20 1/2" (509mm)	28 1/2" (713mm)
C	Inlet Opening Width	21 3/8" (538mm)	15 7/8" (403mm)	23 7/8" (606mm)
D	Unit Width	6 3/4" (171mm)	6 3/4" (171mm)	6 3/4" (171mm)
E	Outer Housing Depth with Door	27 3/8" (695mm)	22 1/2" (560mm)	30 1/2" (763mm)
F	Outlet Opening Width	21 3/8" (538mm)	15 7/8" (403mm)	23 7/8" (606mm)
G	Outlet Opening Height	19 3/4" (502mm)	18 1/2" (459mm)	15 1/2" (392mm)
H	Unit Height	22 1/2" (560mm)	20 3/8" (518mm)	17 3/4" (451mm)