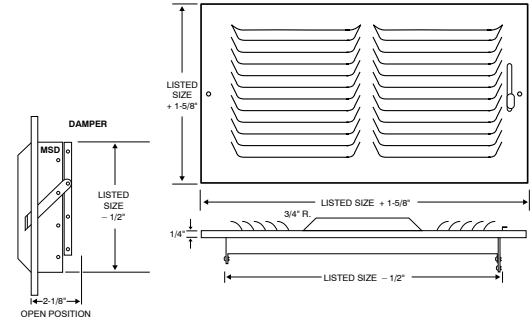


501 SERIES
ONE-WAY HORIZONTAL WITH MULTI-SHUTTER DAMPER

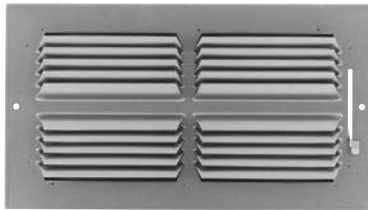


- One-way, horizontal, stamped curved blade
- 9/16" fin spacing
- Bright White enamel finish

Model	Material	Damper
501HM	Steel	MS
A501HM	Aluminum	MS

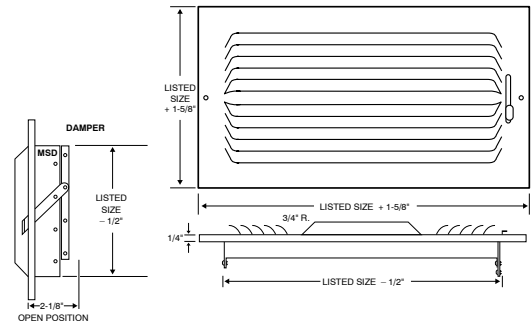


502 SERIES
TWO-WAY HORIZONTAL WITH MULTI-SHUTTER DAMPER



- Two-way, horizontal, stamped curved blade
- 9/16" fin spacing
- Bright White enamel finish

Model	Material	Damper
502HM	Steel	MS

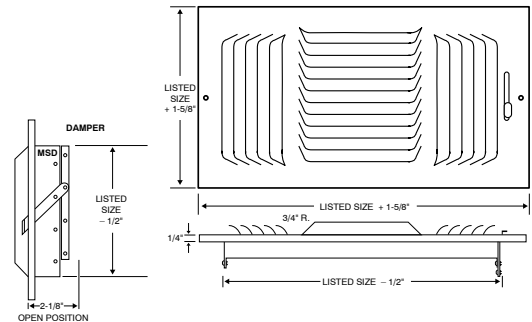


503 SERIES
THREE-WAY WITH MULTI-SHUTTER DAMPER



- Three-way, stamped curved blade
- 9/16" fin spacing
- Bright White enamel finish

Model	Material	Damper
503M	Steel	MS
A503M	Aluminum	MS



SIDEWALL REG/GRILLE