

# INSTALLATION INSTRUCTIONS CARE AND MAINTENANCE

*American  
Standard*

## Princeton® Bath w/Integral Overflow Models: 2390.202.ICH, 2391.202.ICH, 2392.202.ICH, 2393.202.ICH

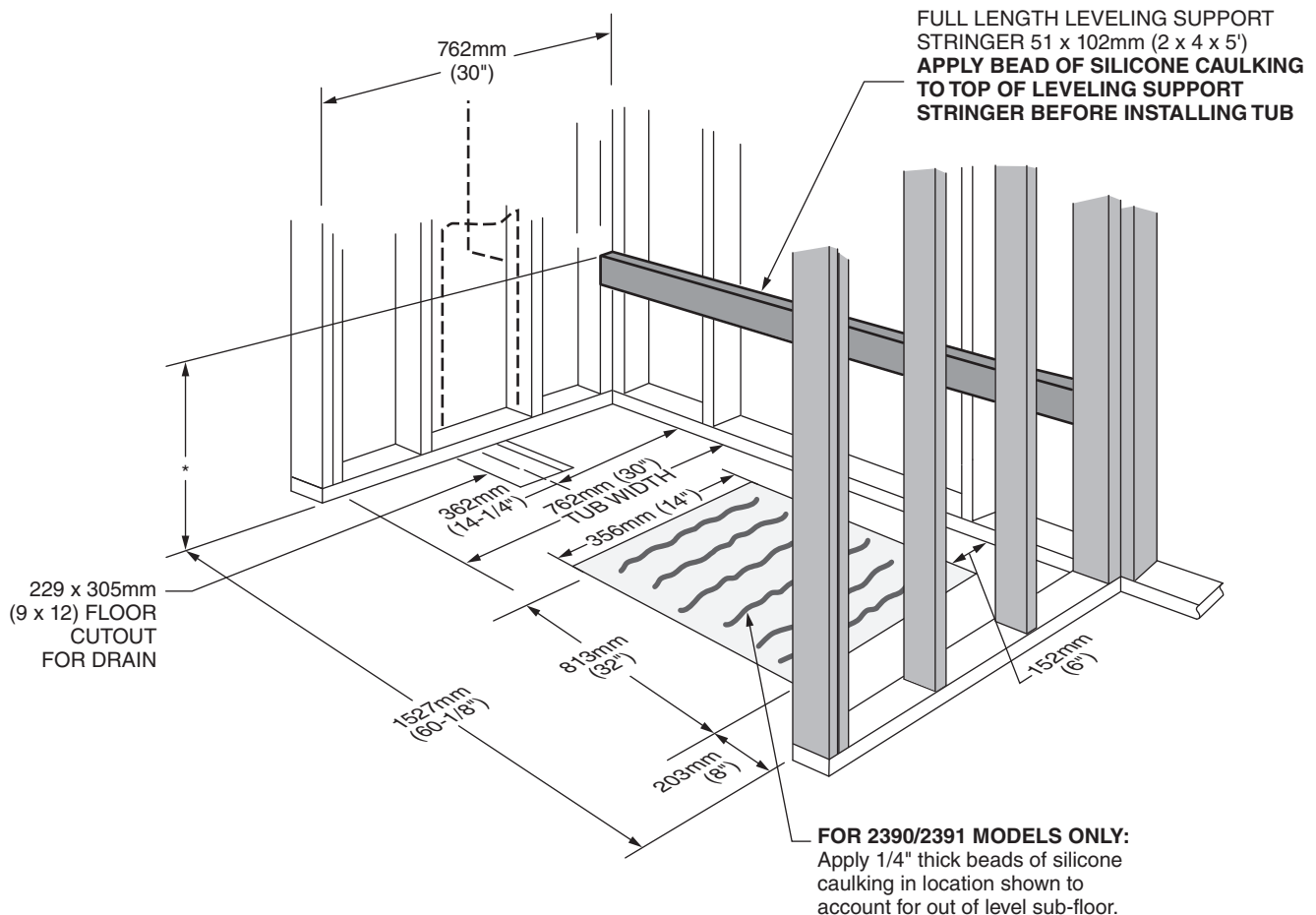
Thank you for selecting American Standard - the benchmark of fine quality for over 100 years. To ensure this product is installed properly, please read these instructions carefully before you begin. (Certain installations may require professional help.) Also be sure your installation conforms to local codes.

### Observe Local Plumbing and Building Codes

## 1 FRAMING INSTRUCTIONS

Note recess is 1527 x 762mm (60-1/8 x 30"). Cut a 229 x 305mm (9 x 12") hole in sub floor for drain, centered 362mm (14-1/4") as shown for below floor rough. Locate studs as required, then ensure rough opening dimensions are proper and supports are plumb and square.

\* Install stringer as shown (346mm [13-5/8"] for through the floor drain or 435mm [17-1/8"] for above the floor drain.)



SAVE FOR FUTURE USE

### IMPORTANT

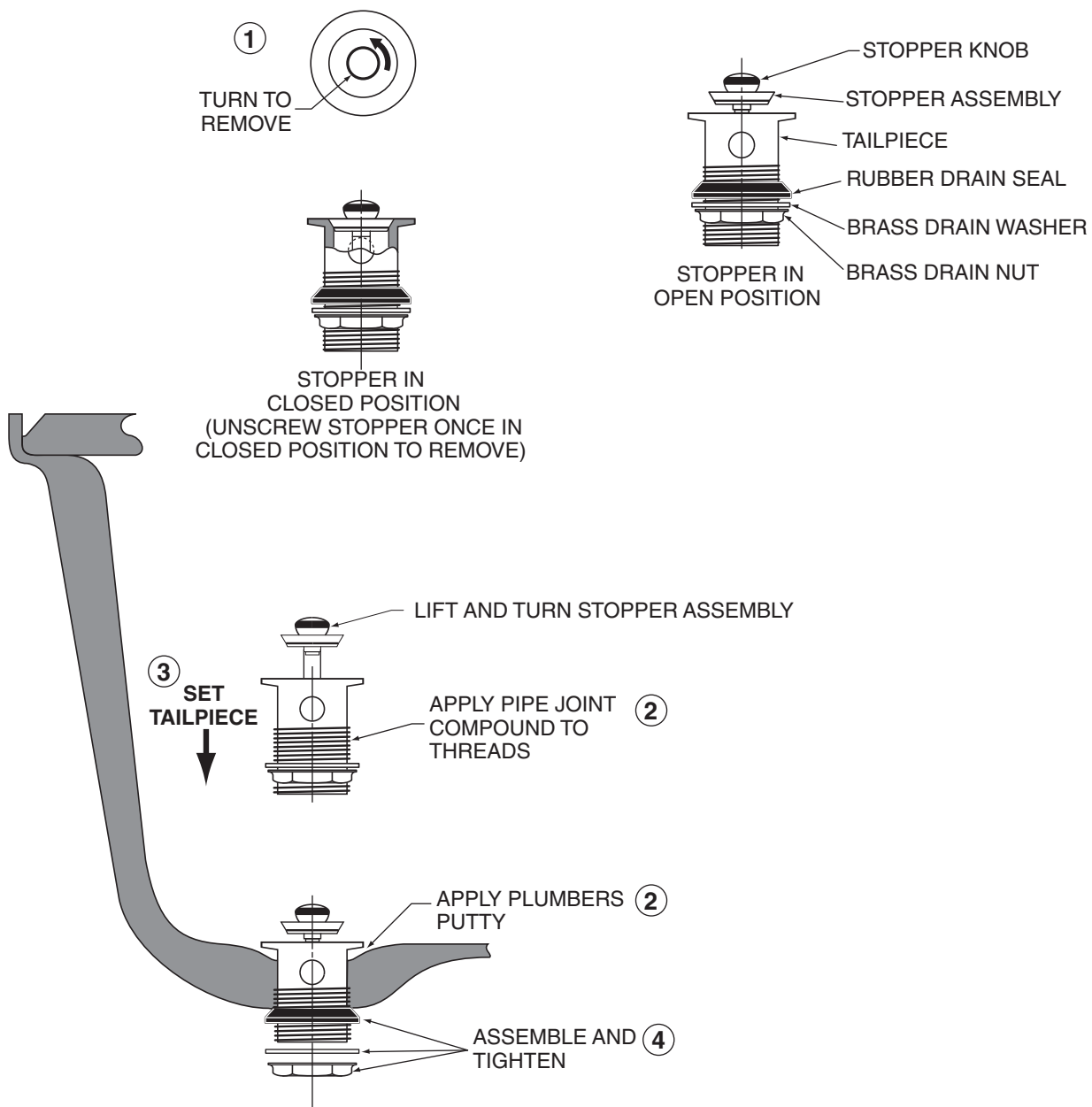
The Drain Assembly is enclosed with tub models listed above. Locate and retain for tub installation **before** discarding tub carton.

## DRAIN INSTALLATION

- ① Remove Lift and Turn Stopper and Tailpiece Assembly from box and check that all parts are included. Remove Lift and Turn Stopper Assembly from Tailpiece by setting Stopper to closed position, and turning Stopper Knob counter-clockwise. (Re-install Stopper after Drain installation is completed.)
- ② Apply plumbers putty around drain hole and pipe thread compound on threaded end of tailpiece.
- ③ Set Tailpiece in drain hole. (Lift and Turn Stopper Assembly should be removed, and reinstalled after tub installation is completed.)
- ④ From underside of tub: Place Rubber Wedge Seal on Tailpiece, small end toward tub, and center in hole, place Brass Washer on Tailpiece, and thread on Locking Nut, flange side first. Tighten Locking Nut to obtain a uniform seal between Wedge Seal and hole in tub. Tighten 1/2 to 1 turn beyond hand tight.

### DO NOT OVERTIGHTEN!

Final hook up to tub waste can be made using either internal threads in Tailpiece (1-1/2 tubing 1-1/2—28 thd.), or external threads on Tailpiece (1-1/2—11-1/2 NPSM) for appropriate tub fittings.



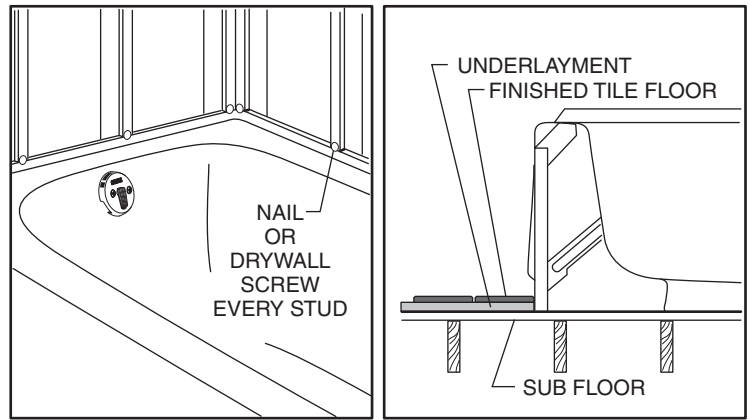
### 3 INSTALLATION - BEDDING MATERIAL (MORTAR, SANDMIX, ETC.) IS ACCEPTABLE SUB FLOOR MUST BE STRUCTURALLY SOUND & FREE OF MOVEMENT / FLEXING

The tub is provided with an integral base for easier installation. Position the bath on the floor and slide into place until the tub is resting on the rear stringer. The base does not need to contact the floor for proper installation. The base on the 2392 and 2393 models is raised above the floor to facilitate drain installation. Check level, front to back and side to side. Also check drain clearance hole in sub floor. To secure the tub to wood studs, use sheet rock screws with washers immediately above the flange of the tub. To secure the tub to steel studs, use drywall screws and flat washers. (See Step 4)

**Caution: Take Extra Care When Driving Nails or Screws To Avoid Damaging The Tub.**

The tile or similar finished floor will be butted against the bottom of the tub apron also holding the tub in place.

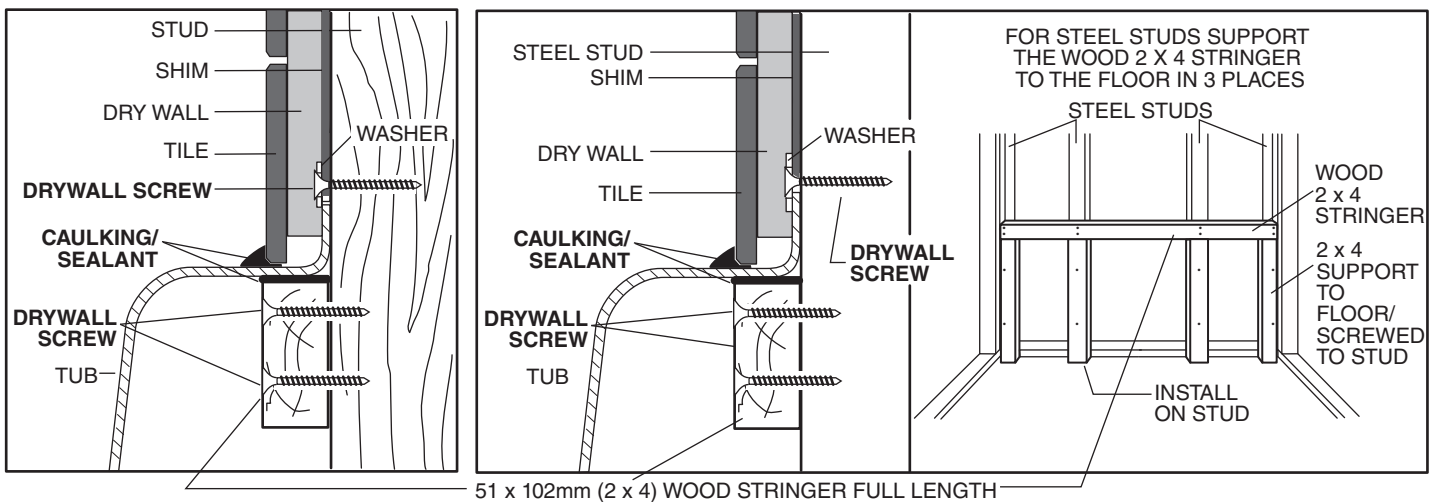
**NOTE: Warranty will be voided if the drain is installed after the tub has been set in place.**



4 Below is shown typical cross sections of the tub rim showing typical wall constructions.

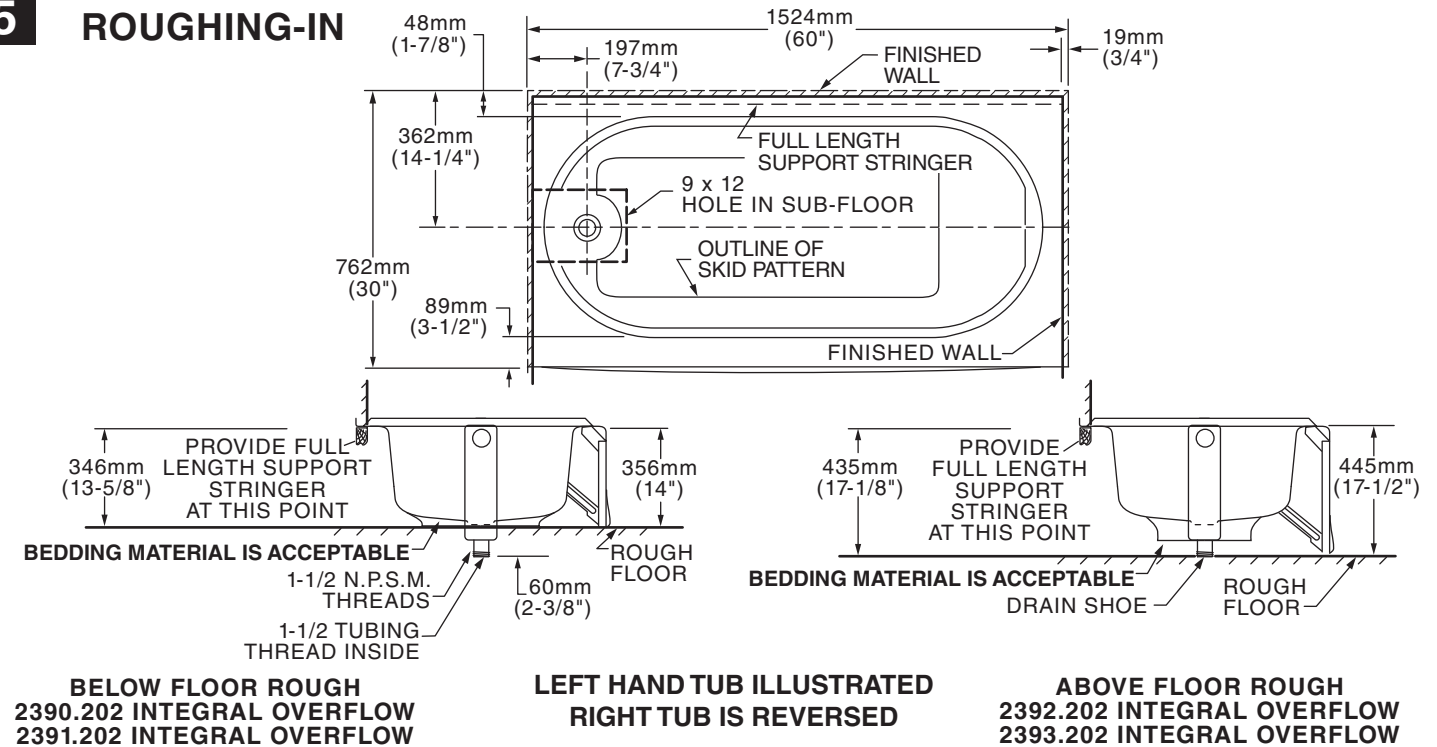
#### WOOD STUDS

#### STEEL STUDS



51 x 102mm (2 x 4) WOOD STRINGER FULL LENGTH

### 5 ROUGHING-IN



**AS AMERICA, INC. LIMITED LIFETIME WARRANTY FOR PERSONAL RESIDENTIAL USE AMERICAST® TUBS**

**WARRANTY COVERAGE**

AS America, Inc. ("American Standard") warrants this product against defects in materials and workmanship under normal residential use for as long as it is owned by the original consumer purchaser. The lifetime warranty does not apply to this product's textured bottom surface. American Standard warrants the textured bottom surface against defects in materials and workmanship under normal residential use for a period of ONE (1) year from the date of first purchase. This warranty is provided for the exclusive benefit of the initial consumer purchaser or owner. This warranty is non-transferable to subsequent purchasers or owners. The sole exception to the non-transferability of this warranty is that if this product is purchased by a plumber, contractor or other service provider, this warranty extends to the first residential property owner on whose behalf the product was purchased for installation. This warranty applies only to tubs installed in the United States of America, Canada or Mexico. If a defect arises and a valid claim is received, American Standard will, at its option, either repair or replace the defective product free of charge. The decision whether to repair or replace is determined by American Standard in its sole discretion. Proof of purchase (original sales receipt) must be provided to American Standard with all warranty claims. This warranty only applies to American Standard Americast® tubs. Unless otherwise specified, all other American Standard options and accessories are covered by the AS AMERICA, INC. ONE YEAR LIMITED WARRANTY, which warrants options and accessories against defects in material and workmanship for one (1) year from the date of first purchase.

**EXCLUSIONS AND LIMITATIONS**

1. This warranty does not apply to commercial installations (defined as installations in apartments and other rental units, non-residential facilities, hotels, commercial businesses and/or other public accommodations). The AS AMERICA, INC. LIMITED WARRANTY FOR COMMERCIAL USE AMERICAST® TUBS applies to commercial installations.
2. This warranty only applies to products purchased after January 1, 2017.
3. This warranty only applies to products purchased through an authorized AS America, Inc. dealer or re-seller.
4. This warranty does not apply to defects or damage caused by non-genuine American Standard parts, installation error, product abuse, product misuse, improper maintenance, improper care or cleaning, improper repair or installation, and/or movement or transfer of the tub from its original installation location (whether performed by you, a plumber, a contractor or a service company). Because improper care and cleaning can cause significant damage to the tub, it is strongly recommended that you follow the Care and Cleaning Instructions (as well as the other instructions) that accompanied the tub.
5. American Standard is not responsible for labor charges and/or damage incurred during installation, repair or replacement.
6. American Standard does not warrant that this product and/or its installation complies with local code requirements. American Standard recommends that you consult with a plumbing contractor about local code requirements.

TO THE EXTENT PERMITTED BY LAW, THIS WARRANTY IS EXCLUSIVE AND IN LIEU OF ALL OTHER WARRANTIES, WHETHER ORAL OR WRITTEN, STATUTORY, EXPRESS OR IMPLIED. AMERICAN STANDARD HEREBY EXCLUDES SPECIAL, INCIDENTAL AND CONSEQUENTIAL DAMAGES FOR ANY BREACH OF ANY EXPRESS OR IMPLIED WARRANTY APPLICABLE TO THIS PRODUCT.

Some states do not allow the exclusion or limitation of incidental or consequential damages, so the above limitations and exclusions may not apply to you. This warranty gives you specific legal rights, and you may also have other rights which vary from state to state (or province, as applicable).

**OBTAINING WARRANTY SERVICE**

If you believe that you have a warranty claim, contact American Standard, either through an authorized AS America, Inc. dealer or re-seller, or by writing:

**In the United States:**  
 AMERICAN STANDARD BRANDS  
 One Centennial Avenue  
 Piscataway, NJ 08854  
 Attn: Director of Consumer Affairs  
 For other information, or to obtain the name and address of the service and repair facility nearest you, call (800) 442-1902  
[www.americanstandard.com](http://www.americanstandard.com)

**In Canada:**  
 AS CANADA ULC  
 5900 Avebury Road  
 Mississauga, Ontario  
 Canada L5R 3M3  
 For other information, or to obtain the name and address of the service and repair facility nearest you, call (800) 387-0369  
[www.americanstandard.ca](http://www.americanstandard.ca)

**In Mexico:**  
 AMERICAN STANDARD B&K MEXICO  
 S. de R.L. de C.V.  
 Via Morelos #330  
 Col. Santa Clara  
 Ecatepec 55540, Edo. Mexico  
 For other information, or to obtain the name and address of the service and repair facility nearest you, call 01-800-839-1200  
[www.americanstandard.com.mx](http://www.americanstandard.com.mx)

Please be sure to provide all pertinent information regarding your claim, including a complete description of the problem, the product, model number, color, finish, purchase date, and from whom the product was purchased.

**AS AMERICA, INC. LIMITED WARRANTY FOR COMMERCIAL USE AMERICAST® TUBS**

**WARRANTY COVERAGE**

AS America, Inc. ("American Standard") warrants this product against defects in materials and workmanship under normal commercial use for a period of TEN (10) years from the date of first purchase. The TEN (10) year warranty period does not apply to this product's textured bottom surface. American Standard warrants the textured bottom surface against defects in materials and workmanship under normal commercial use for a period of ONE (1) year from the date of first purchase.

Commercial use is defined as installations in apartments and other rental units, non-residential facilities, hotels, commercial businesses and/or other public accommodations. This warranty is provided for the exclusive benefit of the initial commercial purchaser or owner. This warranty is non-transferable to subsequent purchasers or owners. The sole exception to the non-transferability of this warranty is that if this product is purchased by a plumber, contractor or other service provider, this warranty extends to the first commercial owner on whose behalf the product was purchased for installation. This warranty applies only to tubs installed in the United States of America, Canada or Mexico.

If a defect arises and a valid claim is received, American Standard will, at its option, either repair or replace the defective product free of charge. The decision whether to repair or replace is determined by American Standard in its sole discretion. Proof of purchase (original sales receipt) must be provided to American Standard with all warranty claims. This warranty only applies to American Standard Americast® tubs. Unless otherwise specified, all other American Standard options and accessories are covered by the AS AMERICA, INC. ONE YEAR LIMITED WARRANTY, which warrants options and accessories against defects in material and workmanship for one (1) year from the date of first purchase.

**EXCLUSIONS AND LIMITATIONS**

1. This warranty does not apply to personal residential installations. The AS AMERICA, INC. LIFETIME LIMITED WARRANTY FOR PERSONAL RESIDENTIAL USE AMERICAST® TUBS applies to personal residential installations.
2. This warranty only applies to products purchased after January 1, 2017.
3. This warranty only applies to products purchased through an authorized AS America, Inc. dealer or re-seller.
4. This warranty does not apply to defects or damage caused by non-genuine American Standard parts, installation error, product abuse, product misuse, improper maintenance, improper care or cleaning, improper repair or installation, and/or movement or transfer of the tub from its original installation location (whether performed by you, a plumber, a contractor or a service company). Because improper care and cleaning can cause significant damage to the tub, it is strongly recommended that you follow the Care and Cleaning Instructions (as well as the other instructions) that accompanied the tub.
5. American Standard is not responsible for labor charges and/or damage incurred during installation, repair or replacement.
6. American Standard does not warrant that this product and/or its installation complies with local code requirements. American Standard recommends that you consult with a plumbing contractor about local code requirements.

TO THE EXTENT PERMITTED BY LAW, THIS WARRANTY IS EXCLUSIVE AND IN LIEU OF ALL OTHER WARRANTIES, WHETHER ORAL OR WRITTEN, STATUTORY, EXPRESS OR IMPLIED. AMERICAN STANDARD HEREBY EXCLUDES SPECIAL, INCIDENTAL AND CONSEQUENTIAL DAMAGES FOR ANY BREACH OF ANY EXPRESS OR IMPLIED WARRANTY APPLICABLE TO THIS PRODUCT.

Some states do not allow the exclusion or limitation of incidental or consequential damages, so the above limitations and exclusions may not apply to you. This warranty gives you specific legal rights, and you may also have other rights which vary from state to state (or province, as applicable).

**OBTAINING WARRANTY SERVICE**

If you believe that you have a warranty claim, contact American Standard, either through an authorized AS America, Inc. dealer or re-seller, or by writing:

**In the United States:**  
 AMERICAN STANDARD BRANDS  
 One Centennial Avenue  
 Piscataway, NJ 08854  
 Attn: Director of Consumer Affairs  
 For other information, or to obtain the name and address of the service and repair facility nearest you, call (800) 442-1902  
[www.americanstandard.com](http://www.americanstandard.com)

**In Canada:**  
 AS CANADA ULC  
 5900 Avebury Road  
 Mississauga, Ontario  
 Canada L5R 3M3  
 For other information, or to obtain the name and address of the service and repair facility nearest you, call (800) 387-0369  
[www.americanstandard.ca](http://www.americanstandard.ca)

**In Mexico:**  
 AMERICAN STANDARD B&K MEXICO  
 S. de R.L. de C.V.  
 Via Morelos #330  
 Col. Santa Clara  
 Ecatepec 55540, Edo. Mexico  
 For other information, or to obtain the name and address of the service and repair facility nearest you, call 01-800-839-1200  
[www.americanstandard.com.mx](http://www.americanstandard.com.mx)

Please be sure to provide all pertinent information regarding your claim, including a complete description of the problem, the product, model number, color, finish, purchase date, and from whom the product was purchased.