

TRADITIONAL POT FILLER



- Ceramic disc valves cartridge
- Two-piece adjustable arm folds out of the way when not in use
- Spout extends 22"
- Designed for cold water attachment
- Single hole wall mount and single control actuator
- Lead Free — faucet contains $\leq 0.25\%$ total lead content by weighted volume
- 3.0 gpm (11.4 L/min) flow rate at 45 psi

CODES AND STANDARDS

Meets or Exceeds ASME A112.18.1/ CSA B125.1, NSF 61/Section 9

Certified Compliant with $\leq 0.25\%$ Weighted Average Lead Content Regulations

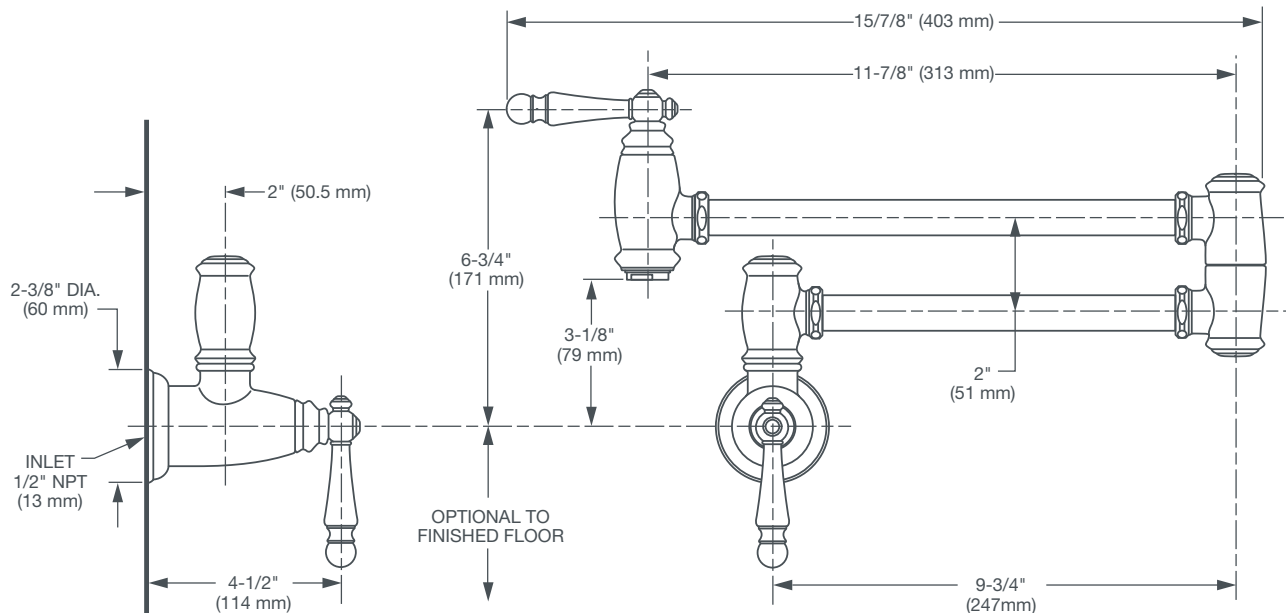
CEC and CALGreen® Compliant

Available Finishes
Polished Chrome
Ultra Steel

Finish Code
100
355

DESCRIPTION
Traditional Pot Filler

PRODUCT NUMBER
D35402900.XXX



IMPORTANT: These measurements are subject to change or cancellation. No responsibility is assumed for use of superseded or voided pages.