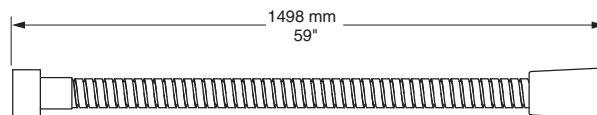
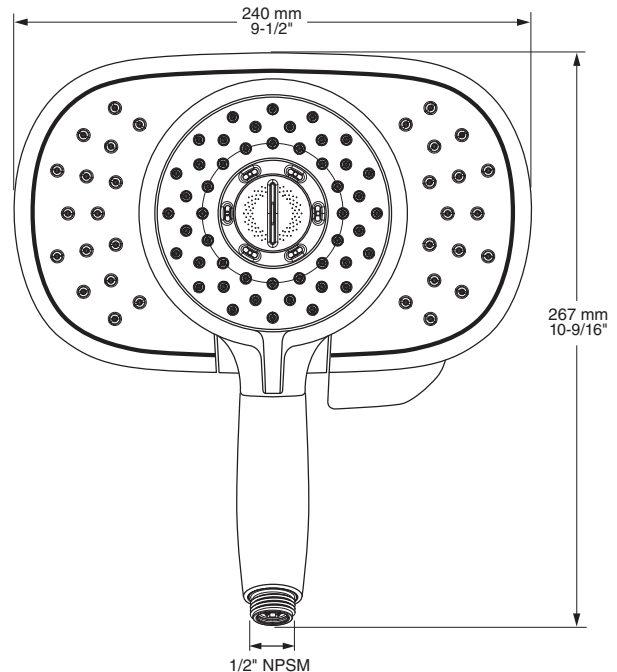
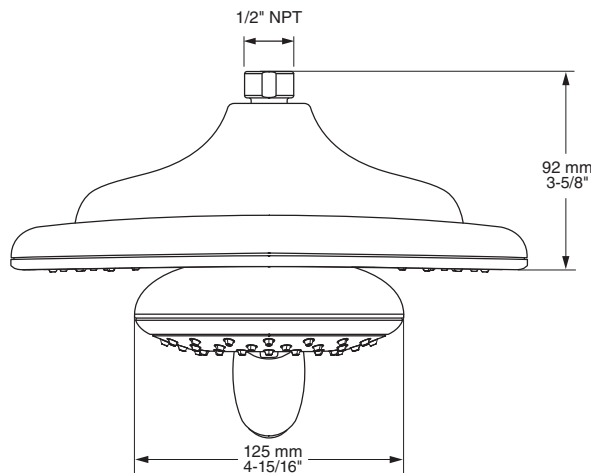




MODEL NUMBER:

□ 9038254 Spectra® Duo
4-Function 2-in-1 Showerhead



GENERAL DESCRIPTION:

2-in-1 Showerhead adjusts from Drench to Sensitive to jet to Massage. Permanent built-in compensating flow control device. 1.8 gpm/6.8 L/min. maximum flow rate.

PRODUCT FEATURES:

Water Saving: WaterSense certified.

Pressure Compensating Flow Control Device: Provides consistent flow over a wide pressure range.

Variety of Spray Functions: Allows the user to select the spray functions best suited to their needs.

DivertPaddle™ : Allows for an easy switch between spray heads.

Magenetic docking: Hand shower securely docks on the shower head magnetically.

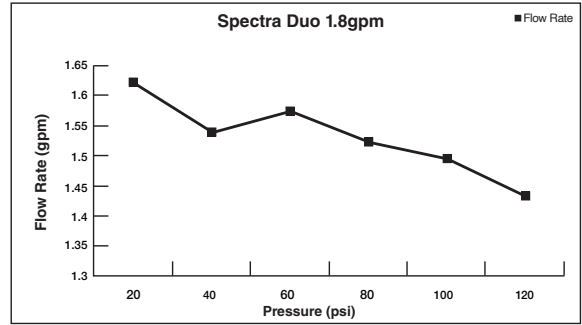
SUGGESTED SPECIFICATION

2-in-1 Showerhead shall feature 4 spray functions. 2-in-1 shall have a pressure compensating flow control device and check valve to prevent cross flow of hot and cold water. Fitting shall be American Standard Model # 9038254.

CODES AND STANDARDS

These products meet or exceed the following codes and standards:

- ASME A112.18.1**
- CSA B125.1**
- EPA WaterSense**



Product Number	Description		Finish Options					
			Polished Chrome	Brushed Nickel	Polished Nickel	Legacy Bronze	Matte Black	Brushed Cool Sunrise
			002	295	013	278	243	GN0
9038254	Spectra® Duo 4-Function 2-in-1 Showerhead.	CEC	✓	✓	✓	✓	✓	✓
1660240	Standard Shower Arm and Flange		✓	✓	✓	✓	✓	✓
1660241	Modern Shower Arm and Flange		✓	✓	✓	✓	✓	✓