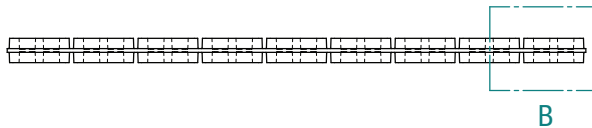
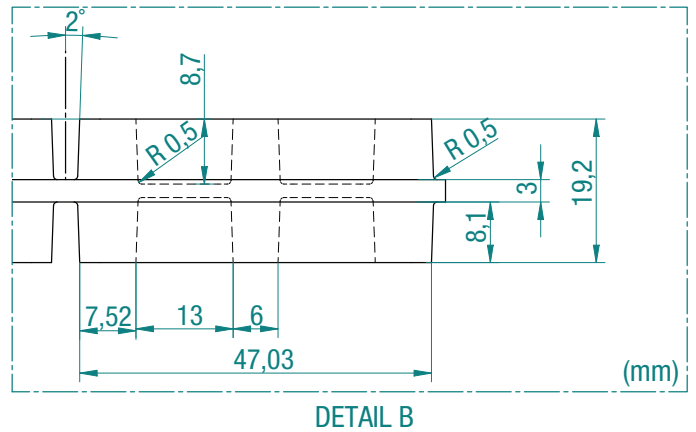
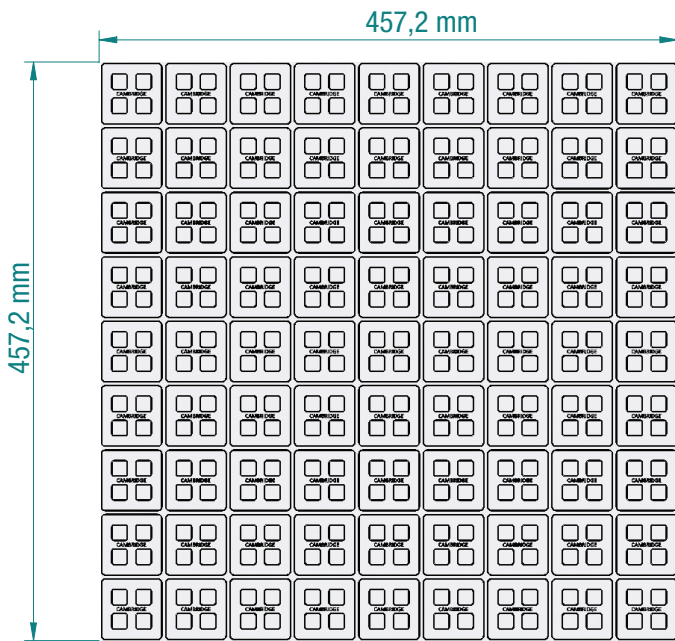




Cambridge Isolation Pads

200561

| Specifications | |
|-------------------------------|------------------------|
| Dimension: | 18" L x 18" W x 3/4" D |
| Hardness: | 57 Shore A |
| Tensile Strength: | 3.92 MPa |
| Elongation: | 193% |
| Density: | 1.34 g/cm3 |
| Material: | Reclaimed Rubber |
| Dimensional Tolerance: | ISO 3302-1, class M3 |



Usage Recommendations: Cambridge™ natural rubber isolation pads are designed to reduce vibration and noise from refrigeration and air conditioning equipment. Each pad offers a suction cup effect eliminating the need to fasten the pad down. These pads come in 18" squares but can be made into smaller segments by cutting or tearing the eighty-one 2x2 segments into the size that is required. They withstand a load of 180 psi with great resilience.



990 E North Ave. Glendale Heights, IL 60148 | P. 773-265-3000 | www.CambridgeResources.com

**premium.
industrial.
products.**