

Brass Gate Valve

Brass Body • Non-Rising Stem • Full Port

200 PSI/14 Bar Non-Shock Cold Working Pressure
Truesdail LAB listed to NSF/ANSI 61-8

MATERIAL LIST

PART	SPECIFICATION
1. Nut	Steel plated ASTM A 108 Alloy G10100
2. Name Plate	Aluminum ASTM B 209 Alloy 1100
3. Handwheel	Cast Iron ASTM A 48 Class No. 35
4. Stem	Brass ASTM B 16 Alloy C36000
5. Packing Nut	Brass ASTM B 16 Alloy C36000 or B 584 Alloy C85700
*6. Gland	Brass ASTM B 16 Alloy C36000
7. Packing	Graphite/Rubber Non-Asbestos
8. Bonnet	Brass ASTM B 584 Alloy C85700
9. Lock Nut	Brass ASTM B 16 Alloy C 36000
10. Wedge	Brass ASTM B 584 Alloy C85700
11. Body	Brass ASTM B 584 Alloy C85700

* Packing gland only for valves 1½" and larger.

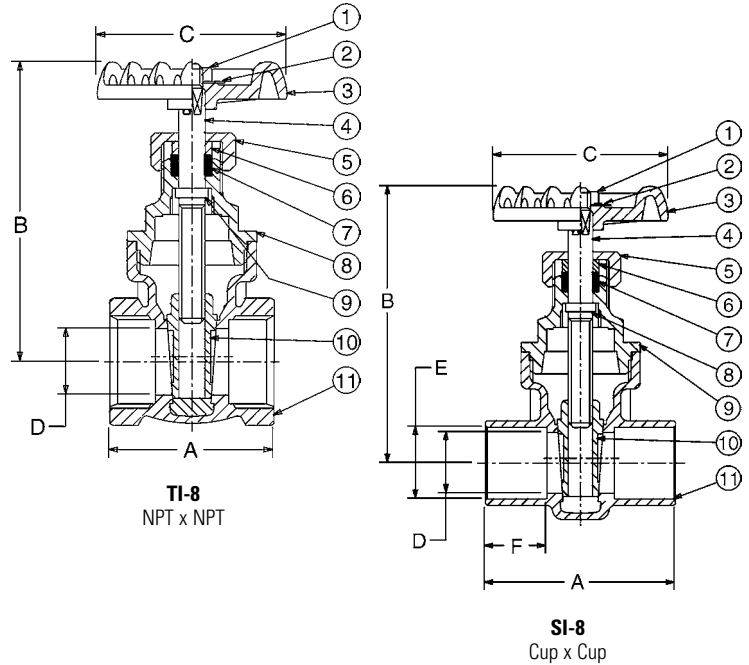
† Available with Drain in sizes ½" and ¾" for TI-8. Specify TI-8D on order.



TI-8
Threaded



SI-8
Solder



DIMENSIONS—WEIGHTS

Size	Dimensions																WEIGHT								
	TI-8		SI-8		TI-8		SI-8		TI-8		SI-8		TI-8		SI-8		TI-8		SI-8						
	A	A	B	B	C	C	D	D	E	F	A	A	B	B	C	C	Lbs.	Kg.	Lbs.	Kg.					
¼	8	1.61	41	—	—	2.76	70	—	—	2.13	54	—	—	0.39	10	—	—	—	—	—	—	0.55	0.25	—	—
⅜	10	1.61	41	1.57	40	2.76	70	2.76	70	2.13	54	2.13	54	0.39	10	0.39	10	.50	13	0.38	10	0.55	0.25	0.55	0.25
½	15	1.69	43	1.77	45	2.83	72	2.83	72	2.13	54	2.13	54	0.50	12	0.50	13	.63	16	0.50	13	0.59	0.27	0.59	0.27
¾	20	1.85	47	2.32	59	3.31	84	3.31	84	2.13	54	2.13	54	0.75	19	0.75	19	.88	22	0.75	19	0.77	0.35	0.77	.035
1	25	2.13	54	2.76	70	3.86	98	3.86	98	2.40	61	2.40	61	0.94	24	0.94	24	1.13	29	0.91	23	1.06	0.48	1.06	0.48
1¼	32	2.40	61	2.87	73	4.57	116	4.57	116	3.03	77	3.03	77	1.25	32	1.25	32	1.38	35	0.97	25	1.54	0.70	1.54	0.70
1½	40	2.56	65	3.19	81	4.92	125	4.92	125	3.03	77	3.03	77	1.48	38	1.48	38	1.63	41	1.09	28	2.11	0.96	2.11	0.96
2	50	2.83	72	3.90	99	6.02	153	6.02	153	3.27	83	3.27	83	1.94	49	1.94	49	2.13	54	1.34	34	3.17	1.44	3.17	1.44
*2½	65	3.50	89	4.61	117	7.32	186	7.32	186	4.13	105	4.13	105	2.48	63	2.48	63	2.63	67	1.47	37	3.79	2.63	5.79	2.63
*3	80	3.98	101	5.20	132	8.70	221	8.70	221	4.41	112	4.41	112	2.95	75	2.95	75	3.13	80	1.66	42	8.10	3.68	8.10	3.68
*4	100	4.57	116	—	—	10.16	258	—	—	6.67	172	—	—	3.62	92	—	—	—	—	—	—	20.94	9.52	—	—

*Conventional Port only