

# Water Heater Thermostats

## Therm-O-Disc Style

UL listed • Meets original specification lengths for American, AO Smith, Bradford White, Craftmaster, GE, GSW, Kenmore, Maytag, Reliance, Rheem, Richmond, Rudd, Sears, State, Whirlpool

- Carded thermostats are packed in convenient cut cases and come complete with detailed instructions and wiring diagrams for easy installation
- Built-in safety switch on single and upper thermostats to prevent overheating • Energy efficient range setting

### Therm-O-Disc Style Thermostats

Stock #	Description	Therm-O-Disc Style	HLC	Application Voltage	Qty.
08163	Thermostat, Upper	59T/66T	Yes	240/208/277/120/480	12
08123	Thermostat, Lower	59T	-	240/208/277/120/480	12
08143	Thermostat, Single Element	59T/66T	Yes	240/208/277/120/480	12
08013	Thermostat, Single Element 120V	59T/66T	Yes	120	12
08213	Thermostat, Upper	89T	Yes	240/208/277/120/480	12
08223	Thermostat, Single Element	89T	Yes	240/208/277/120/480	12

HLC = High Limit Control

### Therm-O-Disc Style Terminal Protector

Stock #	Description	Qty.
08113	TOD Upper T-Stat Terminal Protector	12
08103	TOD Lower T-Stat Terminal Protector	12

Therm-O-Disc Style Thermostats do not include a Plastic Terminal Protector. Order 08113 or 08103 if shield is damaged or missing.



08163  
Upper Thermostat



08123  
Lower Thermostat



08143  
Single Element  
Thermostat



08013  
Single Element  
Thermostat



08213  
Upper Thermostat



08223  
Single Element  
Thermostat



08113  
Upper Thermostat  
Protective Cover



08103  
Lower Thermostat  
Protective Cover

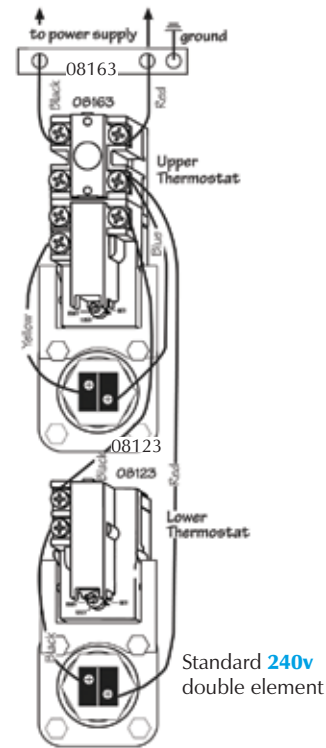
Stock thermostats that end in 3 are carded.  
To order items in bulk, change the last digit of the stock number to 2.  
Minimum order quantity for bulk items is 25.

## Therm-O-Disc Style

Wiring Diagram of Thermostats to Standard Water Heater Elements

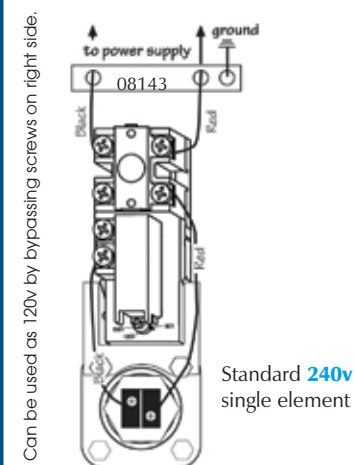
Note: Wire color may vary on some water heaters, but connections remain the same.

### Double Element Water Heaters

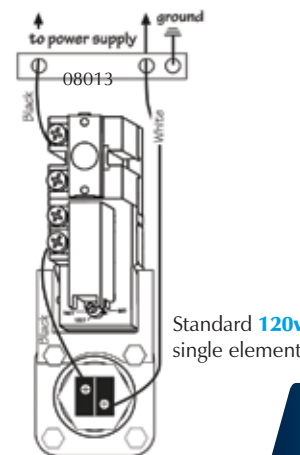


Standard 240v  
double element

### Single Element Water Heaters



Standard 240v  
single element



Standard 120v  
single element