



# PRO Series® Food Waste Disposers



## PRO 750® Evolution Series®

Perfect for small households or restricted cabinet space.

### Submittal Sheet

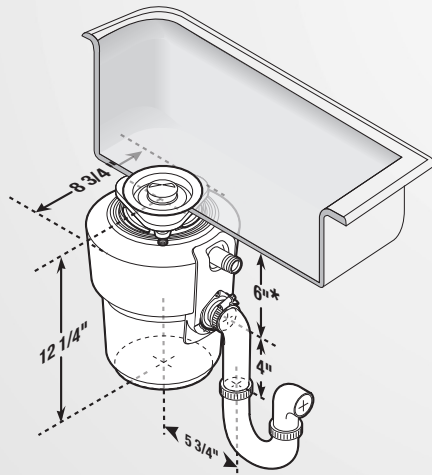
Perfect for small households or restricted cabinet space.

- **SoundSeal®** technology delivers quiet performance versus a standard disposer.
- **MultiGrind®** technology delivers 2 stages of grind vs. 1 stage in standard disposer.
- Includes sound-reducing Quiet Collar® Sink Baffle containing antimicrobial material.
- Made in USA exclusively for professional plumbing contractors.

### Specifications

Type of Feed	Continuous
On/Off Control	Wall Switch
Motor	Single Phase
HP	3/4
Reversing	Auto-Reverse Grind System® feature
Volts	120
HZ	60
RPM	1725
Amp. (Avg. Load)	9.52
Time Rating	Intermittent
Lubrication	Permanently Lubricated Upper & Lower Bearings
Shipping Weight (Approx.)	19.2 lbs.
Unit Finish	Black Enamel Black
Overall Height	12-1/4"
SoundSeal Plus Technology	Anti-Vibration Mount® Anti-Vibration Tailpipe Mount™ Antimicrobial Quiet Collar® Sink Baffle SoundLimiter™ Insulation
MultiGrind Technology	GrindShear Ring®
Grind Chamber Capacity	34.6 oz.
Motor Protection	Manual Reset Overload
Average Water Usage	Approx. 1 Gallon Per Person Per Day
Average Electrical Usage	3-4 KWh Per Year
Drain Connection	1-1/2" Anti-Vibration (Hose Clamp)
Dishwasher Drain Connection	Yes

### Dimensions



\* Add 1/2" when stainless steel sinks are used.

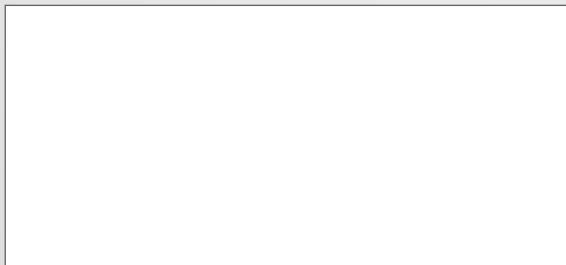
### Sample Specification

Food Waste Disposer(s) shall be InSinkErator Model PRO 750® with MultiGrind® and SoundSeal® technologies, 3/4 HP motor, Auto-Reverse Grind System® feature and Stainless Steel Grind components.

**Warranty:**  
*We Come To You®* 6-Year In-Home Limited Warranty.

\* The complete InSinkErator warranty is included in the Care & Use Booklet packed with each unit.

### Job Specifications



**MADE IN USA**™ Disposers are designed and manufactured in the USA with over 80% domestic content



The mark of responsible forestry  
BV-COC-080715  
© 1996 Forest Stewardship Council A.C.



The Emerson logo is a trademark and service mark of Emerson Electric Co. The mounting collar configuration is a trademark of Emerson Electric Co. Quick Lock® is a registered trademark of Emerson Electric Co.

InSinkErator may make improvements and/or changes in the specifications at any time, in its sole discretion, without notice or obligation and further reserves the right to change or discontinue models.

1-800-558-5700  
www.insinkerator.com