



Trip Lever Bath Drains

Features:

- Fits most tubs 14" to 16" high
- 1-1/2" plastic tubing in PVC
- Patented adjustable self-retaining rubber head gasket
- Patented pre-adjustable linkage
- Cast brass shoe plug
- Extra long plunger stroke
- Lubricated cast brass plunger
- Chrome plated stamped brass domed strainer
- Heavy duty, highly polished face plate
- Partially assembled in carton
- Compartmentalized packaging
- Available in Chrome

Standards & Certifications:

- IAPMO/cUPC

Catalog Numbers:

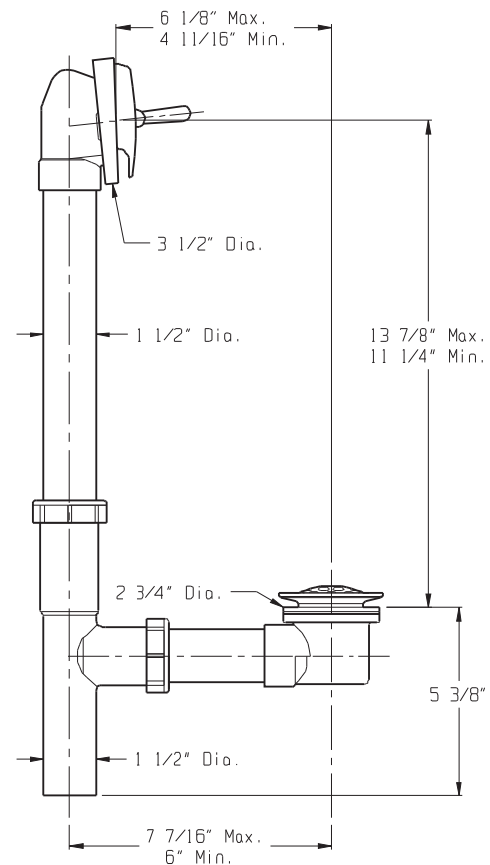
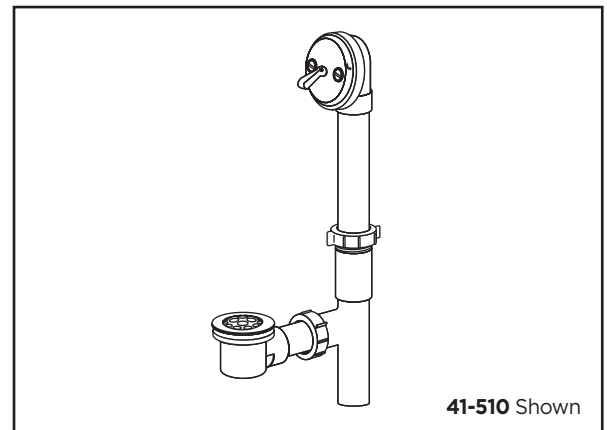
41-510 PVC (Chrome)

Prefixes Available:

None

Suffixes Available:

None



Job Name	
Date	
Model Specified	
Quantity	
Customer	
Contractor	
Architect/engineer	