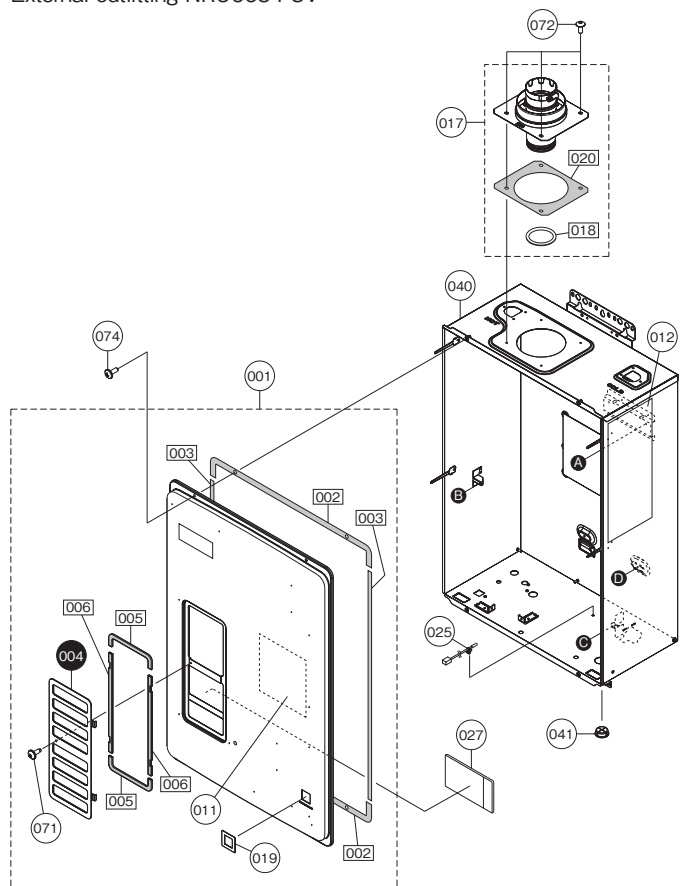


PARTS LIST

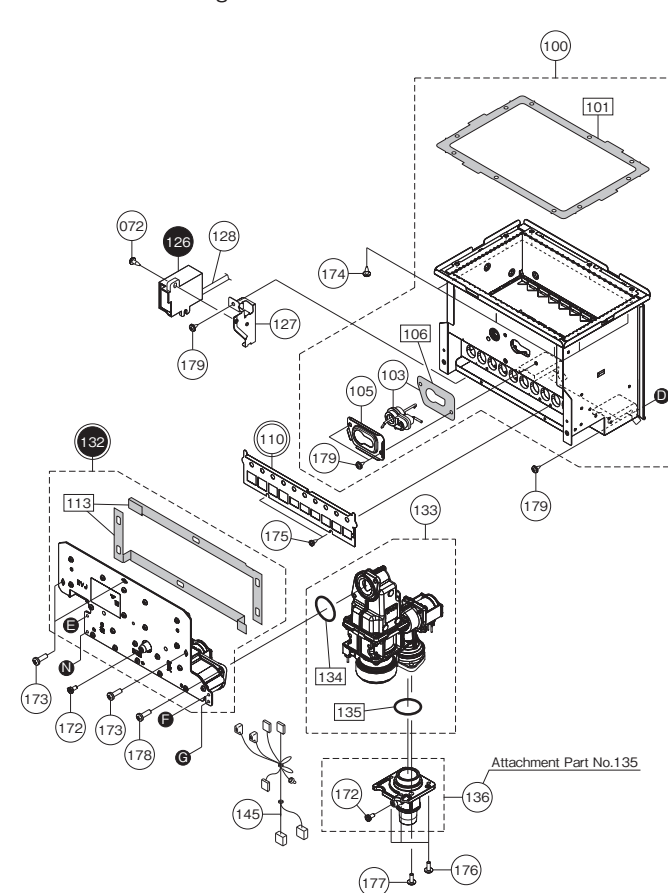
External outfitting NRC663-FSV



External outfitting NRC663-FSV

Part Nos.	Part Names	Order Nos.	Q'ty/unit
001	Front Cover - NRC663-FSV (SET)	SKJ70WR1	1
002	Gasket - Front Cover Top and Bottom	AAPL015	2
003	Gasket - Front Cover Sides	CVAL004	2
004	Filter - Intake Air	DTGA015	1
005	Gasket - Intake Air Filter Sides	DTGL012	2
006	Gasket - Intake Air Filter Top and Bottom	DTGL013	2
011	Wiring Diagram	EXSK001	1
012	Label - Outside Case Caution Label	EVRK004	1
017	Exhaust Flue w/ O-Ring and Gasket (SET)	EXSF021	1
018	O-Ring - Exhaust Flue ϕ 49.6	EXSF026	2
019	Slight Glass Window	EVRK002	1
020	Gasket - Exhaust Flue	SKF7149	1
025	Thermistor - Air	BWCH003	1
027	Parts List/Technical sheet	EXSK051	1
040	Case - NRC663-FSV	EXSA001	1
041	Wire Grommet - Rubber	CXPA026	1
071	Screw - Air Filter Screen		
072	Screw - Long Tapping M4X12 S410		
074	Screw - Front Cover with washer M4X12 S410		

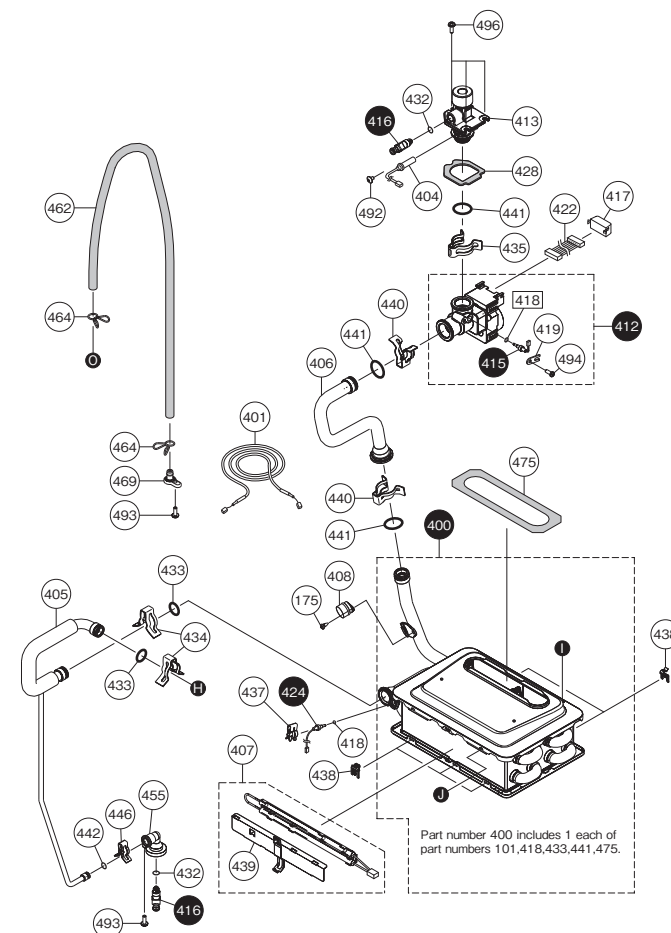
Combustion unit and gas route NRC663-FSV



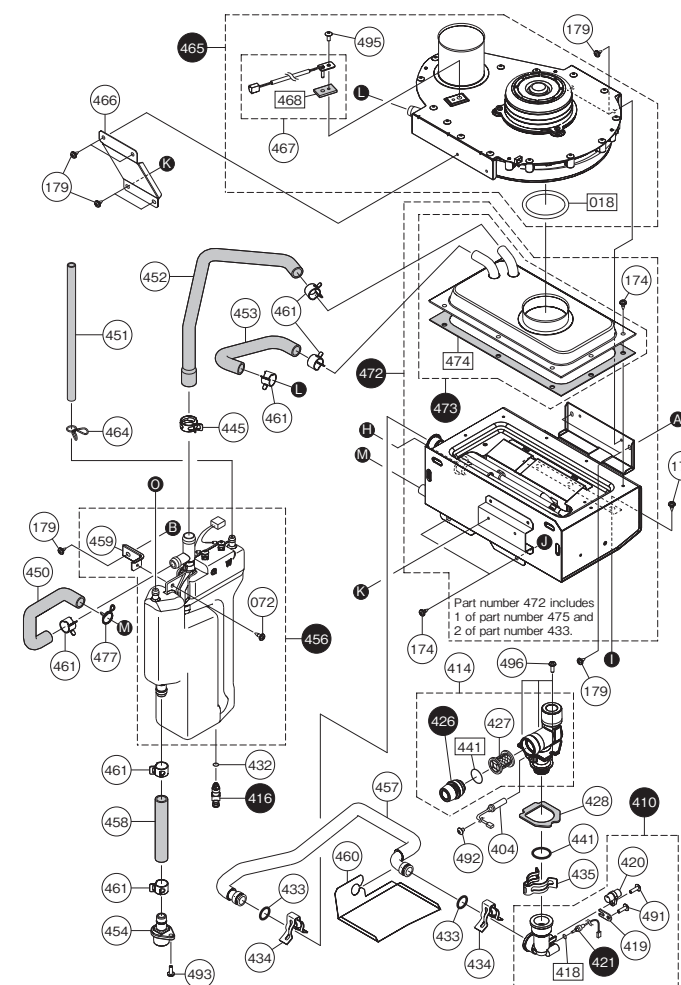
Combustion unit and gas route NRC663-FSV

Part Nos.	Part Names	Order Nos.	Q'ty/unit
100	Burner w/ Gasket and Ignition Plug (SET)	SKJ70WR1	1
101	Gasket - Burner	EVJL002	1
103	Ignition Plug w/ Gasket	SKH7391	1
105	Mounting Plate - Ignition Plug	EULC022	1
106	Gasket - Ignition Plug	EULL003	1
110	Burner Damper 10-10	EVJC090	1<LF>
	Burner Damper 10-9	EVJC089	1<NG>
113	Gasket - Manifold Plate	EVJL012	2
126	Igniter	ERD1112	1
127	Mounting Plate - Igniter	EVHA016	1
128	High Voltage Igniter Wire	ALSD079	1
132	Manifold Plate 08-11 (SET)	SKJ70WK	1
	Manifold Plate 10-15 (SET)	SKJ70WJ	1<NG>
133	Gas Valve	SKJ70BV	1
134	O-Ring - Gas Solenoid	SAAG044	1
135	O-Ring - Gas Valve Bottom	1648306	1
136	Inlet Gas Connection w/ Screw (SET)	SKJ70BW	1
145	Wiring Harness - Gas Valve	EVHJ016	1
172	Screw - Inlet and Manifold Gas M4X8	SAC6082	2
173	Screw - Large Manifold Plate M5X16 S410		
174	Screw - Medium Tapping M4X10 S410		
175	Screw - Small Tapping w/o collar M4X8 S410		
176	Screw - Machine Screw with washer M4X12 S430		
177	Screw - Mounting Machine M5X12 S430		
178	Screw - Machine w/ guide M4X14		
179	Screw - Short Tapping M4X8 S410		

Hot-water feed route 1 NRC663-FSV



Hot-water feed route 2 NRC663-FSV



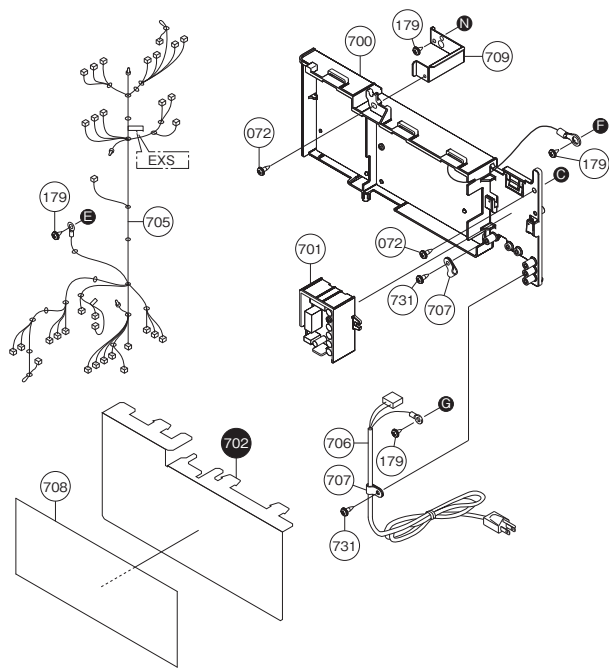
Hot-water feed route1 NRC663-FSV

Part Nos.	Part Names	Order Nos.	Q'ty/unit
400	Heat Exchanger Kit (FSV) (SET)	SKJ70WP	1
401	Thermal Fuse	EVHJ010	1
404	Freeze Prevention Heater - Round Short	ERDH003	2
405	Pipe - Heat Exchanger SS to CU	EXSD013	1
406	Pipe - Hot Water w/ Outlet Connection	EXSD018	1
407	Freeze Prevention Heater - Double Round (SET)	SKJ70BL	1
408	High Limit Switch	ENJH001	1
410	Water Flow Sensor (SET)	EBTD041	1
412	Water Servo -Main (SET)	JEBD051	1
413	Outlet Water Connection	EXSD003	1
414	Inlet Water Connection (SET)	EXSD001	1
415	Thermistor - Hot Water	BWCD096	1
416	Drain Cock	CRUD003	3
417	Wire Cover - Servo	EBTD023	1
418	O-Ring - Thermistor High Temp P4	1323709	3
419	Thermistor Holding Plate	ALSD088	2
420	Magnetic Sensor - Flow Sensor	BWCD090	1
421	Thermistor - Cold Water	BWCD097	1
422	Wiring Harness - Main Water Servo	JBGJ024	1
424	Thermistor -Heat Exchanger	BWCD098	1
426	Water Filter Cap	D1JD006	1
427	Water Filter	EGBD002	1
428	Gasket - Water Connection	EXSL004	2
432	O-Ring - High Temp P3	SAD6633	3
433	O-Ring - High Temp P12.5	3359808	4
434	C' Clamp - Water Pipe 13-22	SAD6537	4
435	C' Clamp - Water Pipe 16A	6340300	2
437	C' Clamp - Thermistor	CRUD055	1
438	Clamp - Thermal Fuse	EVHH004	5
439	Clamp - Freeze Prevention	EVSH001	1
440	C' Clamp - Water Pipe 16-25	SAD6593	2
441	O-Ring - High Temp P16	3223302	5
442	O-Ring - High Temp P6	3264408	1
445	Clamp - Condensate Hose NO.39	SAD6531	1
446	C' Clamp - 1/4" tube 6-13	SAD6594	1
450	Drain Hose - SS HEX	EXSF052	1
451	Hose - Condensate Container	EULF038	1
452	Drain Hose - Exhaust Box	EXSF053	1
453	Drain Hose - Fan Motor	EXSF055	1
454	Drain Connection - Condensate	EPHF001	1
455	Drain Connection - 1/4" tube	CBND018	1
456	Condensate Container (SET)	EXSF041	1
457	Pipe - Flow Sensor to SS Heat Exchanger	EXSD020	1
458	Drain Hose - Condensate	JKNF010	1
459	Mounting Plate - Condensate Container	EQA021	1
460	Cover - Water Flow Sensor	EXSD030	1
461	Clamp - Condensate Hose NO.35	SAD6670	6
462	Hose - Air Port	EXSF056	1
464	Clamp - Container Hose ϕ 8	EMUD005	3
465	Fan Motor w/ Housing	SKJ70WS	1
466	Mounting Plate - Fan Motor	EXSF038	1
467	Thermistor - Exhaust w/ Gasket	SKJ70XD	1
468	Gasket - Exhaust Thermistor	ETHL004	1
469	Air Port	EXSF051	1
472	Heat Exchanger Kit - Secondary SS (FSV) (SET)	SKJ70WQ	1
473	Exhaust Box (SET)	SKJ70XB	1
474	Gasket - Exhaust Box	EVSL001	1
475	Gasket - Secondary Heat Exchanger	EVJL013	1
477	Clamp - Container Hose ϕ 15.5	SAD6678	1

Hot-water feed route2 NRC663-FSV

Part Nos.	Part Names	Order Nos.	Q'ty/unit
491	Screw - Round Head Medium Tapping M4X10 S305		
492	Screw - Short Machined M4X6 S410		
493	Screw - Long Machine M4X12 S410		
494	Screw - Round Head Medium Tapping M4X10 S410		
495	Screw - Machine M4X8 S305		
496	Screw - Long Machine M4X12 S410		

Electronic control unit NRC663-FSV

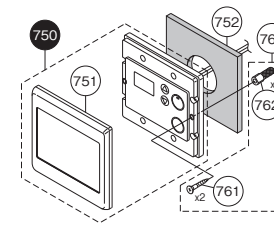


Electronic control unit NRC663-FSV

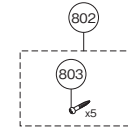
Part No.	Part Names	Order Nos.	Qty/unit
700	Circuit Board	SKJ70W1	1
701	Circuit Board	SKJ701M	1
702	Cover - Circuit Board	EXSA022	1
705	Wiring Harness - NRC663-FSV	SKJ70WU	1
706	Power Supply Cord	EPJL001	1
707	Wire Clamp - Nylon	7287909	2
708	Label - Circuit Board Plastic Cover	EVPK006	1
709	Mounting Plate - Circuit Board	EXSA021	1
731	Screw - Remote Terminal Cover M4X12 S410		

Remote controller, Attached set NRC663-FSV

Optional
Remote controller
RC-7651M-ENG



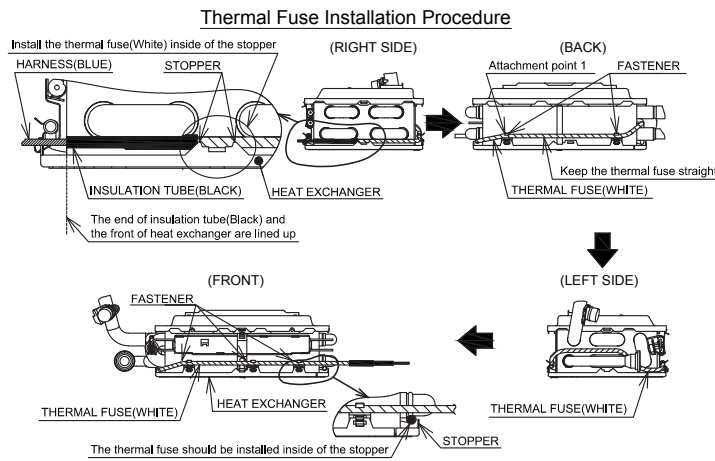
Attached set



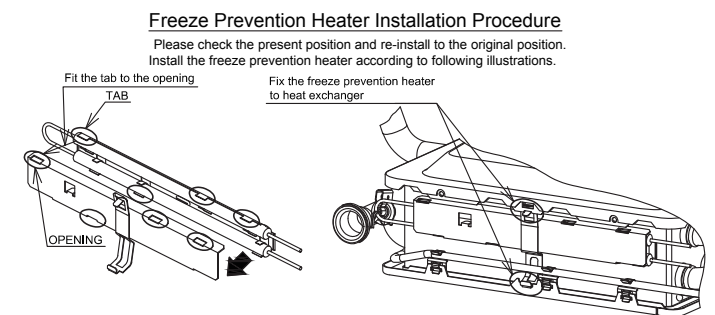
Special part	Special part no.
Owner's guide	888
Installation manual	889

Remote controller, Attached set NRC663-FSV

Part No.	Part Names	Order Nos.	Qty/unit
750	Remote Controller - RC-7651M (SET)	QXLU017	1
751	Cover - Remote	QMEA003	1
752	Mounting Packing - Remote	QHUA115	1
760	Screw Package - Remote(SET)	OQUA100	1
761	Screw - Round Head Wood M4.1X25 S305		
762	Dry Wall Anchors6X25		
800	Box - NRC663-FSV	SKJ70WV	1
802	Label - Gas Type LP	ESCK008	1<LP>
803	Wood Screw set5	SAF6007	1
888	Owner's Guide NRC663-FSV	SBB809K	1
889	Installation Manual NRC663-FSV	SBB809L	1



- Install the thermal fuse following the below procedure.**
- Begin the installation by attaching the thermal fuse to the right side of the heat exchanger.
 - Bend the thermal fuse to the back of the heat exchanger and fixing the thermal fuse by the fastener at attachment point 1 as indicated in the above illustration.
 - Continue wrapping the thermal fuse around the heat exchanger securing it at each attachment point using the fasteners shown in the above illustrations.
- Caution**
The thermal fuse may snap if it is twisted, pinched or bent too sharply. Do not bend the thermal fuse to a radius of less than 1.25".



Procedure for Flushing the Heat Exchanger

This procedure is only intended for use by a qualified service professional or authorized Noritz Service Representative. Any unauthorized use of this procedure may result in voiding the warranty. Please contact Noritz America (866-766-7489) for additional support.

If the error code "C*#~C*#" is flashing on the Display Window, it means there is Scale Build-up in the Heat Exchanger. The Heat Exchanger needs to be flushed** to remove the Scale Build-up. Damage to the water heater due to Scale Build-up is not covered by the water heater's warranty. To clear the error code "C*#~C*#", the Heat Exchanger must be flushed.

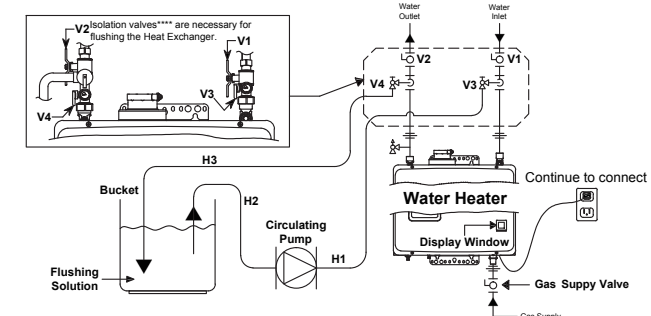
If the error code "C*#" is displayed and flashing in the Display Window, please contact Noritz America (866-766-7489).

* * = 1, 2, 3, 4, F
= 1, 2, 3, 4, 5, 6, 7, 8, 9, A, b, C, d, E, F
** Connect the "blue connector" for flushing on the Circuit Board when flushing the Heat Exchanger. After connecting it, the water heater is set to "Flushing Mode".

The water heater must remain connected to electrical power when flushing the Heat Exchanger.

1. The preparation of the flushing system

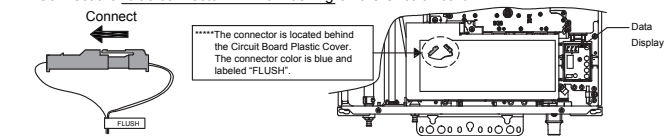
- Close the gas supply valve.
- Close the water inlet valve (V1) and the water outlet valve (V2).
- Connect the one drain hose (H1) to the drain valve (V3), and then the other to the circulating pump.
- Connect the drain hose (H2) to the circulating pump.
- Connect the drain hose (H3) to the drain valve (V4).
- Pour 4 gallons or more of flushing solution*** into the bucket.
- Place the both drain hoses (H2 and H3) into the bucket filled with the flushing solution.



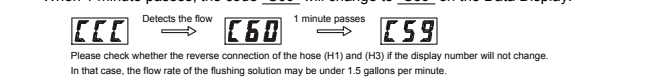
*** Isolation valves may be purchased as an accessory from an authorized Noritz wholesaler. They allow for full diagnostic testing and easy flushing of the system. Contact Noritz America for more information (866-766-7489).

2. Flushing the Heat Exchanger

- Open the Front Cover.
- Connect the "blue connector" for flushing on the Circuit Board.



- Then the code "CCC" is displayed on the Data Display.
- Turn on the circulating pump to circulate the flushing solution through the water heater for 1 hour at a rate of 1.5 gallons per minute or more.
- The code "C60" is displayed on the Data Display when the water heater detects the flow of the flushing solution. When 1 minute passes, the code "C60" will change to "C59" on the Data Display.



Please check whether the reverse connection of the hose (H1) and (H3) if the display number will not change. In that case, the flow rate of the flushing solution may be under 1.5 gallons per minute.

- When 1 hour passes, the code "C00" is flashing on the Data Display. Do not disconnect the "blue connector for flushing" on the Circuit Board.
- Turn off the circulating pump.

3. Cleaning the Heat Exchanger
- The flushing solution needs to be rinsed and cleaned out of the water heater. Below is the way to rinse and clean the flushing solution.
- Remove both drain hoses (H2 and H3) from the bucket. And then place the drain hose (H3) into the sink or outside to drain.
 - Close the drain valve (V3) and then open the water inlet valve (V1). Do not open the fresh water outlet valve (V2).
 - Clean the water heater with fresh water for 3 minutes or more. (Needs to have enough time to clean the water heater.)
 - Close the drain valve (V4) and then remove the drain hose (H3) from the drain valve (V4).
 - Remove the drain hose (H1) from the drain valve (V3).
 - Disconnect the "blue connector for flushing" on the Circuit Board. The code "C00" goes out on the Data Display.
 - Close the Front Cover.
 - Open the gas supply valve and water outlet valve (V2).
 - Check for correct operation of the water heater.

Please contact Noritz America if more information is needed for flushing. (Phone #: 866-766-7489)