



# RBHP

Parts List  
19-January-2017



*This parts list is current as of the above revision date.  
See <http://www.rheempartslists.net/92-42800-RBHP.pdf> for the current revision.*

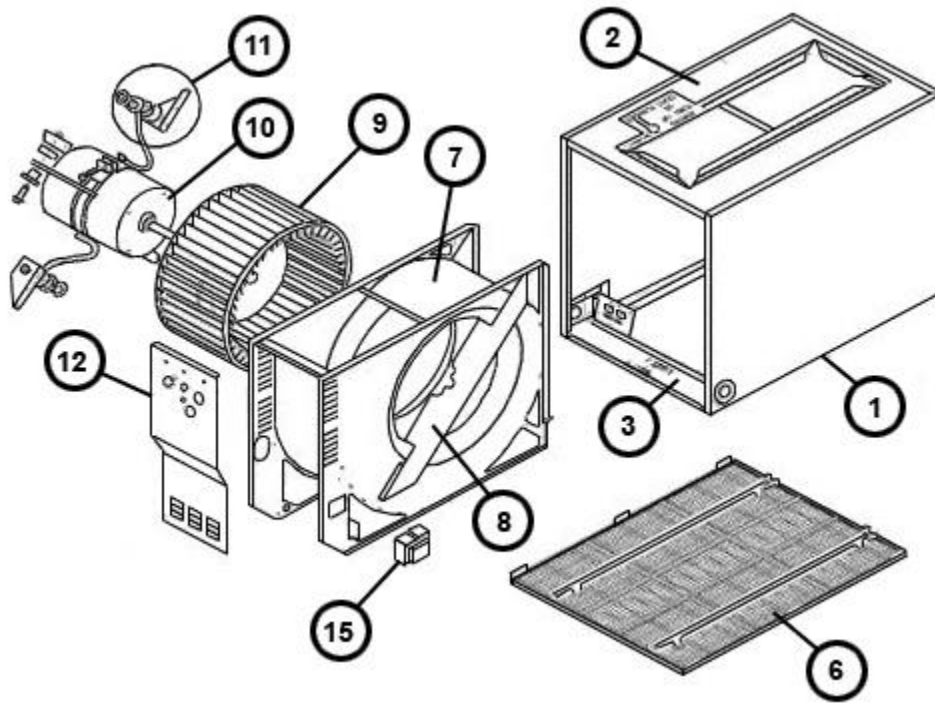
**Air Handlers**

No.	Notes	MODEL	RBHP	RBHP	RBHP	RBHP	RBHP
		CABINET WIDTH	17	17	17	17	21
		VOLTAGE	A	J	J	J	A
		HEAT DESIGNATION	00	06	07	11	00
		CONTROL DESIGNATION	N	S	S	S	N
<b>ELECTRICAL GROUP</b>							
13		Sheath Heater w/Bracket	See Electric Heat Group				
14		Sequencing / Heat Relay	See Electric Heat Group				
15	Stk	Transformer	46-23115-01	46-23115-02	46-23115-02	46-23115-02	46-23115-01
16		Limit Switch	See Electric Heat Group				
17		Circuit Breaker	N/A	42-23201-01	42-23201-01	42-23201-01	N/A
		Finger Stop Voltage	N/A	45-23203-01	45-23203-01	45-23203-01	N/A
		Jumper Bar - 4 Pole	N/A	N/A	N/A	N/A	N/A
18		Watt Restrictors	N/A	N/A	47-23117-01	47-23117-01	N/A
19	Stk	Defrost Heater Control	N/A	N/A	47-23118-01	47-23118-01	N/A
		Terminal Block	45-23222-02	N/A	N/A	N/A	45-23222-02

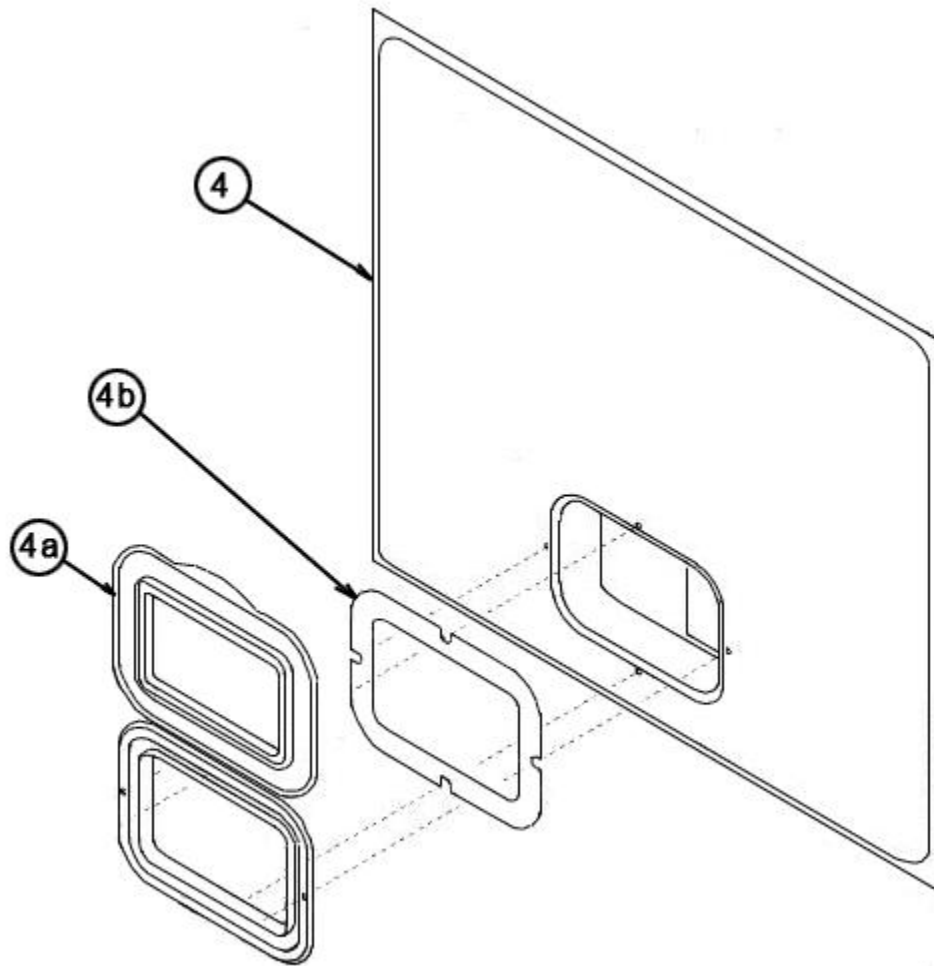
No.	Notes	MODEL	RBHP	RBHP	RBHP	RBHP	RBHP
		CABINET WIDTH	21	21	21	21	24
		VOLTAGE	J	J	J	J	A
		HEAT DESIGNATION	06	07	11	14	00
		CONTROL DESIGNATION	S	S	S	S	N
<b>ELECTRICAL GROUP</b>							
13		Sheath Heater w/Bracket	See Electric Heat Group				
14		Sequencing / Heat Relay	See Electric Heat Group				
15	Stk	Transformer	46-23115-02	46-23115-02	46-23115-02	46-23115-02	46-23115-01
		Power Factor Choke	N/A	N/A	N/A	N/A	46-24256-04
16		Limit Switch	See Electric Heat Group				
17		Circuit Breaker	42-23201-01	42-23201-01	42-23201-01	42-23201-01 (2)	N/A
		Finger Stop Voltage	45-23203-01 (2)	45-23203-01 (2)	45-23203-01 (2)	N/A	N/A
		Jumper Bar - 4 Pole	N/A	N/A	N/A	45-23202-01	N/A
18		Watt Restrictors	N/A	N/A	N/A	47-23117-01	N/A
19	Stk	Defrost Heater Control	N/A	N/A	N/A	47-23118-01	N/A
		Terminal Block	N/A	N/A	N/A	N/A	45-23222-02

No.	Notes	MODEL	RBHP	RBHP	RBHP	RBHP	RBHP
		CABINET WIDTH	24	24	24	24	24
		VOLTAGE	J	J	J	J	J
		HEAT DESIGNATION	06	07	11	14	18
		CONTROL DESIGNATION	S	S	S	S	S
<b>ELECTRICAL GROUP</b>							
13		Sheath Heater w/Bracket	See Electric Heat Group				
14		Sequencing / Heat Relay	See Electric Heat Group				
15	Stk	Transformer	46-23115-02	46-23115-02	46-23115-02	46-23115-02	46-23115-02
16		Limit Switch	See Electric Heat Group				
17		Circuit Breaker	42-23201-01	42-23201-01	42-23201-01	42-23201-01 (2)	42-23201-01 (2)
		Finger Stop Voltage	45-23203-01 (2)	45-23203-01 (2)	45-23203-01 (2)	45-23203-01	45-23203-01
		Jumper Bar - 4 Pole	N/A	N/A	N/A	N/A	N/A
18		Watt Restrictors	N/A	N/A	N/A	47-23117-02	47-23117-02
19	Stk	Defrost Heater Control	N/A	N/A	N/A	47-23118-01	47-23118-01
		Terminal Block	N/A	N/A	N/A	N/A	N/A

No.	Notes	MODEL	RBHP	RBHP	RBHP	RBHP	RBHP
		CABINET WIDTH	25	25	25	25	25
		VOLTAGE	A	J	J	J	J
		HEAT DESIGNATION	00	11	14	18	21
		CONTROL DESIGNATION	N	S	S	S	S
<b>ELECTRICAL GROUP</b>							
13		Sheath Heater w/Bracket	See Electric Heat Group				
14		Sequencing / Heat Relay	See Electric Heat Group				
15	Stk	Transformer	46-23115-01	46-23115-02	46-23115-02	46-23115-02	46-23115-02
		Power Factor Choke	46-24256-04	N/A	N/A	N/A	N/A
16		Limit Switch	See Electric Heat Group				
17		Circuit Breaker	N/A	42-23201-01	42-23201-01 (2)	42-23201-01 (2)	42-23201-01 (2)
		Circuit Breaker Cover (2-2 Pole)	N/A	N/A	45-23202-10	45-23202-10	45-23202-10
		Finger Stop Voltage	N/A	45-23203-01 (2)	45-23203-01	45-23203-01	N/A
		Jumper Bar - 4 Pole	N/A	N/A	N/A	45-23202-01	45-23202-01
18		Watt Restrictors	N/A	N/A	47-23117-02	47-23117-02	47-23117-02
19	Stk	Defrost Heater Control	N/A	N/A	47-23118-01	47-23118-01	47-23118-01
		Terminal Block	45-23222-02	N/A	N/A	N/A	N/A



Exploded View



Door Assembly