

DBF Series

Dryer Exhaust Fans

Application

The Fantech dryer exhaust fans have been specially designed to solve the problems caused by long duct runs on clothes dryers. According to dryer manufacturers and some local building codes, exhaust fans should be added in the dryer duct run when the length of the duct exceeds 35 feet with no bends, 30 feet with one bend or 25 feet with two bends.

How it works

When the dryer is on, Fantech's patented pressure sensing switch automatically turns the exhaust fan on. The warm, moist air in the dryer duct is exhausted out of the building quickly. The dryer exhaust fan monitors the status of the dryer and will turn itself off when the dryer stops. A wall-mounted indicator panel (specific models) with LED display lets homeowners know that the fan is fully operational.

- Powerful, efficient 150 CFM fan
- Leak-free galvanized housing
- Used with duct runs up to 108 ft (DBF 110) and 130 ft (DBF 4XLT and DBF 4XL) in length

Certification



DBF 4XL

features an airtight, galvanized steel housing and an integrated pressure switch to activate the fan when the dryer is on. Can be used to power vent dryer exhaust in duct runs up to 130 feet in length. Includes a mounting bracket and a 5 1/2-foot power cord.



DBF 4XLT features an airtight, galvanized steel housing and an integrated pressure switch to activate the fan when the dryer is on, a quick connect/disconnect fast clamp and a wall-mount indicator panel.

Note: When using model DBF4XLT for altitudes above 7,000 feet, the accessory High Alt Retrofit Switch, Hi-Alt RS (#413569) is recommended.

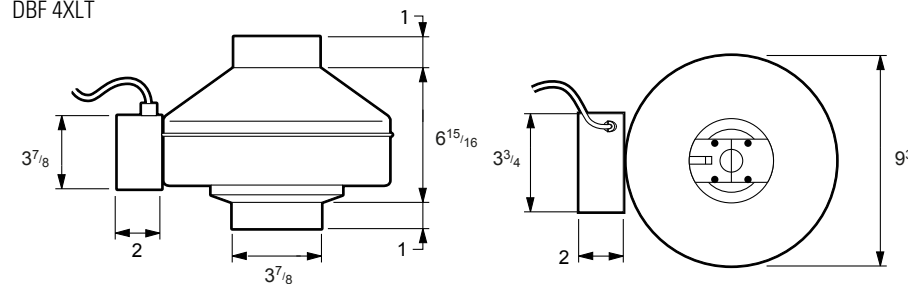
DBF 110

features a fully sealed plastic housing that is joined via a vibration welding process. The fan is equipped with an integral, automatic pressure switch. It can be used on dryer duct runs up to 108 feet. The fan's backward inclined blades allow lint to pass through the fan. Can be mounted in any angle at any point along the duct work and straight-through air flow design allows easy installation.

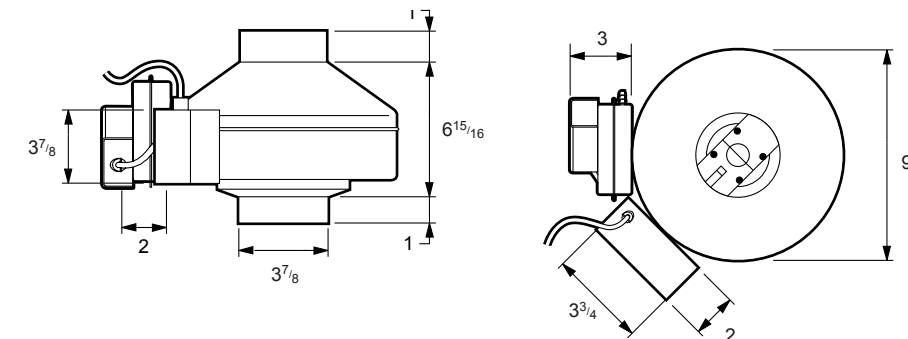


Dimensions

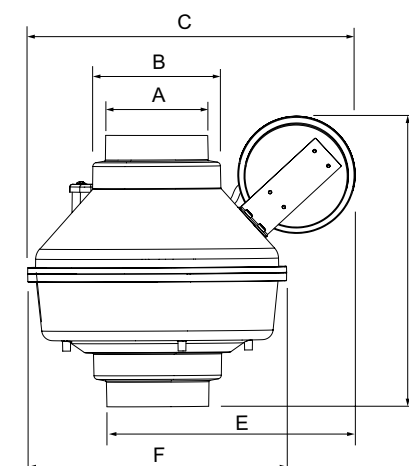
DBF 4XLT



DBF 4XL



DBF 110



	A	B	C	D	E	F
DBF 110	3 31/32	4 31/32	12 3/4	11 1/4	9 3/4	10

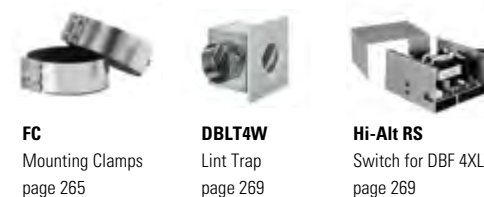
Dimensional information is in inches.

Specification data

Model	Duct size	Rated power	Voltage / phase	Max. amps	0.0" P _s	0.2" P _s	0.4" P _s	0.6" P _s	0.8" P _s	1.0" P _s	Shipping weight	Shipping class	Item #	MSRP
	inch	W	V / ~	A	cfm						lbs			USD
DBF 110	4	65	120 / 1	0.54	188	150	133	113	88	63	9	1	411347	264.-
DBF 4XL	4	65	120 / 1	0.54	170	150	134	119	103	86	10	1	40095	264.-
DBF 4XLT	4	72	120 / 1	0.73	173	150	134	119	103	86	10	1	40275	336.-

Per HVI's Certified rating program, charted air flow performance has been derated by a factor based on actual test results and the certified rate at 0.2 inches WG.

Accessories



FC
Mounting Clamps
page 265

DBLT4W
Lint Trap
page 269

Hi-Alt RS
Switch for DBF 4XLT
page 269