

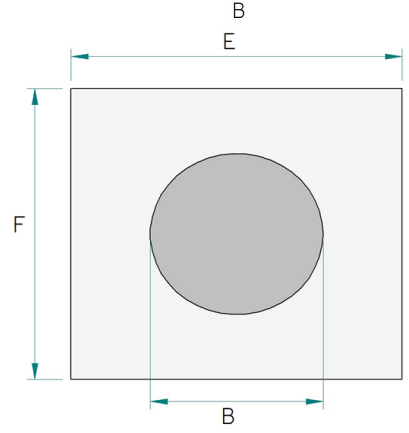
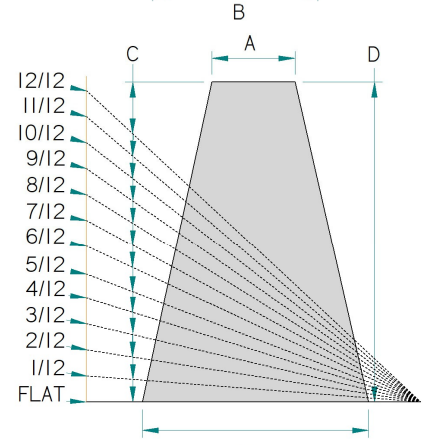
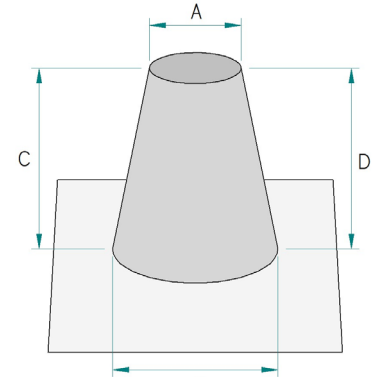


**Joval**  
**MFG. CO., INC.**  
 Ph. 504-835-7247  
 Fax 504-835-6586  
 www.joval.com

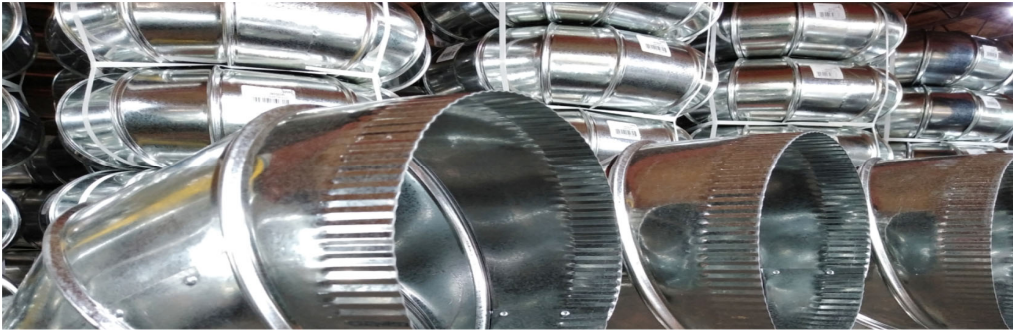
## ROOF FLANGE

### F0300 -F0400 SERIES

PART #	Pitch (deg)	GA.	A	B	C	D	E	F
F0300	FLAT	26	2.75	7	10.5	10.5	10.5	10.5
F0301	4.76	26	2.75	7	10	10.5	10.5	10.5
F0302	9.46	26	2.75	7	10	10.5	10.5	10.5
F0303	14.04	26	2.75	7	9.5	11	14	14
F0304	18.43	26	2.75	7	9.5	11	14	14
F0305	22.26	26	2.75	7	10	12.75	14	14
F0306	26.57	26	2.75	7	10	12.75	14	14
F0307	30.26	26	2.75	6.5	8	11	14	14
F0308	33.69	26	2.75	6.5	8	11	14	14
F0309	36.87	26	2.75	6.5	9.25	14.5	16	16
F0310	39.81	26	2.75	7	9.25	14.75	16	16
F0311	42.51	26	2.75	7	9.25	14.75	16	16
F0312	45	26	2.75	7	9	15.5	16	16
F0400	FLAT	26	3.75	7	9.75	9.75	14	14
F0401	4.76	26	3.75	7	9.5	9.75	14	14
F0402	9.46	26	3.75	7	9.5	9.75	14	14
F0403	14.04	26	3.75	7	9.5	11.5	14	14
F0404	18.43	26	3.75	7	9.5	11.5	14	14
F0405	22.26	26	3.75	7	9.25	12.25	14	14
F0406	26.57	26	3.75	7	9.25	12.25	14	14
F0407	30.26	26	3.75	7	7.5	11	16	15
F0408	33.69	26	3.75	7	7.5	11	16	15
F0409	36.87	26	3.75	7	7.5	12.5	16	16
F0410	39.81	26	3.75	7	7.5	12.5	16	16
F0411	42.51	26	3.75	7.5	9	14.5	19.5	18
F0412	45	26	3.75	7.5	9	14.5	19.5	18



NOTES

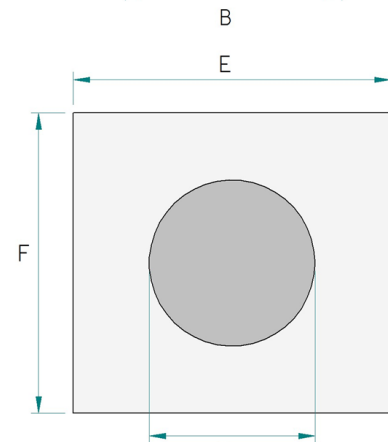
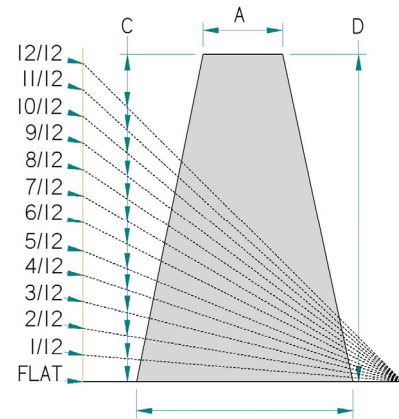
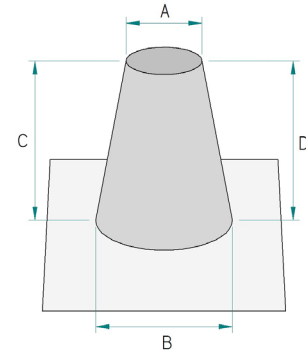


**Joval**  
**MFG. CO., INC.**  
 Ph. 504-835-7247  
 Fax 504-835-6586  
 www.joval.com

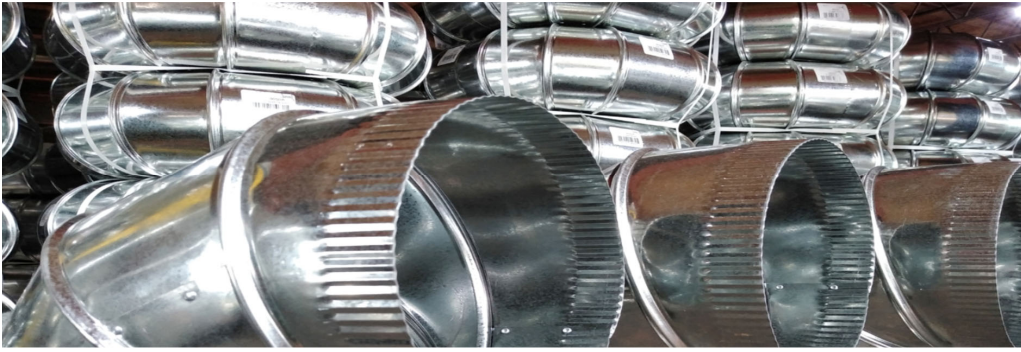
## ROOF FLANGE

### F0500 -F0600 SERIES

PART #	Pitch (deg)	GA.	A	B	C	D	E	F
F0500	FLAT	26	4.75	9.5	10	10	19	18
F0501	4.76	26	4.75	9.5	9.5	10	19	18
F0502	9.46	26	4.75	9.5	9.5	10	19	18
F0503	14.04	26	4.75	9.5	10	12.5	19	18
F0504	18.43	26	4.75	9.5	10	12.5	19	18
F0505	22.26	26	4.75	9.5	10.25	13.5	19	18
F0506	26.57	26	4.75	9.5	10.25	13.5	19	18
F0507	30.26	26	4.75	8.75	10.25	15.25	19	18
F0508	33.69	26	4.75	8.75	10.25	15.25	19	18
F0509	36.87	26	4.75	8.75	9.25	15	16	16
F0510	39.81	26	4.75	8.75	9.25	15	16	16
F0511	42.51	26	4.75	8.75	8.5	16.5	20	18
F0512	45	26	4.75	8.75	8.5	16.5	20	18
F0600	FLAT	26	5.75	9.5	9.75	9.75	19	18
F0601	4.76	26	5.75	9.5	10.25	9.75	19	18
F0602	9.46	26	5.75	9.5	10.25	9.75	19	18
F0603	14.04	26	5.75	9.5	9.5	11.5	19	18
F0604	18.43	26	5.75	9.5	9.5	11.5	19	18
F0605	22.26	26	5.75	9.5	10	13	19	18
F0606	26.57	26	5.75	9.5	10	13	19	18
F0607	30.26	26	5.75	9.75	9	14.25	19	18
F0608	33.69	26	5.75	9.75	9	14.25	19	18
F0609	36.87	26	5.75	11.5	8.5	15	16	16
F0610	39.81	26	5.75	11.5	8.5	15	16	16
F0611	42.51	26	5.75	11.5	9.5	18.5	20	18
F0612	45	26	5.75	11.5	9.5	18.5	20	18



NOTES

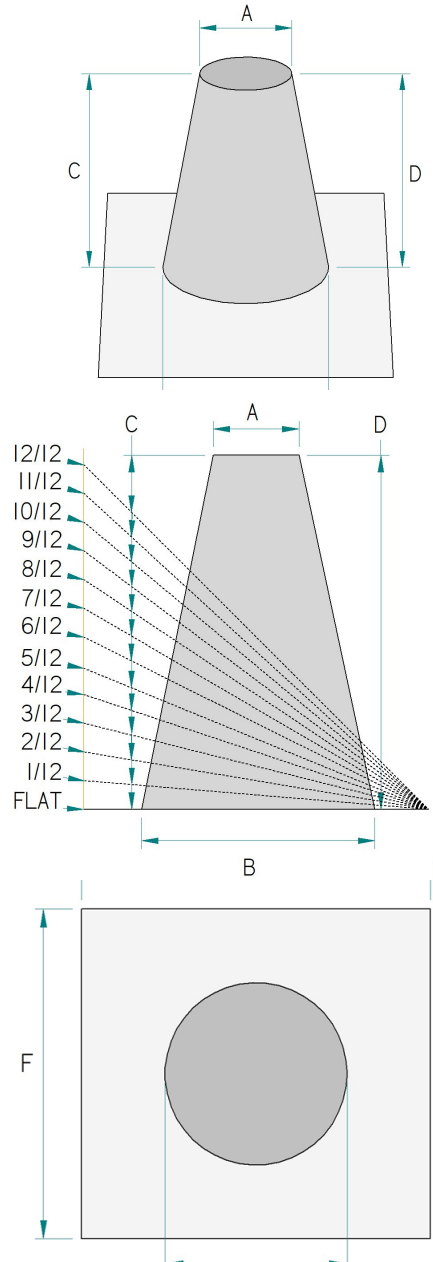


**Joval**  
**MFG. CO., INC.**  
 Ph. 504-835-7247  
 Fax 504-835-6586  
 www.joval.com

## ROOF FLANGE

### F0700 -F0800 SERIES

PART #	Pitch (deg)	GA.	A	B	C	D	E	F
F0700	FLAT	26	6.75	10	9.5	9.5	18	18
F0701	4.76	26	6.75	10	10	9.5	18	18
F0702	9.46	26	6.75	10	10	9.5	18	18
F0703	14.04	26	6.75	10	9.25	12	18	18
F0704	18.43	26	6.75	10	9.25	12	18	18
F0705	22.26	26	6.75	10	9.25	13.5	18	18
F0706	26.57	26	6.75	10	9.25	13.5	18	18
F0707	30.26	26	6.75	10.25	9	14.25	18	18
F0708	33.69	26	6.75	10.25	9	14.25	18	18
F0709	36.87	26	6.75	10.25	8.5	15	18	18
F0710	39.81	26	6.75	10.25	8.5	15	18	18
F0711	42.51	26	6.75	11	9	16	18	18
F0712	45	26	6.75	11	9	16.5	18	18
F0800	FLAT	26	7.75	11	9.5	9.5	20	20
F0801	4.76	26	7.75	11	10	9.5	20	20
F0802	9.46	26	7.75	11	10	9.5	20	20
F0803	14.04	26	7.75	11.5	9.5	12	20	20
F0804	18.43	26	7.75	11.5	9.5	12	20	20
F0805	22.26	26	7.75	11	9	14	20	30
F0806	26.57	26	7.75	11	9	14	20	30
F0807	30.26	26	7.75	11.25	9	15.25	20	20
F0808	33.69	26	7.75	11.25	9	15.25	20	20
F0809	36.87	26	7.75	11.5	9.75	16.5	20	20
F0810	39.81	26	7.75	11.5	9.75	16.5	20	20
F0811	42.51	26	7.75	15.5	10	20.75	20	20
F0812	45	26	7.75	15.5	10	20.75	20	20



NOTES

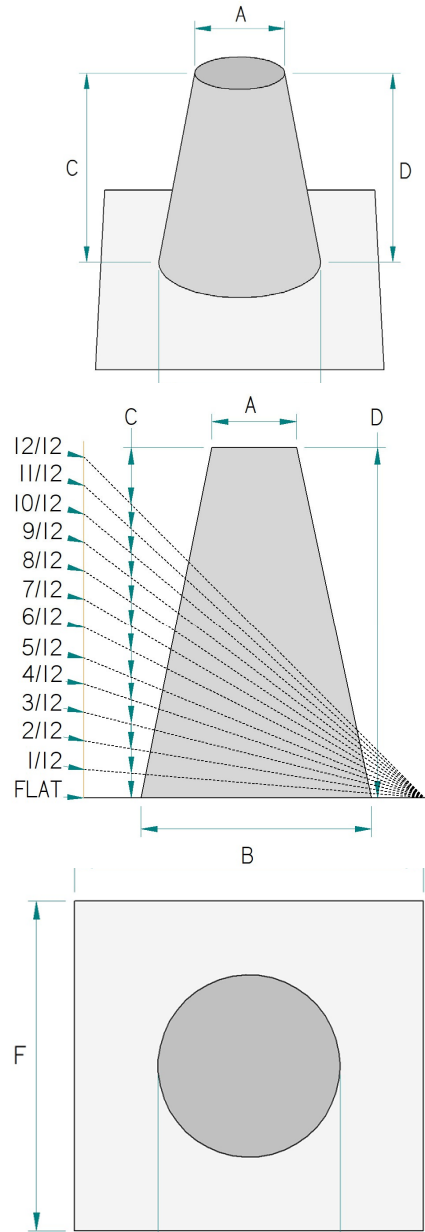


**Joval**  
**MFG. CO., INC.**  
 Ph. 504-835-7247  
 Fax 504-835-6586  
 www.joval.com

## ROOF FLANGE

### F1000 -F1200 SERIES

PART #	Pitch (deg)	GA.	A	B	C	D	E	F
F1000	FLAT	26	9.75	15	11.5	15	22	22
F1001	4.76	26	9.75	15	11	15	22	22
F1002	9.46	26	9.75	15	11	15	22	22
F1003	14.04	26	9.75	15	11.25	15	22	22
F1004	18.43	26	9.75	15	11.25	15.75	22	22
F1005	22.26	26	9.75	15	10.25	15.75	22	22
F1006	26.57	26	9.75	15	11	17	22	22
F1007	30.26	26	9.75	15	8.5	17	22	22
F1008	33.69	26	9.75	15	8.5	17	22	22
F1009	36.87	26	9.75	17	8.5	18.5	22	22
F1010	39.81	26	9.75	17	8.75	18.75	22	22
F1011	42.51	26	9.75	17	10.75	21.75	22	22
F1012	45	26	9.75	17	10.75	21.75	22	22
F1200	FLAT	26	11.75	14.5	11	11	24	24
F1201	4.76	26	11.75	14.5	11	11	24	24
F1202	9.46	26	11.75	14.5	11	11	24	24
F1203	14.04	26	11.75	15	9.5	12.75	24	24
F1204	18.43	26	11.75	15	9.5	12.75	24	24
F1205	22.26	26	11.75	15	9	13.5	24	24
F1206	26.57	26	11.75	15	9	14	24	24
F1207	30.26	26	11.75	17	9.25	18.25	24	24
F1208	33.69	26	11.75	17	10	19.5	24	24
F1209	36.87	26	11.75	20	11	24.5	24	24
F1210	39.81	26	11.75	20	11	24.5	24	24
F1211	42.51	26	11.75	20	9.5	26	24	24
F1212	45	26	11.75	20	9.5	26	24	24



NOTES

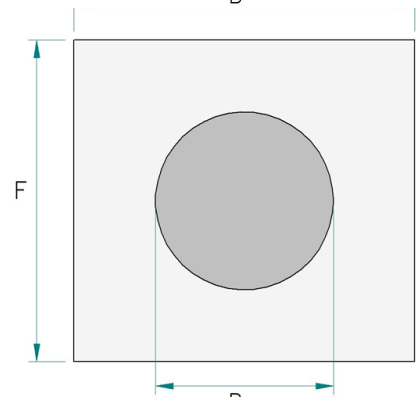
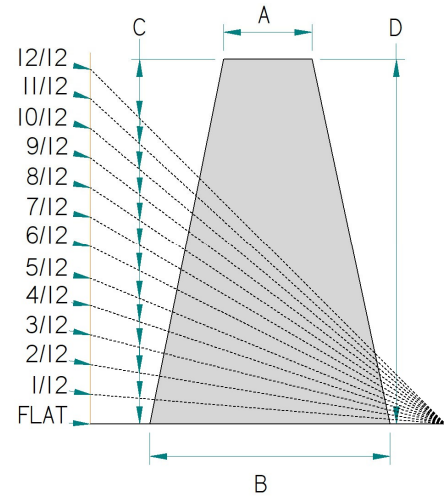
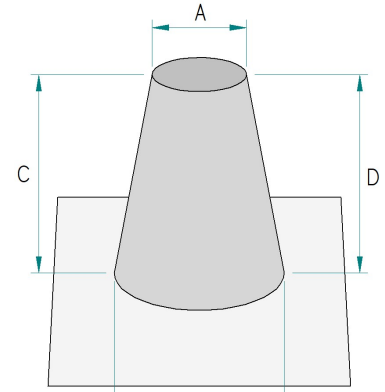


**Joval**  
**MFG. CO., INC.**  
 Ph. 504-835-7247  
 Fax 504-835-6586  
 www.joval.com

## ROOF FLANGE

### F 1400 SERIES

PART #	Pitch (deg)	GA.	A	B	C	D	E	F
F1400	FLAT	26	13.5	17.5	10.5	10.5	26	26
F1401	4.76	26	13.5	17.5	10	10.5	26	26
F1402	9.46	26	13.5	17.5	10	10.5	26	26
F1403	14.04	26	13.5	17.5	9.5	10.5	26	26
F1404	18.43	26	13.5	17.5	9.5	10.5	26	26
F1405	22.26	26	13.5	17.5	9	10.5	26	26
F1406	26.57	26	13.5	17.5	9	10.5	26	26
F1407	30.26	26	13.5	17.5	8.5	10.5	26	26
F1408	33.69	26	13.5	17.5	8.5	10.5	26	26
F1409	36.87	26	13.5	17.5	8	10.5	26	26
F1410	39.81	26	13.5	17.5	8	10.5	26	26
F1411	42.51	26	13.5	17.5	7.5	10.5	26	26
F1412	45	26	13.5	17.5	7.5	10.5	26	26



NOTES