

Accessories Heater Kits



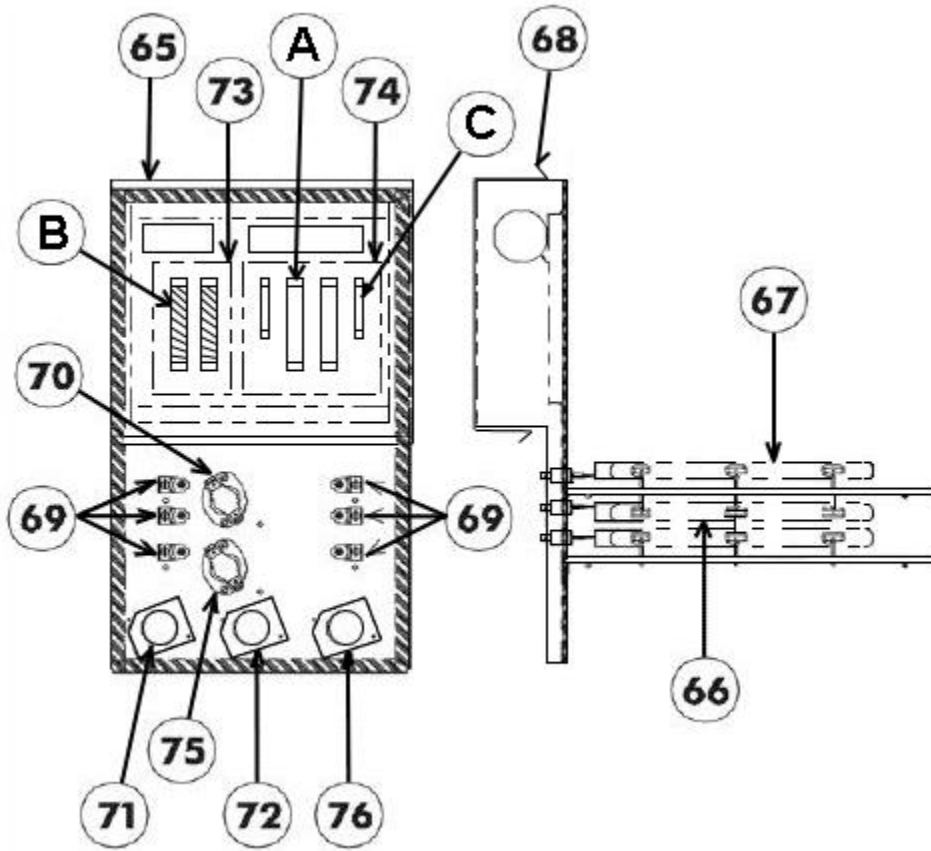
RXQJ-B15J

Parts List
02-February-2018

*This parts list is current as of the above revision date.
See <http://www.rheempartslists.net/92-42800-RXQJ-B15J.pdf> for the current revision.*

| No. | Notes | Part Description | Part No. |
|-----|-------|--|-------------|
| | | FOR UNITS WITH SERIAL NUMBER BEGINNING WITH PB OR PC, Before Date Code 1015: | |
| 65 | | Base Plate | N/A |
| 66 | | Heater Assembly | 44-25261-05 |
| 67 | | Heater Assembly | 44-25261-08 |
| 68 | | Cover | AE-25261-09 |
| 69 | | Terminal Block - Ceramic (6) | 455133 |
| 70 | | Thermostat | 47-25261-15 |
| 71 | | Time Delay Relay | 42-25261-17 |
| 72 | | Time Delay Relay | 42-25261-17 |
| 73 | | Fuse Block | 45-25261-38 |
| 74 | | Fuse Block | 45-25261-21 |
| 75 | | Thermostat | 47-25261-16 |
| 76 | | Time Delay Relay | 42-25261-19 |
| A | | Fuse (2) | 442045 |
| B | | Time Delay Fuse (2) | 442042 |
| C | | Fuse (2) | PD447382 |
| | | FOR UNITS WITH SERIAL NUMBER BEGINNING WITH PB OR PC, On or After Date Code 1015: | |
| 65 | | Base Plate | NLA |
| 66 | | Heater Assembly | 44-25261-05 |
| 67 | | Heater Assembly | 44-25266-14 |
| 68 | | Cover | AE-25261-09 |
| 69 | | Terminal Block - Ceramic (6) | 455133 |
| 70 | | Thermostat | 47-25261-15 |
| 71 | | Time Delay Relay | PD425120 |
| 72 | | Time Delay Relay | PD425120 |
| 73 | | Fuse Block | 45-25261-22 |
| 74 | | Fuse Block | 45-25261-21 |
| 75 | | Thermostat | 47-25261-16 |
| 76 | | Time Delay Relay | PD425125 |
| A | | Fuse (2) | 442045 |
| B | | Time Delay Fuse (2) | 442042 |
| C | | Fuse (2) | PD447382 |
| | | FOR UNITS WITH SERIAL NUMBER BEGINNING WITH PN: | |
| | | Relay/Sequencer (2-Pole) (2) | PD425078 |
| | | Relay/Sequencer (2-Pole) | 425079 |
| | | Limit Control (3) | PD470040 |
| | | Circuit Breaker (30A) - 2 Pole | 425094 |

| No. | Notes | Part Description | Part No. |
|-----|-------|------------------------------------|---------------|
| | | Circuit Breaker (60A) - 2 Pole (2) | 425097 |
| | | Jumper Bar - 6 Pole | PD455228 |
| | | Heater Frame Coil Assembly | Not Available |
| | | Wiring Harness - 5 Wires | PD455226 |



Drawing of RXQJ B15J