



RGPN

Parts List
01-October-2017



*This parts list is current as of the above revision date.
See <http://www.rheempartslists.net/92-42800-RGPN.pdf> for the current revision.*

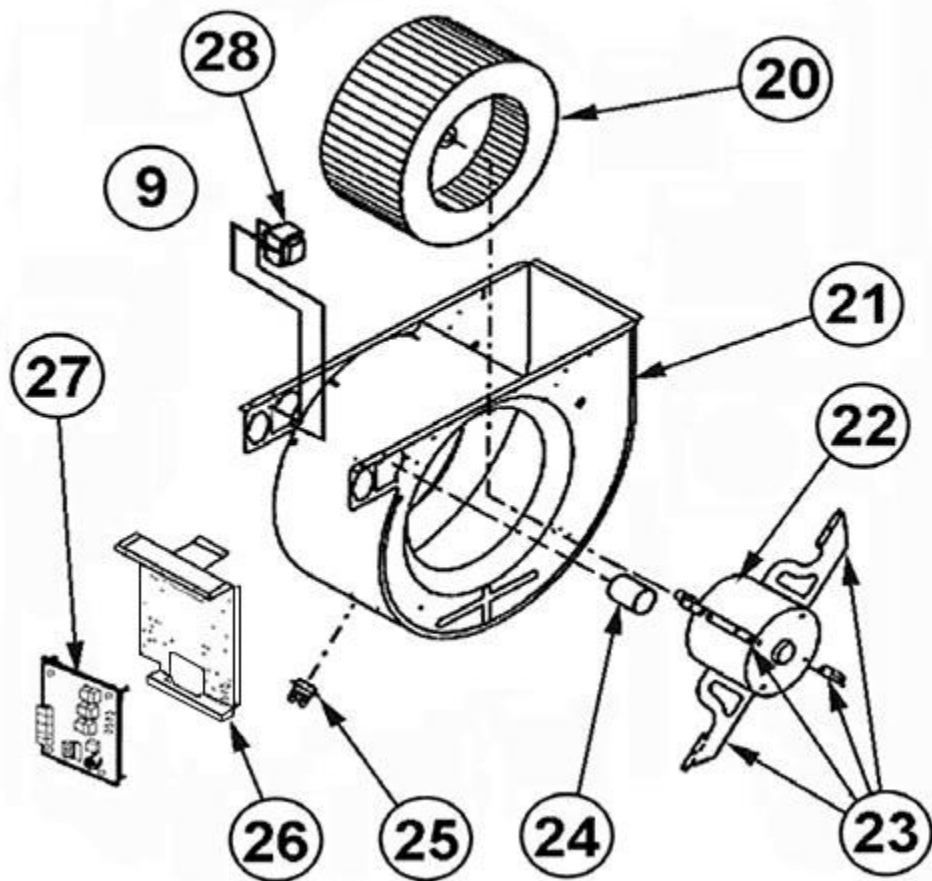
80% Gas Furnaces

No.	Notes	MODEL HEATING CAPACITY VARIATION BLOWER DESIGNATION AIRFLOW	RGPN	RGPN	RGPN	RGPN
			05E A U E	07E A M E	07E A M G	10E A M E
ELECTRICAL GROUP						
4		Door Switch - Push Button	42-22692-01	42-22692-01	42-22692-01	42-22692-01
15	Stk	Limit - Main Limit (Heat Exchanger Panel)	47-25349-11	47-25349-01	47-25349-03	47-25349-01
18	Stk,1	Pressure Switch	42-101082-01	42-101082-01	42-101082-01	42-101082-01
19	Stk	Induced Draft Blower w/Gasket	70-101087-01	70-101087-01	70-101087-01	70-101087-01
25	Stk	Limit - Heat Assisted (Blower Housing)	47-22860-01	47-22860-01	47-22860-01	47-22860-03
27		Integrated Furnace Control Board (IFC)	See Gas Controls			
28	Stk	Transformer	46-24124-03	46-24124-03	46-24124-03	46-24124-03
37	Stk	Limit - Manual Reset (Burner Compartment)	47-22861-03 (1)	47-22861-03 (2)	47-22861-03 (2)	47-22861-03 (2)
		Wire Harness - 2 pin from board to 4 pin connector	45-24371-09	45-24371-09	45-24371-09	45-24371-09
		Wire Harness - 4 pin to 2 terminals on indoor draft motor	45-24371-19	45-24371-19	45-24371-19	45-24371-19
		Wire Harness - 9 pin from board to 9 pin	45-24371-04	45-24371-04	45-24371-04	45-24371-04
		Wire Harness - 9 pin to 8 terminals (for flame sensor, gas valve, pressure control and limit switches)	45-24371-13	45-24371-13	45-24371-13	45-24371-13

No.	Notes	MODEL HEATING CAPACITY VARIATION BLOWER DESIGNATION AIRFLOW	RGPN	RGPN	RGPN	
			10E B J R	12E A R J	15E A R J	
ELECTRICAL GROUP						
4		Door Switch - Push Button	42-22692-01	42-22692-01	42-22692-01	
15	Stk	Limit - Main Limit (Heat Exchanger Panel)	47-25349-03	47-25349-03	47-25349-03	
18	Stk,1	Pressure Switch	42-101082-01	42-101082-01	42-101082-01	
19	Stk	Induced Draft Blower w/Gasket	70-101087-01	70-101087-01	70-101087-01	
25	Stk	Limit - Heat Assisted (Blower Housing)	47-22860-01	47-22860-03	47-22860-04	
27		Integrated Furnace Control Board (IFC)	See Gas Controls			
28	Stk	Transformer	46-24124-03	46-24124-03	46-24124-03	
37	Stk	Limit - Manual Reset (Burner Compartment)	47-22861-03 (2)	47-22861-03 (2)	47-22861-03 (2)	
		Wire Harness - 2 pin from board to 4 pin connector	45-24371-09	45-24371-09	45-24371-09	
		Wire Harness - 4 pin to 2 terminals on indoor draft motor	45-24371-19	45-24371-19	45-24371-19	
		Wire Harness - 9 pin from board to 9 pin connector	45-24371-04	45-24371-04	45-24371-04	
		Wire Harness - 9 pin to 8 terminals (for flame sensor, gas valve, pressure control and limit switches)	45-24371-13	45-24371-13	45-24371-13	

No.	Notes	MODEL HEATING CAPACITY VARIATION BLOWER DESIGNATION AIRFLOW	RGPN	RGPN	RGPN	RGPN
			05E A U E	07E A M E	07E A M G	10E A M E
BLOWER GROUP						
9	Stk	Blower Assembly (Includes items 20-24)	AS-61697-47	AS-61697-50	AS-61697-55	AS-61697-50
20	Stk	Wheel	70-22683-01	70-22688-01	70-23111-05	70-22688-01
21		Housing	AS-61674-20	AS-61674-21	AS-61674-21	AS-61674-21
22	Stk	Blower Motor	51-22873-01	51-24070-02	51-25023-01	51-24070-02
23		Motor Mount Leg (4)	AE-61698-02	AE-61698-02	AE-61698-02	AE-61698-02
24	Stk	Capacitor - Blower Motor	43-100509-42	43-100509-42	43-21298-43	43-100509-42
25		Limit - Heat Assisted (Blower Housing)	See Electrical Group			
26		Mounting Control Plate	AE-67877-01	AE-67877-01	AE-67877-01	AE-67877-01
27		Integrated Furnace Control Board (IFC)	See Gas Controls			

No.	Notes	MODEL HEATING CAPACITY VARIATION BLOWER DESIGNATION AIRFLOW	RGPN	RGPN	RGPN	
			10E B J R	12E A R J	15E A R J	
BLOWER GROUP						
9	Stk	Blower Assembly (Includes items 20-24)	AS-61697-52	AS-61697-52	AS-61697-52	
20	Stk	Wheel	70-20602-01	70-20602-01	70-20602-01	
21		Housing	AS-61674-22	AS-61674-22	AS-61674-22	
22	Stk	Blower Motor	51-25023-01	51-25023-01	51-25023-01	
23		Motor Mount Leg (4)	AE-61698-02	AE-61698-02	AE-61698-02	
24	Stk	Capacitor - Blower Motor	43-21298-43	43-21298-43	43-21298-43	
25		Limit - Heat Assisted (Blower Housing)	See Electrical Group			
26		Mounting Control Plate	AE-67877-01	AE-67877-01	AE-67877-01	
27		Integrated Furnace Control Board (IFC)	See Gas Controls			



Blower Assembly