

*For Residential and Commercial Applications*

Job Name:

Engineer/Architect:

Job Location:

Wholesaler:

Submittal Date:

Contractor:

## G2CP09X/19X 1/4 Turn Angle Stop Press Connect x Compression

**Use:** For use in potable water distribution systems in accessible locations only. Not intended for recirculation systems/continuous use temperatures above 115° F. For those applications, use our KT™ series ball stop.

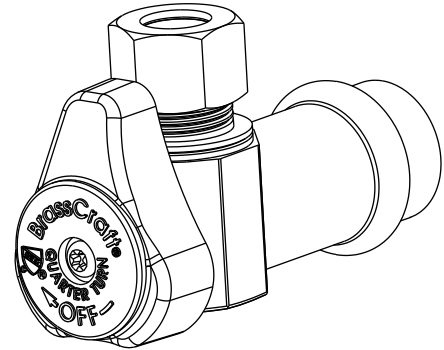
**Design Features:**

- **Chrome finish**
- **Fast, reliable, and secure connection**
- **Compatible with copper**
- **Easy-to-remove handle** protects against accidental operation during rough-ins
- **One-piece shut-off mechanism** provides smooth on-off operation without freeze ups even after long periods of non-use
- **Positive 1/4 turn shut-off** provides easy on/off flow control
- **100% leak tested**

**Operating Specifications:**

**Temperature:** 40° - 160° F

**Pressure:** 125 PSI maximum



**STOP MATERIAL SPECIFICATIONS**

<b>Body</b>	<i>Brass, plated</i>
<b>Ball</b>	<i>Brass, plated</i>
<b>Stem</b>	<i>Brass</i>
<b>Stem O-ring</b>	<i>EPDM</i>
<b>Seats</b>	<i>PTFE</i>
<b>Press Connect O-ring</b>	<i>EPDM</i>
<b>Handle</b>	<i>ABS, plated</i>
<b>Screw</b>	<i>Stainless steel</i>
<b>Compression Nut</b>	<i>Brass, plated</i>
<b>Compression Sleeve</b>	<i>Brass</i>

**Part Listing:**

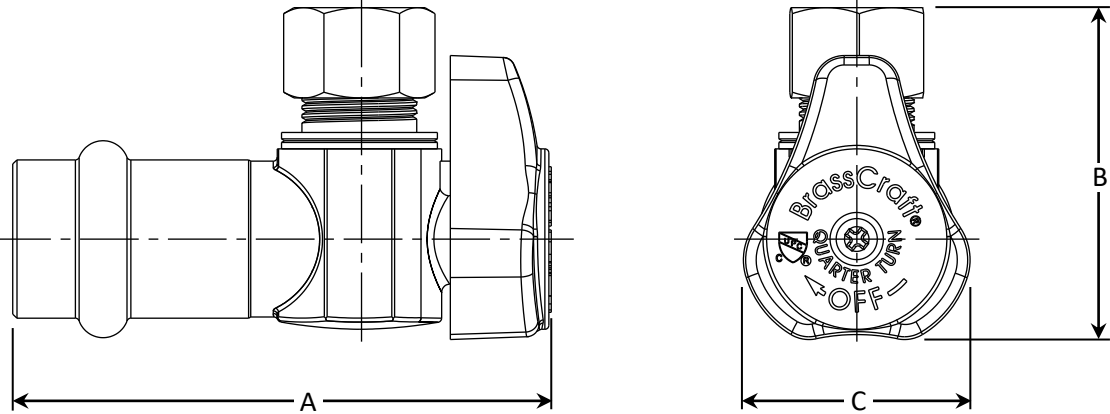
- G2CP09X C1 1/2" nom press connect x 1/4" OD compression, chrome plated, window tray
- G2CP19X C1 1/2" nom press connect x 3/8" OD compression, chrome plated, window tray

**PART DIMENSIONS (Inches)**

<b>Model</b>	<b>DIM. A</b>	<b>DIM. B</b>	<b>DIM. C</b>
G2CP09X	2.57	1.70	1.09
G2CP19X	2.57	1.59	1.09

*This specification and all information contained herein is the confidential and exclusive property of BrassCraft Manufacturing Company and shall not be disclosed to others without the written consent of BrassCraft. This specification must be returned to BrassCraft if requested.*

# G2CP09X/19X 1/4 Turn Angle Stop Press Connect x Compression



**Listings & Certifications:**

- IAPMO listed to ASME A112.18.1 / CSA B125.1 (includes NSF/ANSI 372 and NSF/ANSI/CAN 61)

NSF/ANSI/  
CAN61:Q≤0.5



*This specification and all information contained herein is the confidential and exclusive property of BrassCraft Manufacturing Company and shall not be disclosed to others without the written consent of BrassCraft. This specification must be returned to BrassCraft if requested.*