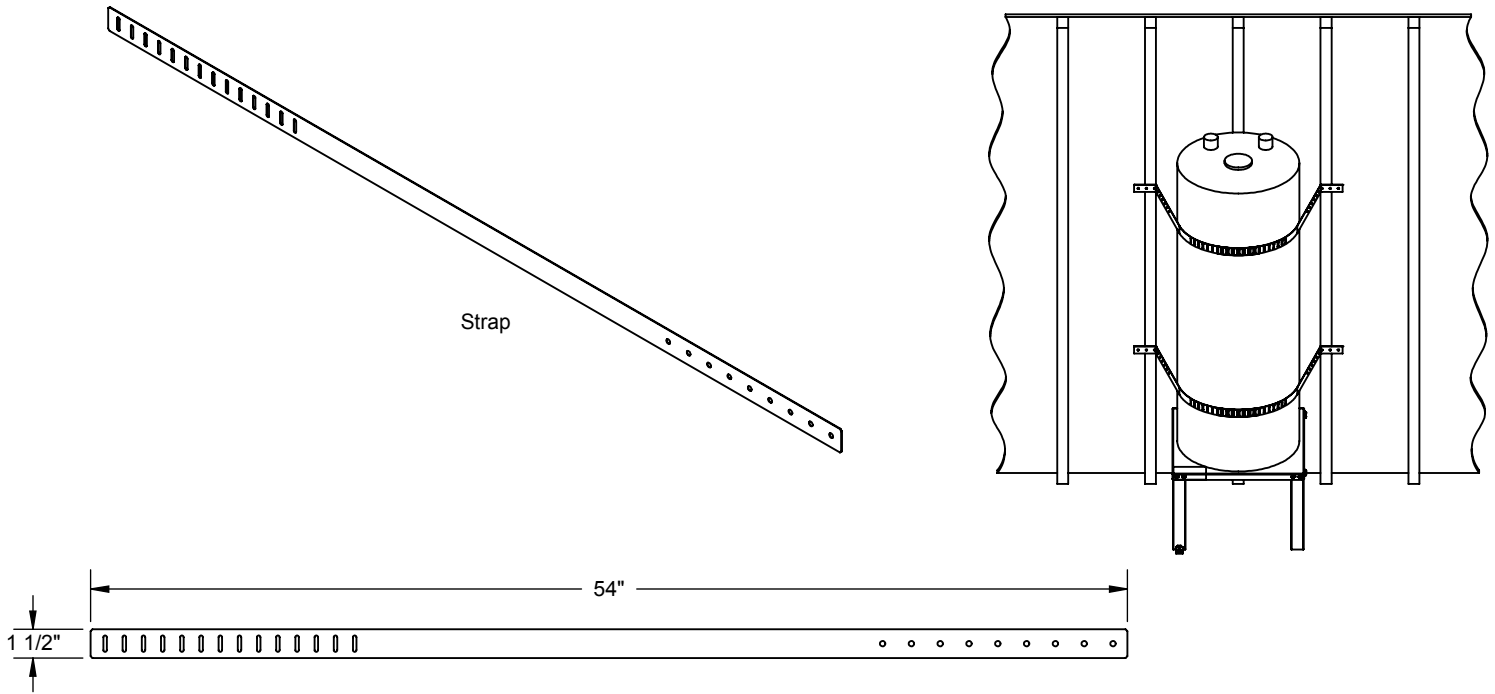


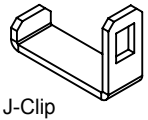
PRODUCT SPECIFICATION DRAWING

QUICK STRAP® #QS-120

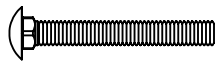
Seismic support for water heaters



ALL DIMENSIONS IN INCHES



J-Clip



Carriage Bolt, #3/8-16 x 3.0" long



3/8" Hex Nut

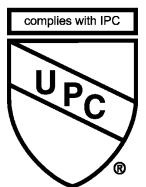


Lag Bolt, #1/4-10 x 2-1/2" Long

The QUICK STRAP® #QS-120 is a seismic/earthquake support system for water heaters up to 120 U.S. gallons in size. The system includes: (4) Straps, (4) J-Clips, (4) Lag Bolts, (2) 3/8" Carriage Bolts and (2) 3/8" Hex Nuts. The Quick Link® system allows for full adjustment from the front side of the water heater.

Product Information:

- Material: Strap, 24 gage CRS, galvanized
- California Division State Architect (DSA) approval #98-018
- UPC / IPC / IAPMO listed



THIS INFORMATION IS PROPRIETARY TO HOLDRITE AND IS SUBJECT TO CHANGE WITHOUT NOTICE. IT MAY NOT BE REPRODUCED IN PART OR WHOLE WITHOUT WRITTEN AUTHORIZATION.



CONVERTING MAKESHIFT METHODS INTO ENGINEERED SOLUTIONS™

800-321-0316 OR 760-744-6944 / FAX: 760-744-0507 / WWW.HOLDRITE.COM
spec_QS-120_RevM

Product Submittal	
Job Name:	
Date:	
Part Number:	Qty:
Architect / Owner:	
Contractor:	
Notes:	