



# RHPN

Parts List  
03-October-2017



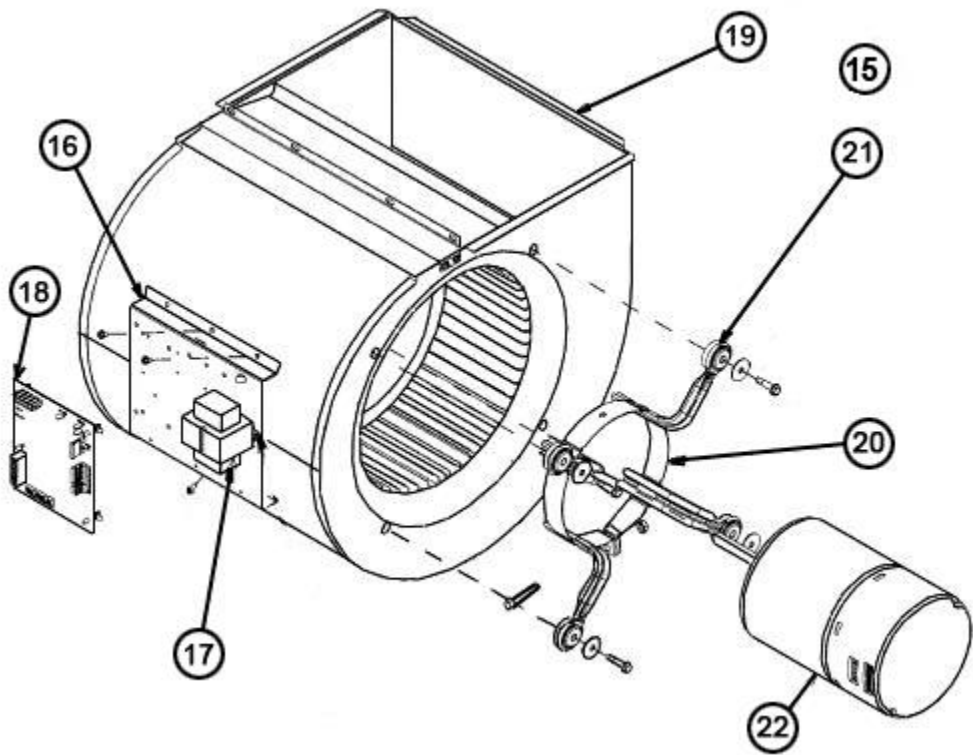
*This parts list is current as of the above revision date.  
See <http://www.rheempartslists.net/92-42800-RHPN.pdf> for the current revision.*

**Air Handlers**

No.	Notes	MODEL CAPACITY CABINET SIZE VOLTAGE VARIATION	RHPN	RHPN	RHPN	RHPN	RHPN
			24 21 J A	24 21 J C	36 24 J C	48 24 J C	60 24 J C
<b>ELECTRICAL GROUP</b>							
17	Stk	Transformer	46-101944-03	46-101944-03	46-101944-03	46-101944-03	46-101944-03
18	Stk	Control Board - ECM	47-102077-03	47-102606-00	47-102606-00	47-102606-00	47-102606-00
		Control - Identity EEPROM (Before W0111)	N/A	47-102738-41	47-102738-38	47-102738-39	47-102738-40
		Control - Identity EEPROM (On or After W0111)	N/A	47-102738-46	47-102738-47	47-102738-48	47-102738-49
		Wiring Harness - 5 pin to 3 terminals (2 straight/1 ring), 3 wires from plug	45-24258-16	45-24258-16	45-24258-16	45-24258-16	45-24258-16
		Wiring Harness - 9 pin to 9 strip leads (For T-Stat)	45-101891-02	N/A	N/A	N/A	N/A
		Wiring Harness - 16 pin to 16 pin (Indoor Blower Motor)	45-24258-14	N/A	N/A	N/A	N/A
		Wiring Harness - 4 pin to 4 pin (Indoor Blower Motor)	N/A	45-24258-25	45-24258-25	45-24258-25	45-24258-25
		Wiring Harness - 11 pin to 11 strip leads (T-stat)	N/A	45-101891-04	45-101891-04	45-101891-04	45-101891-04
11		Terminal Block	45-23222-02	45-23222-02	45-23222-02	45-23222-02	45-23222-02

No.	Notes	MODEL CAPACITY CABINET SIZE VOLTAGE VARIATION	RHPN	RHPN	RHPN	RHPN
			24 21 J C	36 24 J C	48 24 J C	60 24 J C
<b>BLOWER GROUP</b>						
15	Stk	Blower Assembly (Includes items 16-22)	AS-101885-11	AS-101885-13	AS-101885-13	AS-101885-13
16		Mounting Bracket - Control Board	AE-101049-01	AE-101049-01	AE-101049-01	AE-101049-01
17		Transformer	See Electrical Group			
18		Control Board - ECM	See Electrical Group			
19		Blower Housing w/Wheel	70-101729-02	70-101729-04	70-101729-04	70-101729-04
20		Motor Mount - Band	70-19927-04	70-19927-04	70-19927-04	70-19927-04
21		Motor Mount - Arm (4)	70-19929-10	70-19929-10	70-19929-10	70-19929-10
22	Stk,2	Blower Motor - ECM (See Note 2)	51-102601-01	51-102603-01	51-102603-01	51-102603-01
	Stk,2	ECM Motor Module - U.S. Motors PerfectSpeed (See Note 2)	51-104362-04	51-104362-02	51-104362-02	51-104362-02
	Stk,2	ECM Motor Module - Genteq ECM 3.0 (See Note 2)	51-103225-01	51-103224-01	51-103224-01	51-103224-01
	Stk	Blower Wheel	703014	703015	703015	703015
		Wiring Harness - Indoor Blower Motor	See Electrical Group			
23		Mounting Bracket Cover	AE-101797-01	AE-101797-01	AE-101797-01	AE-101797-01

No.	Notes	MODEL CAPACITY CABINET SIZE VOLTAGE VARIATION	RHPN			
			24 21 J A			
<b>BLOWER GROUP</b>						
15	Stk	Blower Assembly (Includes items 16-22)	AS-101885-09			
16		Mounting Bracket - Control Board	AE-101049-01			
17		Transformer	See Electrical Group			
18		Control Board - ECM	See Electrical Group			
19		Blower Housing w/Wheel	70-101729-02			
20		Motor Mount - Band	70-19927-04			
21		Motor Mount - Arm (4)	70-19929-10			
22	Stk	Blower Motor - ECM (Includes Motor and Module)	51-24373-09			
	Stk	ECM Motor Module	51-24381-97			
	Stk	Blower Wheel	703014			
		Wiring Harness - Indoor Blower Motor	See Electrical Group			
23		Mounting Bracket Cover	AE-101797-01			



Blower Assembly