

Model: 40311CGR – 40315CGR Series



A Moen Incorporated Brand



Trims for Pressure Balancing Cycling In-Wall Valve w/Water-Saving Showerhead

DESCRIPTION

- Metal construction with chrome plated or LifeShine® Brushed Nickel finishes
- 40315CGR–shower only trim
- 40311CGR–tub/shower trim w/ slip fit tub spout
- Twelve (12) individual boxes per master carton

OPERATION

- Rotating style metal lever handle
- Temperature control by 150° arc
- Will operate with less than 5 lbs of torque
- Metal escutcheon features back printed polycarbonate overlay with red/blue international temperature marking
- Protective gaskets surround interior and exterior rim
- Weep hole located at bottom of escutcheon
- Slip fit tub spout connects to 1/2" pipe with bottom 5/32" set screw
- IPS tub spout connects to 1/2" mips pipe

FLOW

- Showerhead limited to 1.75 gpm (6.65 L/min) MAX at 80 psi

IN-WALL VALVE SOLD SEPARATELY

- 45311 CC/Male IPS with stops
- 45312 CC/Male IPS
- 45317 Female IPS with stops
- 45318 Female IPS
- 45319 PEX connections

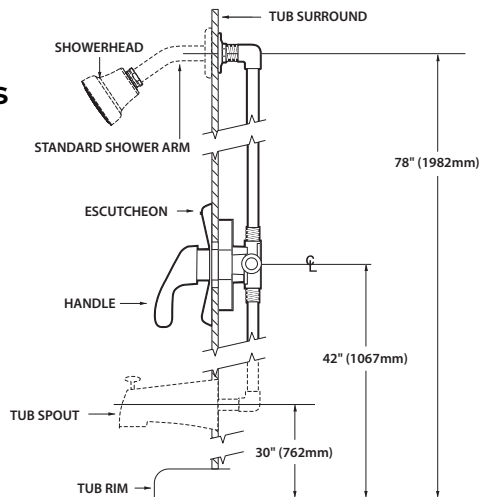
STANDARDS

- Third party certified to WaterSense®, ASME A112.18.1/CSA B-125.1, and all applicable requirements referenced therein
- IAPMO Green Listed
- Features red/blue hot/cold temperature indicators
- ADA ♿ for lever handle

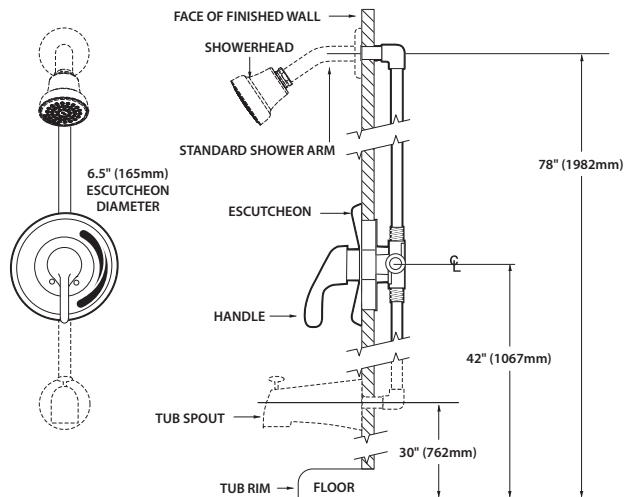
WARRANTY – RESIDENTIAL, COMMERCIAL

- Ten (10) year limited warranty against defects in materials and manufacturing workmanship
- Refer to the installation instructions enclosed with each CFG product or call 1-888-450-4910 for complete warranty information

CRITICAL DIMENSIONS



THIN WALL



THICK WALL