

## Room Air Conditioners - Fan Coils - Blowers

### Features:

- Auto Protector
- Continuous Duty, Air Over
- Energy Efficient \$
- Permanent Split Capacitor
- 1/2" Dia. Flatted Shafts
- CCWLE Rotation
- Sleeve Bearing
- Semi-Enclosed Construction
- 60 Hz

OEM replacement for Chrysler, Sears, Whirlpool, Gibson, Carrier, Quiet Kool, Delco, Singer, American Standard, Fedders, Tappan, York and others.



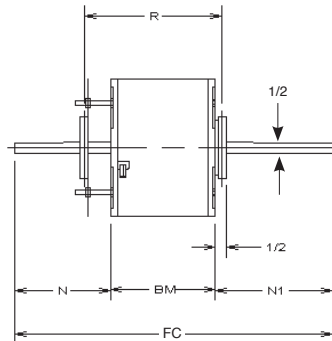
- Lugs available separately
- Use Kit No. 1327 - 1/4" Slot
- 1328 - 3/4" Slot
- 1329 - Length Adapter

HP	RPM**	Speeds	Volts	Amps Rated	Stock Number	Capacitor	Dim. Ref.	Notes
1/2	1075	3	115	5.2	<b>RAL1056</b>	10MFD-370V	4	24,31,\$
1/2	1075	3	115	6.8	<b>594A</b>	10MFD-370V	2	29,\$
1/2	1075	3	208-230	2.7	<b>RA1056</b>	7.5MFD-370V	3	24,29,\$
1/2	1075	3	208-230	2.7	<b>SA1056</b>	7.5MFD-370V	3	29,\$
1/2	1075	3	208-230	2.7	<b>RA1056WB</b>	7.5MFD-370V	6	6,29,81,\$
1/2	1075	2	230	4.0	<b>DSB1056H</b>	Included	8	31,81,\$
1/2	1625	3	115	6.0	<b>RA1054</b>	5MFD-370V	3	24,31,\$
1/2	1625	3	208-230	3.2	<b>RA1054</b>	5MFD-370V	3	6,24,31,\$
1/2	1625	3	208-230	3.8	<b>173</b>	5MFD-370V	9	1,31,\$
3/4	1075	3	115	12.6	<b>9600A</b>	10MFD-370V	1	31,\$
3/4	1075	3	115	8.2	<b>RAL1076</b>	15MFD-370V	4	24,31,\$
3/4	1075	1	200-230	4.4-4.2	<b>RA1176WB</b>	25MFD-370V	7	2,29,81,159,348,\$
3/4	1075	3	208-230	3.6	<b>RA1076</b>	7.5MFD-370V	4	24,31,\$
3/4	1625	3	208-230	3.8	<b>RA1074</b>	7.5MFD-370V	5	24,31,\$
3/4	1625	3	208-230	4.2	<b>482</b>	7.5MFD-370V	2	1,24,31,\$

### Notes:

1. Item to be discontinued when stock is depleted
  2. Ball bearing
  6. 60/50 HZ
  24. Mounting Accessories Packaged with Motor
  29. 60°C Ambient
  31. 40°C Ambient
  81. Includes base
  159. Open drip proof
  348. 6-1/2" diameter
- \*\*Approximately 150 RPM difference between speeds.

Minimum R = BM + 3/4"  
Maximum R = BM + 2"



### Approximate Dimensions

Ref.	BM	FC	N	N1
1	5.50	21.50	8.00	8.00
2	5.25	20.25	7.50	7.50
3	5.11	20.00	7.64	7.25
4	5.36	20.00	7.39	7.25
5	5.61	20.00	7.14	7.25
6	5.11	21.74	8.63	8.00
7	10.26	23.88	6.81	6.81
8	4.86	19.86	7.50	7.50
9	5	22.25	8.63	8.62