

## Diva® C•L® Dimmer

**Dimmer for CFL, LED, Halogen, and Incandescent dimmable bulbs.**

### Features

- Large paddle switch with a captive linear-slide dimmer for a standard designer wallplate opening
- HED™ Technology: Advanced Lutron® dimming circuitry designed for compatibility with most high efficacy light bulbs
- UL® Listed to control:
  - Dimmable compact fluorescent (CFL) with integrated ballast
  - Dimmable LED with integrated driver
  - Halogen
  - Incandescent
- Low-end adjustment to accommodate a wide range of bulbs
- 100% factory tested

### Application Requirements

- **When dimming CFLs or LEDs, only bulbs marked or rated as DIMMABLE may be used.**
- For a complete list of compatible DIMMABLE CFLs and LEDs please visit [www.lutron.com/dimcflled](http://www.lutron.com/dimcflled). For questions call 1.800.523.9466.
- Some DIMMABLE CFLs and LEDs require a minimum number of bulbs for proper operation. For details and a list of bulbs, please visit [www.lutron.com/dimcflled](http://www.lutron.com/dimcflled).

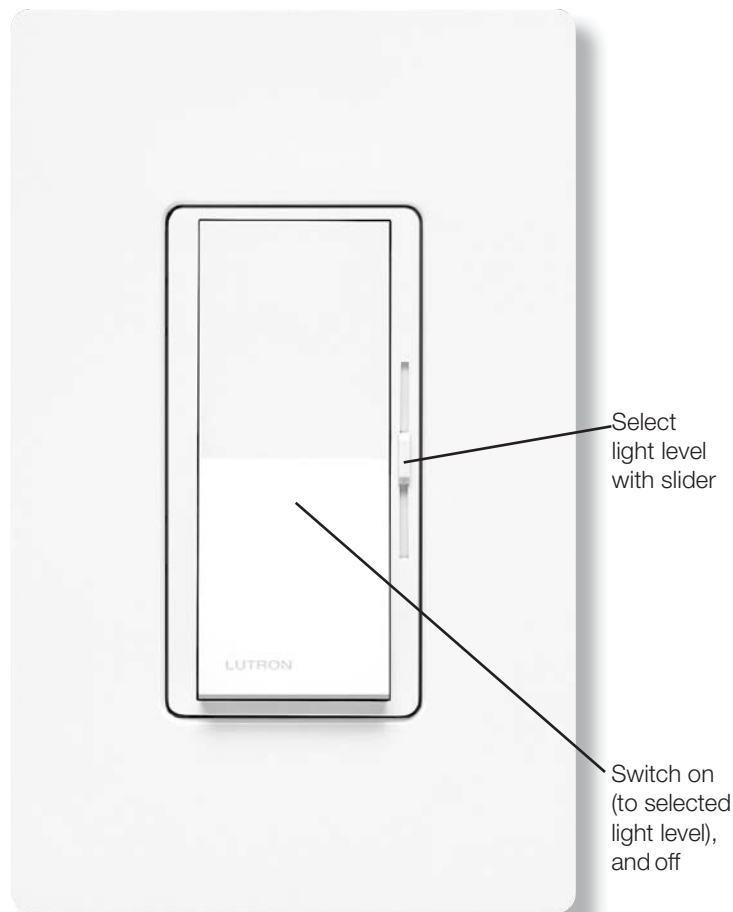
### Model Numbers

DVCL-153P-XX<sup>1</sup> Gloss Finish, Single pole/3-way<sup>2</sup>

DVSCCL-153P-XX<sup>1</sup> Satin Colors, Single pole/3-way<sup>2</sup>

<sup>1</sup> “XX” in the model number represents color/finish code; see “Colors and Finishes” on next page.

<sup>2</sup> For 3-way and 4-way switching, use Claro® switches or other mechanical switches.



Select light level with slider

Switch on (to selected light level), and off

\* Wallplate sold separately

Job Name:	Model Numbers:
Job Number:	

# Specifications

## Regulatory Approvals

- UL® Listed to US and Canadian safety requirements  
UL1472 / CSA C22.2 184.1
- NOM

## Power and Ratings

- 120 V~ 60 Hz
- 150 W dimmable CFL/LED
- or**
- 600 W Incandescent/Halogen
- or**
- Mixed bulb type per **Multigang and Mixed Bulb Type Ratings** table (see page 3)

## Environment

- For indoor use only.
- Operating temperatures 32 °F to 104 °F (0 °C to 40 °C).

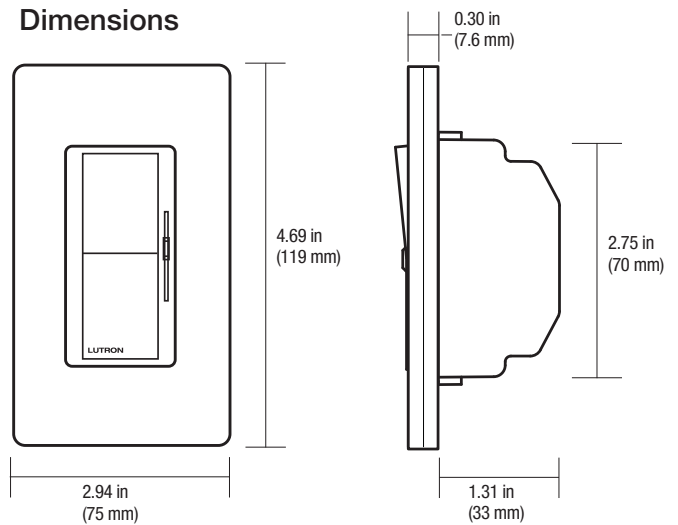
## Performance

- Power-failure memory
- Captive linear slider
- Electrostatic discharge tested
- Precise color matching
- Mechanical air-gap switch to disconnect load power

## Warranty

- 1 Year Limited Warranty
- For additional Warranty information, please visit  
[http://www.lutron.com/TechnicalDocumentLibrary/369-119\\_Wallbox\\_Warranty.pdf](http://www.lutron.com/TechnicalDocumentLibrary/369-119_Wallbox_Warranty.pdf)

## Dimensions



**Note:** Requires a U.S. wallbox 2½ in (64 mm) deep minimum.

## Colors and Finishes

### Gloss Finishes

Add color/finish code to model #

**Example: DVCL-153P-WH**

WH	White
IV	Ivory
AL	Almond
LA	Light Almond
GR	Gray
BR	Brown
BL	Black

### Satin Colors®

Add color/finish code to model #

**Example: DVSCCL-153P-SW**

HT	Hot
MR	Merlot
PL	Plum
TQ	Turquoise
SG	Sea Glass
TP	Taupe
ES	Eggshell
BI	Biscuit
SW	Snow
PD	Palladium
MN	Midnight
TC	Terracotta
SI	Sienna
GB	Green Briar
BG	Bluestone
MS	Mocha Stone
GS	Goldstone
DS	Desert Stone
ST	Stone
LS	Limestone

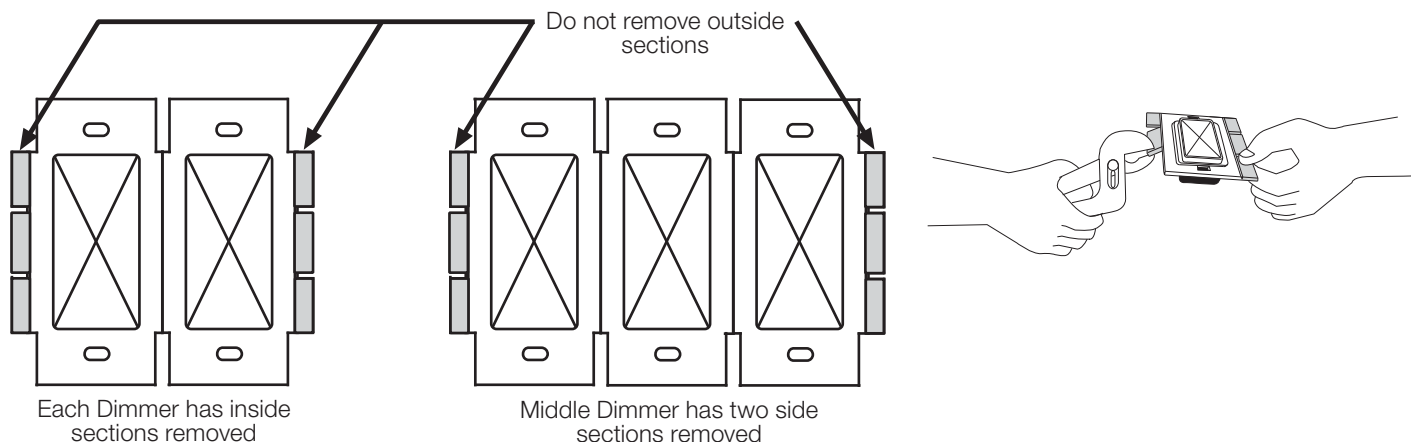
Job Name:	Model Numbers:
Job Number:	

## Multigang and Mixed-Bulb-Type Ratings

When installing more than one Dimmer in the same wallbox, it may be necessary to remove some side sections prior to wiring (**see diagram**). Removal of Dimmer side sections may reduce maximum wattage, as shown in the chart below.

Mixing bulb types (**using a combination of CFL/LED, and Incandescent/Halogen bulbs**) will also affect the maximum ratings, as shown in the chart below.

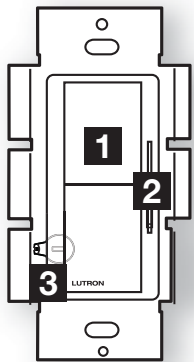
\*EXAMPLE: If one set of side sections is removed and you have two 24 W CFL bulbs installed (Total CFL Wattage = 48 W), you may add up to 300 W of incandescent or halogen lighting.



Total CFL/LED Wattage Installed (Wattage per bulb x # of bulbs)	+	Maximum Allowable Incandescent/Halogen Wattage		
		No sides removed	1 side removed	2 sides removed
0 W		600 W	500 W	400 W
1 W – 25 W		500 W	400 W	300 W
26 W – 50 W		400 W	300 W	200 W
51 W – 75 W		300 W	200 W	100 W
76 W – 100 W		200 W	100 W	50 W
101 W – 125 W		100 W	50 W	0 W
126 W – 150 W		0 W	0 W	0 W

Job Name:	Model Numbers:
Job Number:	

**Operation** (View with wallplate removed)



**1 Switch**  
Turns lights ON and OFF.

**2 Slider**  
Controls light level.

+ **Up**  
Increases light level

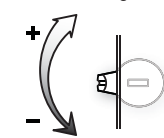
- **Down**  
Decreases light level

**IMPORTANT: Set slider to bottom before adjusting dimming range.**

**Lever-type Adjustment Dial**

**3 Adjustment lever**  
Sets low end dimming limit.

**Up (clockwise)**  
Increases brightness



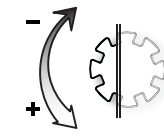
**Down (counter-clockwise)**  
Decreases brightness

OR

**Wheel-type Adjustment Dial**

**3 Adjustment dial**  
Sets low end dimming limit.

**Up (clockwise)**  
Decreases brightness

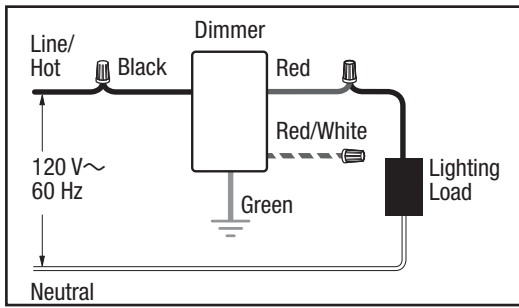


**Down (counter-clockwise)**  
Increases brightness

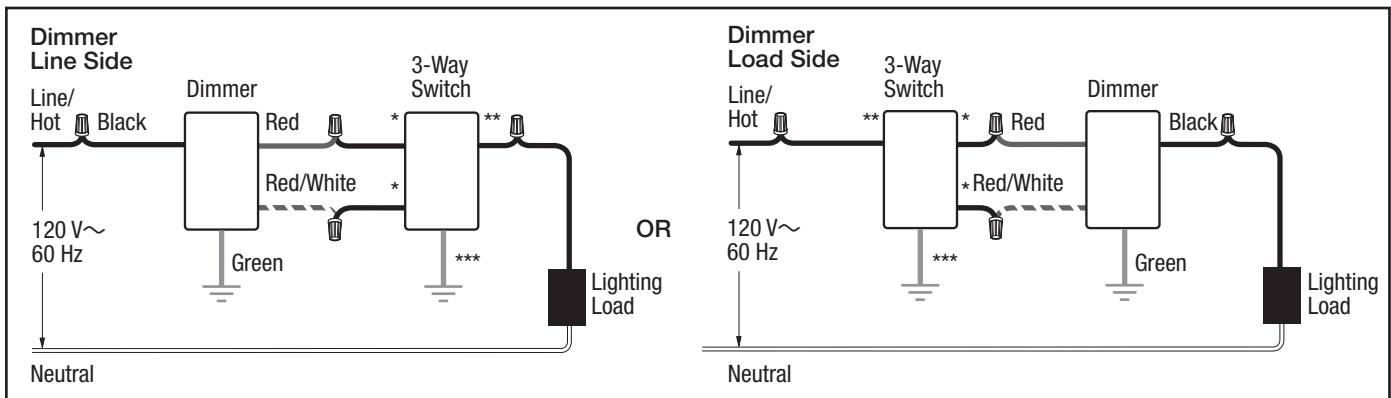
<p>Job Name:</p>  <p>Job Number:</p>	<p>Model Numbers:</p>
--	-----------------------

# Wiring Diagrams

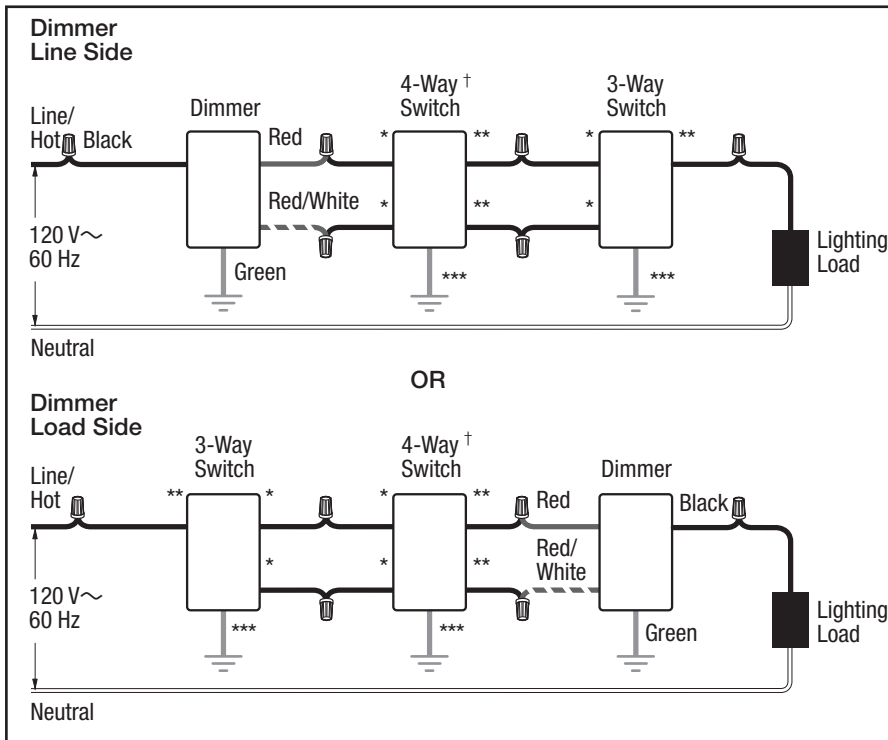
## Single-Pole Wiring



## 3-Way Wiring



## 4-Way Wiring



- \* or Copper/Black screw terminal
- \*\* or Brass/Gold screw terminal
- \*\*\* or Green screw terminal
- † Please refer to switch instruction sheet for proper wiring.

**Note for 4-Way Wiring:**  
Dimmer must be installed Line Side or Load Side. It cannot be installed in the 4-way location.

Job Name:	Model Numbers:
Job Number:	