



4675 W. 160th St.
Cleveland, Ohio 44135
Ph: (800) 321-9532
Fax: (800) 321-9535
www.dearbornbrass.com

SUBMITTAL SPECIFICATION

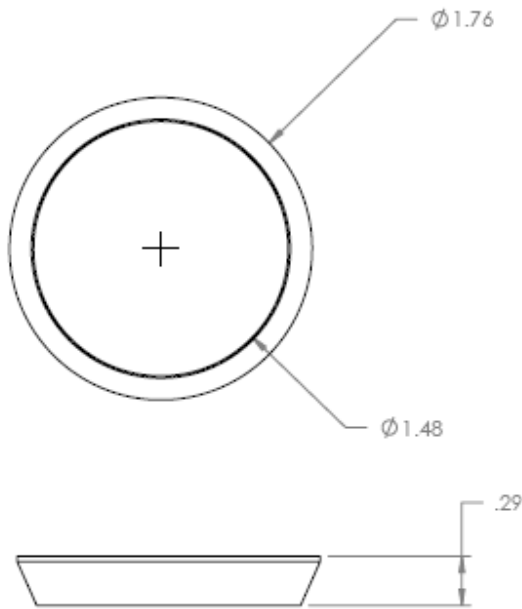
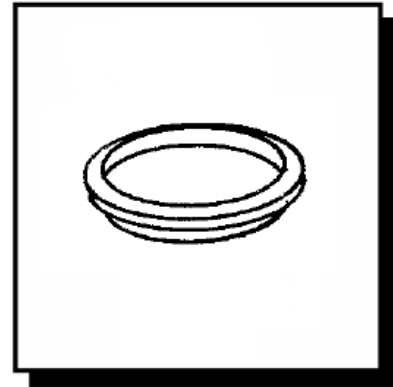
PLASTIC TUBULAR BULK SLIP JOINT WASHERS

Engineering Specification: Dearborn Brass Plastic Tubular Slip Joint Washers are designed for use in tubular drain applications. Available in 1-1/4" x 1-1/4" Washer, 1-1/2" x 1-1/2" Washer or 1-1/4" x 1-1/2" Reducing Washer.

Job Reference

DESCRIPTION

- Made of polyethylene plastic
- Premium True Blue Washers provide superior sealing



P9002

✓	Product No.	Description	Carton Quantity	Carton Weight (lbs)
	7206	1-1/2" x 1-1/4" True Blue Reducing Premium Washer	100	
	7207	1-1/2" x 1-1/2" True Blue Premium Washer	100	
	9002A	1-1/4" x 1-1/4" Polyethylene Washer	100	.4
	9002	1-1/2" x 1-1/2" Polyethylene Washer	100	.3
	9003	1-1/2" x 1-1/4" Polyethylene Reducing Washer	100	.9

Data is subject to manufacturing tolerances.

