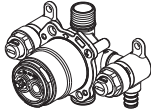
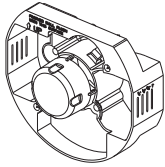


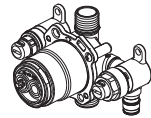
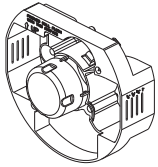
SPECIFICATIONS

Use with trim kits for:

GERBER



G00GS525S



G00GS527S

Features/Benefits

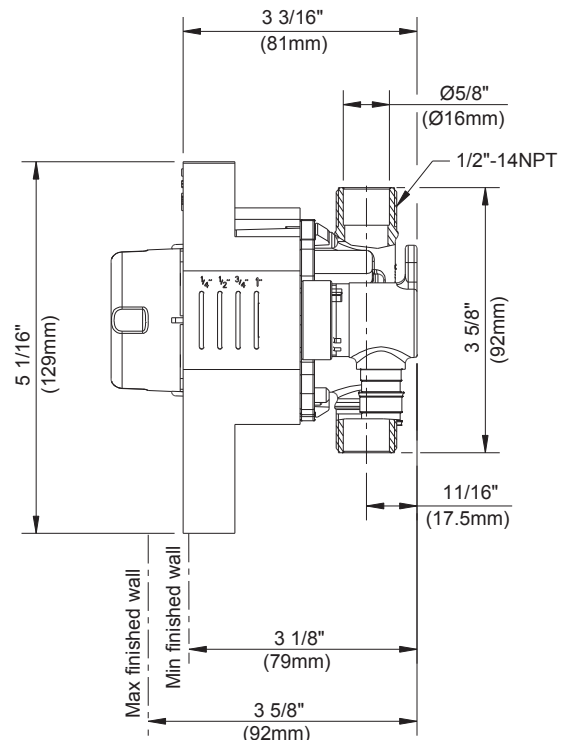
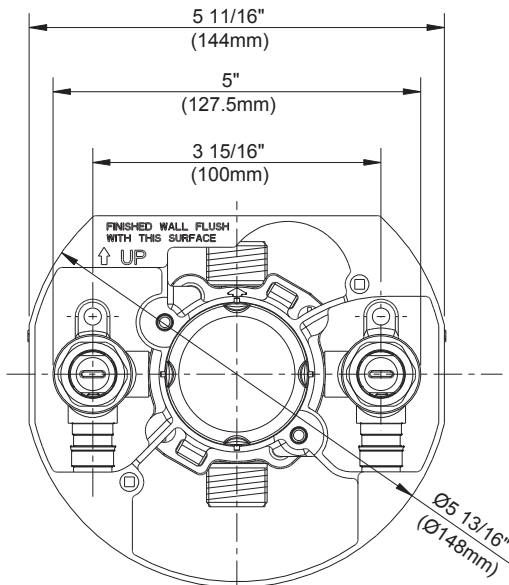
- Includes Forged Valve Body, Plaster Guard and Innovative Pressure Test Cap
- Connection Type:
G00GS525S: 1/2" Crimp PEX Inlets, 1/2" IPS/Sweat Outlets
G00GS527S: 1/2" Cold Expansion PEX Inlets, 1/2" IPS/Sweat Outlets
- Includes 1/4 Turn Service Stops
- Installed Rough-In Can Be Pressure Tested to 150 psi (Air or Water), Mixed or Isolated Inlets, Using Included Pressure Test Plug
- Accommodates Standard, Back-to-Back, and Thin Wall Installations
- Integrated, Easy-Access Mounting System
- Treysta Cartridge Ships with Trim, Sold Separately

SKU# Numbers

G00GS525S Crimp PEX Inlets with Stops

G00GS527S Cold Expansion PEX Inlets with Stops

Standards & Certifications



Submittal Information:

Name: _____
Location: _____

Contractor: _____
Contact #: _____