

1/2" LANCED GRILLE

- Available for horizontal or vertical installation
- Deflection angle set at 35°



STEEL

170

ALUMINUM

A 170

1/3" LANCED

- Available for horizontal or vertical installation
- Deflection angle set at 20°



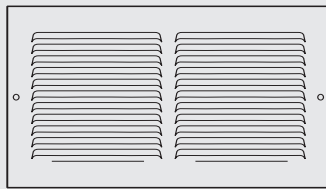
STEEL

173

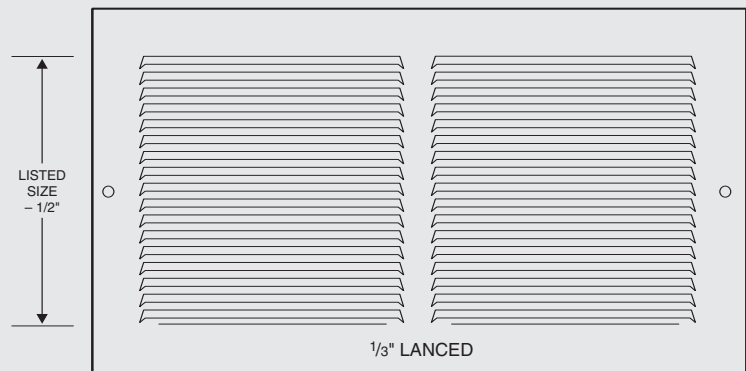
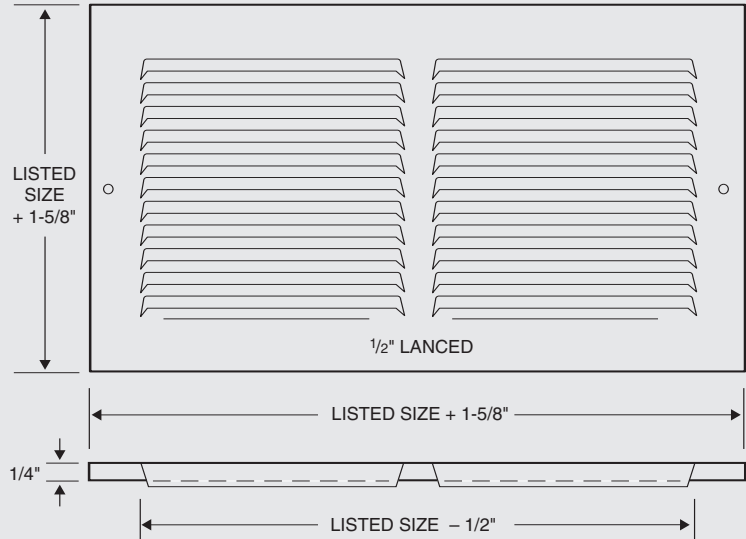
Dimensional Information

DESCRIPTION PATTERNS	MODEL/LANCE SPACING	
	1/3" LANCED	1/2" LANCED
ONE-WAY HORIZONTAL	173	170*

*Available in aluminum - ADD PREFIX "A"



ONE-WAY HORIZONTAL



CFM

Size	Area (AK)	(SQ FT)	100	150	200	300	400	500	600	700	800	900	1000	1200	1500	2000	2500	3000	3500
6 x 6 (6 x 4) (8 x 4)	.28	-PT VK	.031 357	.061 535	.140 714	.176 1071													
10 x 4 (10 x 5) (8 x 6) (12 x 4)	.30	-PT VK	.022 333	.036 500	.125 667	.160 1000													
10 x 6 8 x 8 (14 x 4)	.43	-PT VK	.015 233	.030 349	.045 465	.110 698	.136 930	.191 1163											
12 x 6 (10 x 8) 18 x 4	.51	-PT VK		.021 294	.037 392	.081 588	.110 784	.140 980											
14 x 6 (20 x 4)	.58	-PT VK			.026 344	.059 517	.096 690	.130 862	.150 1034										
12 x 8 16 x 6 24 x 4 (10 x 10)	.64	-PT VK			.020 313	.043 469	.078 625	.110 781	.135 938										
14 x 8 (20 x 6)	.74	-PT VK			.017 270	.033 405	.060 540	.080 676	.115 811	.134 946									
16 x 8 (12 x 10) (30 x 4)	.83	-PT VK				.029 361	.051 482	.071 602	.090 723	.117 843	.146 964								
18 x 8 12 x 12 36 x 4 24 x 6 (14 x 10)	.92	-PT VK				.021 326	.037 435	.056 534	.077 652	.096 761	.120 869								
16 x 10 20 x 8 (14 x 12)	.95	-PT VK				.018 316	.029 421	.048 526	.069 632	.081 737	.100 842								
30 x 6 36 x 5 18 x 10	1.03	-PT VK				.013 291	.026 388	.039 485	.055 582	.077 680	.091 777	.116 874							
14 x 14 (16 x 12) (20 x 10) (24 x 8)	1.2	-PT VK				.009 250	.019 333	.027 417	.038 500	.051 583	.069 667	.081 750	.110 833						
18 x 12 36 x 6 (16 x 14) (28 x 8)	1.25	-PT VK					.016 320	.025 400	.038 480	.049 560	.061 640	.069 720	.090 800						
20 x 12 24 x 10 30 x 8	1.3	-PT VK					.013 307	.022 385	.031 462	.044 538	.057 615	.075 692	.080 769						
16 x 16 (18 x 14)	1.37	-PT VK					.011 292	.018 365	.028 438	.036 511	.053 584	.061 657	.072 730						
20 x 14 (18 x 16) (24 x 12) (36 x 8)	1.48	-PT VK					.008 270	.015 338	.023 405	.030 473	.041 541	.052 608	.068 676						
30 x 10	1.6	-PT VK						.012 313	.019 375	.024 438	.036 500	.046 563	.060 625	.090 750					
18 x 18 (24 x 14) (20 x 16)	1.8	-PT VK						.010 278	.017 333	.022 389	.030 444	.035 500	.046 556	.065 667					
20 x 18 30 x 12 36 x 10 (24 x 14)	1.97	-PT VK							.012 305	.018 355	.021 406	.026 457	.033 508	.048 609					

RETURN AIR

PERFORMANCE SPECIFICATIONS

Series 170 Stamped Fixed Face



Size	Area (AK)	(SQ FT)	CFM																	
			150	200	300	400	500	600	700	800	900	1000	1200	1500	2000	2500	3000	3500		
20 x 20 (24 x 16) (28 x 18)	2.5	-PT VK							.011	.017	.022	.027	.040	.057	.071					
30 x 14 (36 x 12) (24 x 18)	2.65	-PT VK								.012	.016	.020	.031	.046	.065	.087				
24 x 20 30 x 16	2.93	-PT VK							.009	.011	.013	.020	.036	.053	.071					
30 x 18 (36 x 14)	3.3	-PT VK										.010	.014	.024	.040	.060				
24 x 24 36 x 16	3.6	-PT VK										.008	.012	.021	.031	.050				
30 x 20 (36 x 18)	3.8	-PT VK											.009	.017	.027	.046	.061			
30 x 24 36 x 20	4.75	-PT VK												.008	.018	.031	.047	.059		
30 x 30 (36 x 24)	5.7	-PT VK													.006	.015	.022	.038	.052	
36 x 30	6.8	-PT VK														.005	.014	.020	.033	.040
36 x 36	8.2	-PT VK															.012	.018	.029	.034
																	.244	.305	.366	.427

Velocities are measured 1" from grille face. Multiple readings are taken across face (minimum 4 readings) to ensure averaged velocities. See Figure #2 on page 103 showing position of 2220A or 6070P velometer jet. Pressure reading (-PT) is negative.

These charts are based upon 1/2" louvers set at a 35° angle from the vertical position.

SIZE (NOMINAL)		
WIDTH	HEIGHT	FREE AREA (IN. ²)
6	4	15
6	6	24
6	8	33
6	10	41
6	12	50
6	14	59
6	18	76
6	20	85
6	24	102
8	4	21
8	6	33
8	8	45
8	10	57
8	12	69
8	14	81
8	16	93
8	18	105
8	20	117
8	24	141
8	30	177
8	36	213
10	4	25
10	6	39
10	8	53
10	10	67
10	12	81
10	14	95
10	16	110
10	18	124
10	20	138
10	24	166
10	30	208
10	36	251
12	4	30
12	6	48
12	8	65
12	10	83
12	12	100
12	14	118
12	16	135
12	18	152
12	20	170
12	24	205
12	30	257
12	36	309
14	4	36
14	6	57
14	8	78
14	10	98
14	12	119
14	14	140
14	16	160
14	18	181
14	20	202
14	24	243
14	25	253
14	28	284
14	30	305
14	36	367
16	4	42

SIZE (NOMINAL)		
WIDTH	HEIGHT	FREE AREA (IN. ²)
16	6	66
16	8	90
16	10	114
16	12	138
16	14	162
16	16	186
16	18	210
16	20	234
16	24	282
16	25	294
16	28	329
16	30	353
16	32	377
16	36	425
18	4	46
18	6	72
18	8	98
18	10	124
18	12	150
18	14	176
18	16	202
18	18	271
18	20	303
18	24	307
18	25	320
18	28	359
18	30	458
18	36	551
20	4	49
20	6	78
20	8	106
20	10	134
20	12	163
20	14	191
20	16	219
20	18	247
20	20	276
20	24	332
20	25	346
20	28	389
20	30	417
20	32	445
20	36	502
24	2	26
24	2	35
24	4	61
24	6	96
24	8	131
24	10	165
24	12	200
24	14	235
24	16	270
24	18	305
24	20	339
24	24	409
24	26	444
24	28	479
24	30	514
24	36	618
25	6	97

SIZE (NOMINAL)		
WIDTH	HEIGHT	FREE AREA (IN. ²)
25	8	132
25	10	168
25	12	203
25	14	238
25	16	274
25	18	309
25	20	344
25	24	415
25	25	433
25	30	521
28	4	72
28	6	114
28	8	155
28	10	197
28	12	238
28	14	279
28	16	321
28	18	362
28	20	403
28	24	486
28	28	569
28	30	610
30	2	33
30	2	44
30	4	76
30	6	120
30	8	163
30	10	207
30	12	250
30	14	294
30	16	337
30	18	381
30	20	424
30	24	511
30	25	533
30	28	598
30	30	642
30	36	773
32	8	180
32	20	467
32	25	587
36	4	91
36	6	144
36	8	196
36	10	248
36	12	300
36	14	353
36	16	405
36	18	457
36	20	509
36	24	614
36	28	718
36	30	770
36	36	927
40	20	584

Denotes special manufactured housing models that have one extra row of louvers.

These charts are based upon 1/3" louvers set at a 20° angle from the vertical position.

SIZE (NOMINAL)		
WIDTH	HEIGHT	FREE AREA (IN. ²)
6	4	18
6	6	28
6	8	38
6	10	48
6	12	58
6	14	68
6	18	88
6	20	98
6	24	118
8	4	25
8	6	39
8	8	53
8	10	66
8	12	80
8	14	94
8	16	108
8	18	121
8	20	135
8	24	163
8	30	204
8	36	245
10	4	30
10	6	46
10	8	62
10	10	78
10	12	95
10	14	111
10	16	127
10	18	143
10	20	159
10	24	192
10	30	240
10	36	289
12	4	37
12	6	57
12	8	77
12	10	97
12	12	116
12	14	136
12	16	156
12	18	176
12	20	196
12	24	236
12	30	296
12	36	356
14	4	43
14	6	67
14	8	91
14	10	115
14	12	138
14	14	162
14	16	186
14	18	210
14	20	233
14	24	281
14	25	293
14	28	328
14	30	352
14	36	423
16	4	50

SIZE (NOMINAL)		
WIDTH	HEIGHT	FREE AREA (IN. ²)
16	6	78
16	8	105
16	10	133
16	12	160
16	14	188
16	16	215
16	18	243
16	20	270
16	24	325
16	25	339
16	28	380
16	30	408
16	32	435
16	36	490
18	4	55
18	6	85
18	8	115
18	10	145
18	12	175
18	14	205
18	16	235
18	18	265
18	20	295
18	24	354
18	25	369
18	28	414
18	30	444
18	36	534
20	4	59
20	6	92
20	8	124
20	10	157
20	12	189
20	14	222
20	16	254
20	18	286
20	20	319
20	24	384
20	25	400
20	28	448
20	30	481
20	32	513
20	36	578
24	2	33
24	2	35
24	4	73
24	6	113
24	8	153
24	10	193
24	12	233
24	14	273
24	16	313
24	18	353
24	20	393
24	24	473
24	26	512
24	28	552
24	30	592
24	36	712
25	6	115

SIZE (NOMINAL)		
WIDTH	HEIGHT	FREE AREA (IN. ²)
25	8	155
25	10	196
25	12	236
25	14	277
25	16	317
25	18	358
25	20	398
25	24	480
25	25	500
25	30	601
28	4	87
28	6	134
28	8	182
28	10	229
28	12	277
28	14	324
28	16	372
28	18	419
28	20	467
28	24	562
28	28	656
28	30	704
30	2	42
30	2	44
30	4	92
30	6	141
30	8	191
30	10	241
30	12	291
30	14	341
30	16	391
30	18	441
30	20	491
30	24	591
30	25	616
30	28	691
30	30	740
30	36	890
32	8	211
32	20	541
32	25	678
36	4	110
36	6	170
36	8	230
36	10	290
36	12	349
36	14	409
36	16	469
36	18	529
36	20	589
36	24	709
36	28	829
36	30	889
36	36	1068
40	20	676

Denotes special manufactured housing models that have one extra row of louvers.

FIXED BAR GRILLE

- Extruded aluminum construction
- Horizontal louvers fixed at 45° angle
- Aluminum or white finish

APPLICATIONS

Series E 280 return grille is ideal for commercial or residential construction. Can also be used as an economical supply grille.



EXTRUDED ALUMINUM

E 280

FIXED BAR GRILLE

- Extruded aluminum construction
- Horizontal louvers fixed at 45° angle
- Aluminum or white finish

APPLICATIONS

Series E 280 return grille is ideal for commercial or residential construction. Can also be used as an economical supply grille.



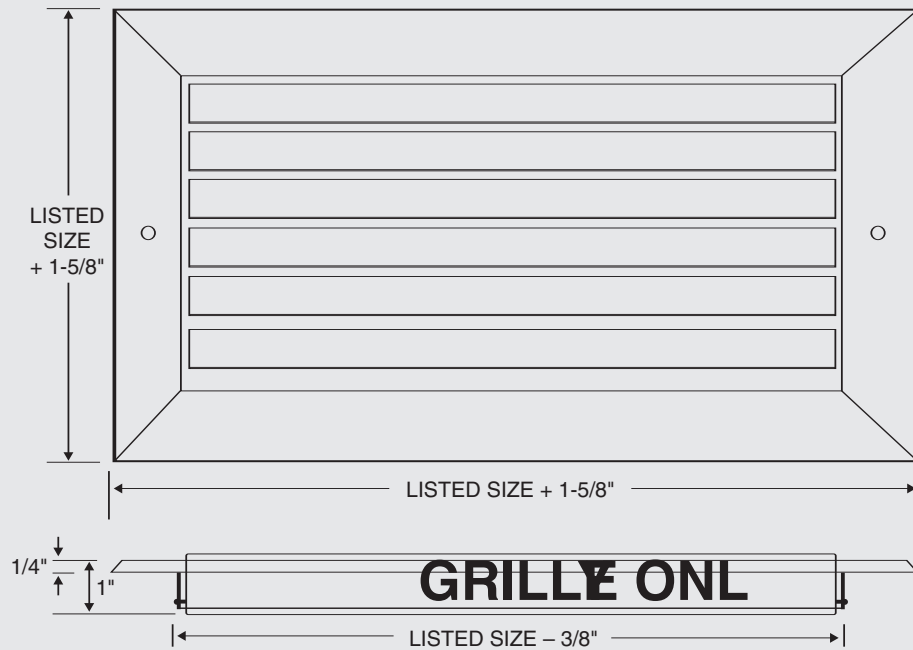
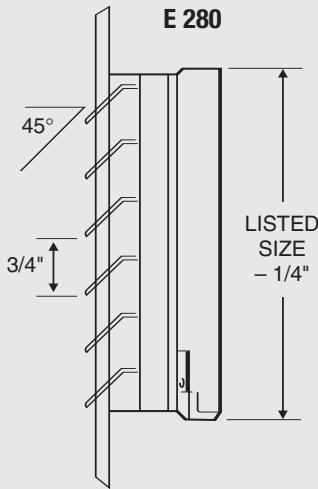
EXTRUDED ALUMINUM

E 280 4-HOLE

Dimensional Information

MODEL

E 280



RETURN AIR