



ECO-VALVE

Figure # 5015AB

Low Lead Brass Pex End Ball Valve

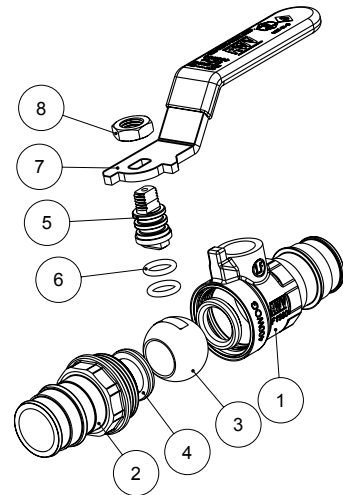
Product Features

- * 400# WOG
- * Brass Body
- * Regular Port
- * Virgin PTFE Seats
- * For use with PEX Tubing
- * Barb x Barb
- * Blow-Out Proof Stem
- * Double NBR O-ring Packing
- * ASTM F1960
- * NSF 61 & NSF 372 Certified



with Drain port (5015ABD)
with Wing handle (5015ABW)

Pressure/Temperature Rating	
300 psi from 15°F to 160°F	150 psi MAX at 200°F

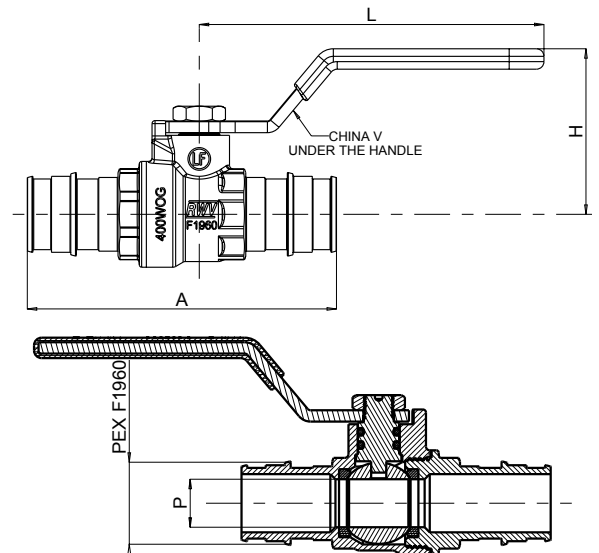


Materials & Specifications

Item	Description	Material	Specification
1	Body	Low Lead Brass	UNS C27453
2	End piece	Low Lead Brass	UNS C27453
3	Ball	Low Lead Brass/Cr Plated	UNS C27453
4	Seat	PTFE	PTFE
5	Stem	Low Lead Brass	UNS C27453
6	O-ring	NBR	NBR
7	Handle	Steel/Dc plated	ASTM A36
8	Nut	Steel/Zn plated	ASTM A36

Dimensions, Weights (inches-lbs.) & Valve Data

Size	1/2	3/4	1	1-1/4	1-1/2	2	2-1/2	3
A	2.48	3.23	3.86	4.63	5.63	6.67	8.96	10.81
H	1.38	1.77	1.77	2.03	2.24	2.70	3.07	3.90
L	3.19	3.58	3.58	4.96	4.96	5.55	5.55	7.91
P	0.39	0.50	0.73	0.94	1.22	1.46	1.95	2.44
Wt	0.27	0.44	0.67	1.19	1.68	2.80	5.13	9.04



RED-WHITE VALVE CORP.

20600 Regency Lane, Lake Forest, CA 92630

TEL: 949.859.1010 • FAX: 949.859.7200 • www.redwhitevalvecorp.com

(160120)