

# Frost Free Silcock with Vacuum Breaker



*The Right Choice...*

## TECHNICAL DATA

**DESCRIPTION:**

- (1) 1/2" MIP x 1/2" CxC
- (2) MHT Outlet
- (3) Large Wheel Handle
- (4) Notched

**CONSTRUCTION:** Heavy Brass Construction

**APPROVALS:** CSA and UPC

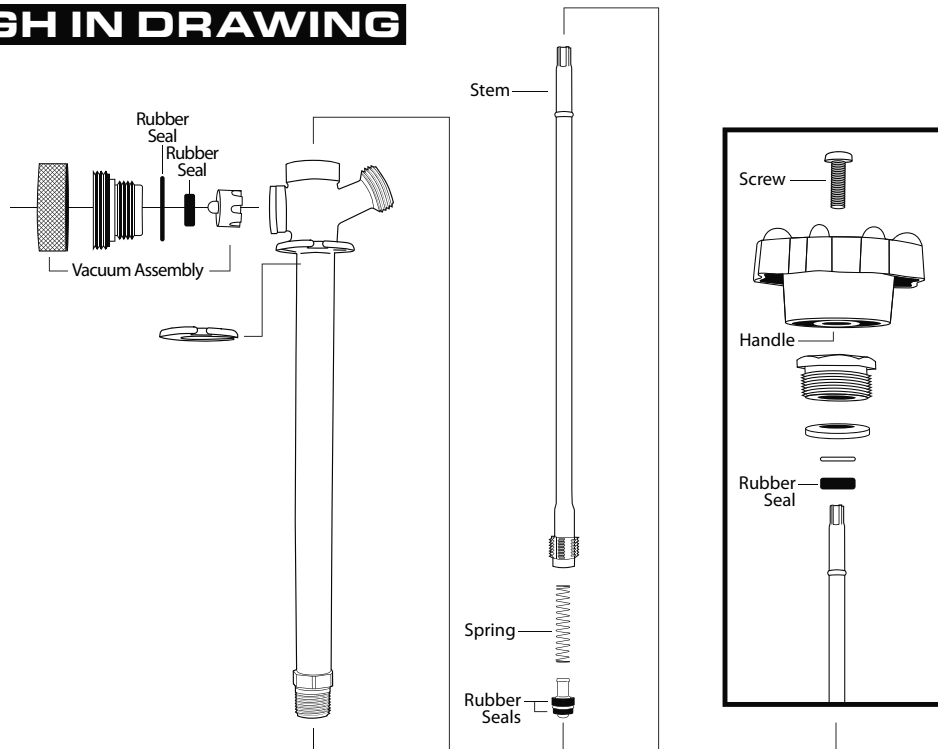
**PACKAGING:**  
Bulk with Hang Tag

**BRAND:** Eastman®

PART#	DESCRIPTION	INNER	MASTER
80230	4"	2	24
80226	6"	2	24
80227	10"	2	24
80228	12"	2	24

Country of Origin **INDONESIA**

### ROUGH IN DRAWING



**ALL DIMENSIONS SHOWN ARE NOMINAL**