

MODEL R LARGE DIAMETER TYPE B GAS VENT

INTRODUCTION	2
PIPE SECTIONS	3
ADJUSTABLE LENGTH	3
45° ELBOW	4
TEE	4
TEE CAP	4
CAP	5
DRAFT HOOD CONNECTOR	6
INCREASER	6
SUPPORT BRACKET ASSEMBLY	7
VENT COLLAR	7
WALL THIMBLE	7
SUPPORT PLATE	7
STANDARD FLASHING	8
TALL CONE FLASHING	8
ADJUSTABLE STORM COLLAR	8
GAS VENT TERMINATION TABLE	9
GAS VENT OFFSETS TABLE	9
SYSTEM DESIGN AND INSTALLATION GUIDES	10
TYPICAL INSTALLATIONS	11
WARRANTY	12


Selkirk Model R Large Diameter Type B Gas Vent was designed with the installer in mind and to endure the elements. Lightweight construction with a small footprint, Selkirk Model R will deliver when space is tight but performance is essential. Easy to connect and assemble, you can count on a secure fit when installing Selkirk Model R



Selkirk's Model R Type B Gas Vent is listed and approved by UL for residential, commercial, and industrial applications. Selkirk Model R provides a continuous passageway from a Category 1 gas appliance, such as water heaters, boilers, and furnaces, to the termination of the vent above the roof of a structure.

Some of the safety features within Model R includes:

- Double wall construction with ½" air space
- Clearance to combustibles standards of:
 - 1" in the United States for all diameters
 - 1" in Canada for diameters 10" to 24"
 - 2" in Canada for diameters 26" to 30"
- Galvanized steel outer wall construction for exceptional corrosion resistance *exterior applications must be painted in Canada*
- Aluminum inner wall construction to keep flue gases hot



Model R is to be installed in single and multi-story buildings in accordance with the following Natural Gas & Propane Codes:
 USA: NFPA 54
 CANADA: CAN/CSA B149.1 & .2

Selkirk Model R is accepted by: AGA, NFPA, HUD, NBC, UBC



Why Selkirk Model R?

Lightweight

We keep the connections clean to reduce the weight of the pipe making installation a SNAP (twist–snap that is).

Smaller footprint

Clean connections coupled with a ½" air space tighten the diameter of the pipe to create a solid connection suitable for tight spaces.

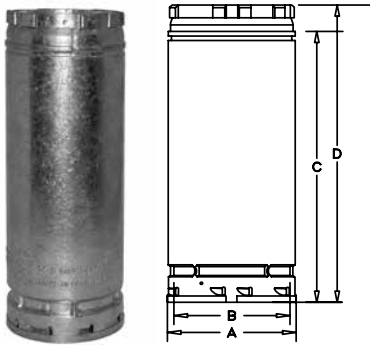
Easy to connect

Model R's snap lock coupling system creates a secure, confident connection. Simply align the seams, twist, and SNAP – ready to go!

Backed by an exceptional warranty

We are so confident in Selkirk Model R's ability to satisfy, we've backed it by the industry's finest warranty, the Smart Choice Warranty.

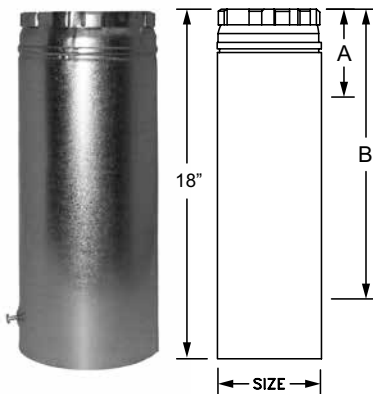
Round Pipe



- To calculate installed height, deduct 1" for each joint.

Size	Code	Part #	O.D. (A)	I.D. (B)	C	D
10"	2003617	10R3-S	11"	10"	35"	36"
	2003616	10R24-S	11"	10"	23"	24"
	2003615	10R18-S	11"	10"	17"	18"
	2003614	10R12-S	11"	10"	11"	12"
12"	2003636	12R3-S	13"	12"	35"	36"
	2003635	12R24-S	13"	12"	23"	24"
	2003634	12R18-S	13"	12"	17"	18"
	2003633	12R12-S	13"	12"	11"	12"
14"	2003674	14R3-S	15"	14"	35"	36"
	2003673	14R24-S	15"	14"	23"	24"
	2003672	14R18-S	15"	14"	17"	18"
	2003671	14R12-S	15"	14"	11"	12"
16"	2003692	16R3-S	17"	16"	35"	36"
	2003691	16R24-S	17"	16"	23"	24"
	2003690	16R18-S	17"	16"	17"	18"
	2003689	16R12-S	17"	16"	11"	12"
18"	2003710	18R3-S	19"	18"	35"	36"
	2003709	18R24-S	19"	18"	23"	24"
	2003708	18R18-S	19"	18"	17"	18"
	2003707	18R12-S	19"	18"	11"	12"
20"	2003728	20R3-S	21"	20"	35"	36"
	2003727	20R24-S	21"	20"	23"	24"
	2003726	20R18-S	21"	20"	17"	18"
	2003725	20R12-S	21"	20"	11"	12"
22"	2003746	22R3-S	23"	22"	35"	36"
	2003745	22R24-S	23"	22"	23"	24"
	2003744	22R18-S	23"	22"	17"	18"
	2003743	22R12-S	23"	22"	11"	12"
24"	2003764	24R3-S	25"	24"	35"	36"
	2003763	24R24-S	25"	24"	23"	24"
	2003762	24R18-S	25"	24"	17"	18"
	2003761	24R12-S	25"	24"	11"	12"
26"	2003781	26R3-S	27"	26"	35"	36"
	2003780	26R24-S	27"	26"	23"	24"
	2003779	26R18-S	27"	26"	17"	18"
	2003778	26R12-S	27"	26"	11"	12"
28"	2003797	28R3-S	29"	28"	35"	36"
	2003796	28R24-S	29"	28"	23"	24"
	2003795	28R18-S	29"	28"	17"	18"
	2003794	28R12-S	29"	28"	11"	12"
30"	2003812	30R3-S	31"	30"	35"	36"
	2003811	30R24-S	31"	30"	23"	24"
	2003810	30R18-S	31"	30"	17"	18"
	2003809	30R12-S	31"	30"	11"	12"

Adjustable Length



- Adjustable length telescopes into standard pipe sections to reach desired length.

Code	Part #	Size	Min. Length A	Max. Length B
2003618	10R18A-S	10"	3"	16"
2003637	12R18A-S	12"	3"	16"
2003675	14R18A-S	14"	5"	16"
2003693	16R18A-S	16"	5"	16"
2003711	18R18A-S	18"	5"	16"
2003729	20R18A-S	20"	5"	16"
2003747	22R18A-S	22"	5"	16"
2003765	24R18A-S	24"	5"	16"
2003782	26R18A-S	26"	5"	16"
2003798	28R18A-S	28"	5"	16"
2003951	30R18A-S	30"	5"	16"